

RSZS02

connection accessories, Harmony
Electromechanical Relays, bus jumper, 2 poles,
for RXZ, RGZ, RSZ push in sockets



Main

Range of Product	Harmony Electromechanical Relays
Accessory / separate part category	Connection accessories
Product or Component Type	Bus jumper
Sale per indivisible quantity	10

Complementary

Product compatibility	Socket RXZE14P Socket RSZE05P Socket RXZE08P Socket RGZE05P Socket RGZE08P
[Ith] conventional free air thermal current	2 A
Length	0.73 in (18.5 mm)
Width	0.49 in (12.5 mm)
Height	0.02 in (0.6 mm)
Net Weight	0.00 lb(US) (0.002 kg)

Ordering and shipping details

Category	21128-ZELIO ICE CUBE RELAY ACCESSORIES
Discount Schedule	CP2
GTIN	3606481465757
Returnability	No

Packing Units

Unit Type of Package 1	PCE
Number of Units in Package 1	1
Package 1 Height	1.00 in (2.54 cm)
Package 1 Width	1.00 in (2.54 cm)
Package 1 Length	1.00 in (2.54 cm)
Package 1 Weight	0.03 oz (0.907 g)
Unit Type of Package 2	BB1
Number of Units in Package 2	10
Package 2 Height	0.39 in (1 cm)
Package 2 Width	2.17 in (5.5 cm)
Package 2 Length	3.15 in (8 cm)
Package 2 Weight	0.88 oz (25 g)
Unit Type of Package 3	S01
Number of Units in Package 3	1500
Package 3 Height	5.91 in (15 cm)
Package 3 Width	5.91 in (15 cm)

Package 3 Length	15.75 in (40 cm)
Package 3 Weight	7.05 lb(US) (3.2 kg)

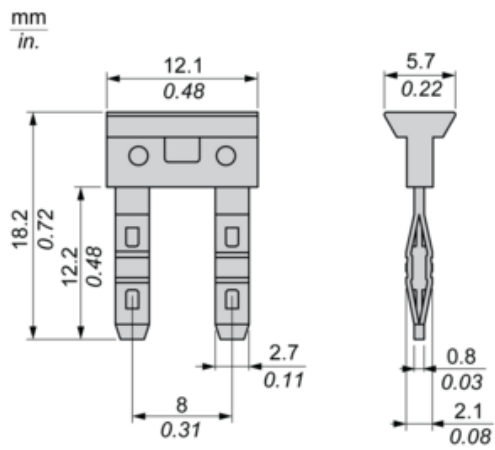
Offer Sustainability

California proposition 65	WARNING: This product can expose you to chemicals including: Lead and lead compounds, which is known to the State of California to cause cancer and birth defects or other reproductive harm. For more information go to www.P65Warnings.ca.gov
REACH Regulation	REACH Declaration
REACH free of SVHC	Yes
EU RoHS Directive	Pro-active compliance (Product out of EU RoHS legal scope) EU RoHS Declaration
Toxic heavy metal free	Yes
Mercury free	Yes
China RoHS Regulation	China RoHS Declaration
RoHS exemption information	Yes
WEEE	The product must be disposed on European Union markets following specific waste collection and never end up in rubbish bins.

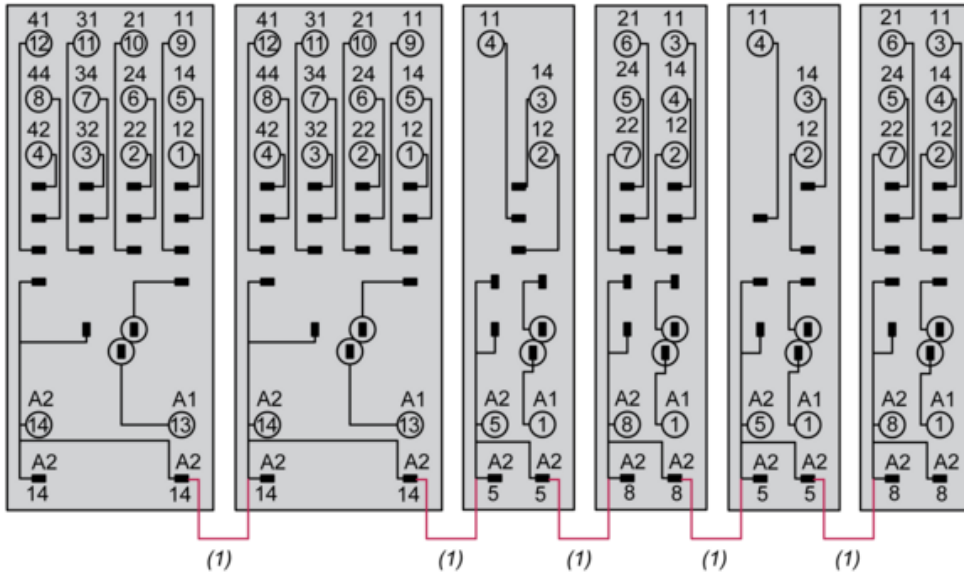
Contractual warranty

Warranty	18 months
----------	-----------

Dimensions



Wiring



(1) : RSZS02

NOTE: For input A2 only