

NetKey® Modular Patch Panels with Faceplates

specifications

Modular patch panels shall consist of a metal panel with molded snap-in faceplates which can be front releasable. Patch panels shall accept all NetKey® Modules for UTP, fiber, or A/V applications and shall mount to standard 19" racks. Patch panels shall be available in 24 and 48-port standard density. Angled patch panels shall be designed at an optimum angle to help route the cable.



technical information

Mounting options:	Mounts to standard EIA 19" racks or 23" racks with optional extender brackets
Material:	Stamping is CRS and faceplate is ABS
Packaging:	Packaged with appropriate pre-installed snap-in faceplates, a set of mounting screws (#12-24), and label/label cover where applicable

key features and benefits

Removable faceplates	Allow front accessibility to installed modules for easy moves, adds, and changes
Modular	Accepts all Panduit® NetKey® Modules to mix and match media types in the same panel
Angled design	Allows cable to flow to each side of the rack and minimizes the need for horizontal cable managers by enabling patch cords to be routed directly into vertical cable managers which leads to increased closet density
Optional label	Available with and without labels to accommodate various needs
Optional strain relief bars	Help support and manage cables
Optional filler panels	Fill unused rack openings to provide a clean and consistent look

applications

NetKey® Modular Patch Panels are ideal for multi-media applications; they accept all NetKey® Modules, which can be accessed through the front of the panel to snap in and out for easy moves, adds, and changes. Various styles and port densities available to fit most needs; labeling feature available

on select styles. Angled patch panels are available for applications in which rack space is limited. The design allows cable to flow to each side of the rack, minimizing the need for horizontal cable managers and increasing the density of the rack space.

Patch Panels with Labels

24-port, 1 RU,
includes six
NK4MFL
labeled faceplates: NKFP24

48-port, 2 RU,
includes twelve
NK4MFL
labeled faceplates: NKFP48

Patch Panels without Labels

24-port, 1 RU,
includes six
NK4MF faceplates: NKFP24Y

48-port, 2 RU,
includes twelve
NK4MF faceplates: NKFP48Y

Angled Patch Panels without Labels

24-port, 1 RU,
includes six
NK4MF faceplates: NKFPA24

48-port, 2 RU,
includes twelve
NK4MF faceplates: NKFPA48

Strain Relief Bars

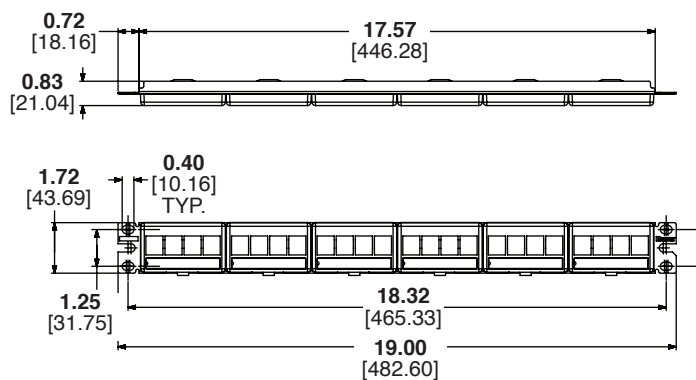
Straight:	SRBS19BL-XY
Extended, 2":	SRB19BLY
With hook and loop ties:	SRBM19BLY
With adjustable clips:	SRBWCY
Deep, 5":	SRB19D5BLY
Deep, 7":	SRB19D7BLY
Multi-depth:	SRB19MDBL

Extender Brackets

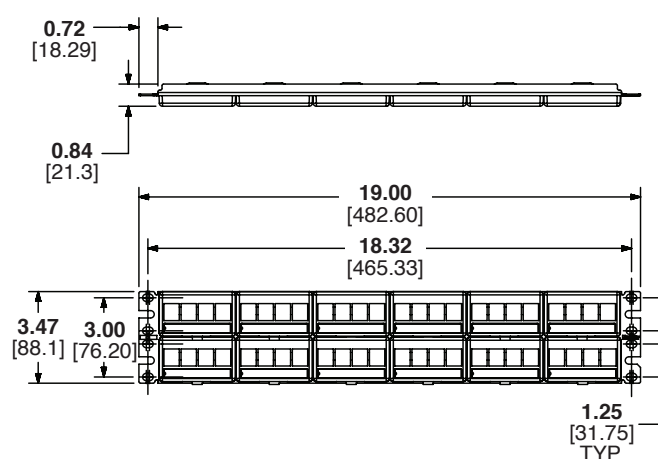
1 RU:	PEB1
2 RU:	PEB2

NetKey® Modular Patch Panels with Faceplates

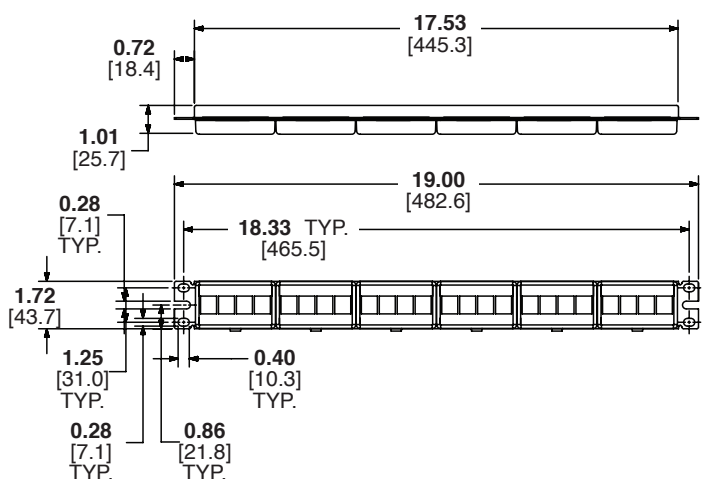
NKFPL24



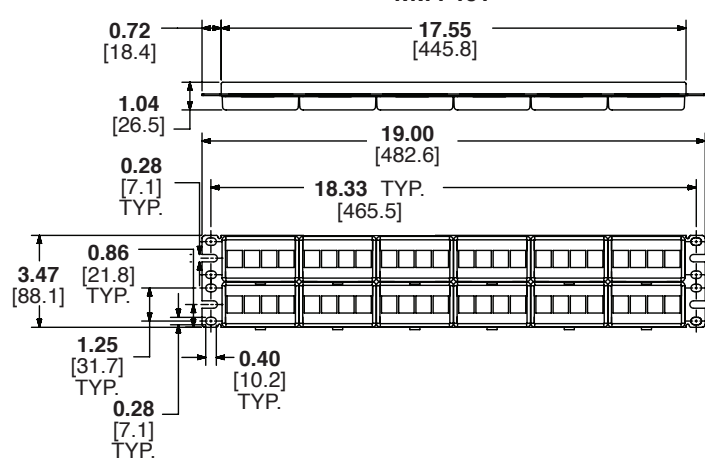
NKFPL48



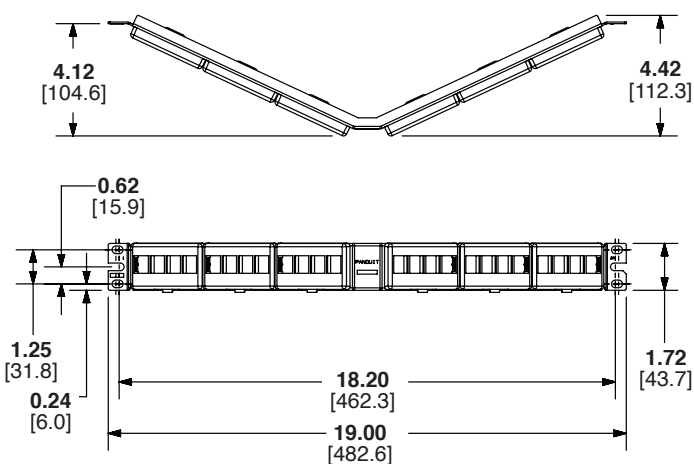
NKFP24Y



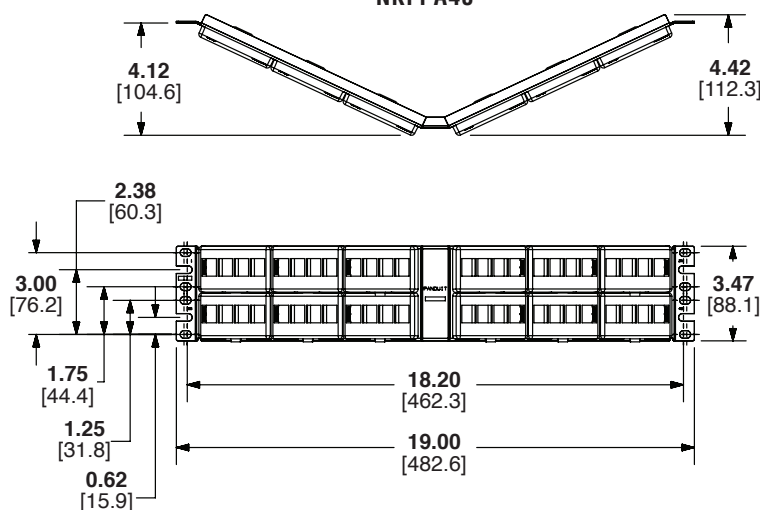
NKFP48Y



NKFPA24



NKFPA48



Dimensions are in inches. [Dimensions in brackets are metric].

WORLDWIDE SUBSIDIARIES AND SALES OFFICES

PANDUIT US/CANADA
Phone: 800.777.3300

PANDUIT EUROPE LTD.
London, UK
Phone: 44.20.8601.7200

PANDUIT SINGAPORE PTE. LTD.
Republic of Singapore
Phone: 65.6305.7575

PANDUIT JAPAN
Tokyo, Japan
Phone: 81.3.6863.6000

PANDUIT LATIN AMERICA
Guadalajara, Mexico
Phone: 52.33.3777.6000

PANDUIT AUSTRALIA PTY. LTD.
Victoria, Australia
Phone: 61.3.9794.9020

For a copy of Panduit product warranties, log on to www.panduit.com/warranty



For more information
Visit us at www.panduit.com
Contact Customer Service by email: cs@panduit.com
or by phone: 800.777.3300

©2020 Panduit Corp.
ALL RIGHTS RESERVED.
NKSP66--WW-ENG
7/2020