



Main

| | |
|---------------------------|-------------------------|
| Range of product | Magelis XBTN |
| Product or component type | Small panel with keypad |
| Display resolution | 122 x 32 pixels |
| Software type | Configuration software |
| Software designation | Vijeo Designer Lite |
| Operating system | Magelis |

Complementary

| | |
|--------------------------------|---|
| Display type | Extra-bright matrix backlit LCD |
| Display colour | Green |
| Character font | Greek Katakana Chinese (simplified Chinese) Cyrillic ASCII |
| [Us] rated supply voltage | 24 V DC |
| Supply | External source |
| Supply voltage limits | 18...30 V |
| Residual ripple | 1200 mV |
| Maximum power consumption in W | 5 W |
| Number of key | 8 |
| Number of fixed keys | 4 |
| Number of customisable keys | 4 |
| Number of pages | 200 application pages 256 alarm pages |
| Memory type | Flash |
| Memory capacity | 512 kB |
| Integrated connection type | Power supply removable screw terminal block Serial link female SUB-D 25, asynchronous RS232C/RS485)multidrop |
| Realtime clock | Access to the PLC real-time clock |
| Product mounting | Flush mounting |
| Fixing mode | By 2 spring clips |
| Display material | Polyester |
| Front material | PPT |
| Keypad material | Polyester |
| Marking | CE |
| Maximum Width | 5.20 in (132 mm) |
| Height | 2.91 in (74 mm) |
| Depth | 1.69 in (43 mm) |
| Cut-out dimensions | 119.4 (+/- 0.5) x 63 (+/- 0.4) mm |
| Net Weight | 0.84 lb(US) (0.38 kg) |

Environment

| | |
|---------------------------------------|--|
| Messages display capacity | 1 line of 5 characters minimum 4 lines of 20 characters maximum |
| Downloadable protocols | Modbus Third party protocols Uni-TE |
| Standards | CSA C22.2 No 14 IEC 61131-2 IEC 60068-2-27 IEC 60068-2-6 UL 508 |
| Product certifications | ATEX zone 2/22 UL Class 1 Division 2 UL 1604 CSA Class 1 Division 2 |
| Ambient air temperature for operation | 32...131 °F (0...55 °C) |
| Ambient air temperature for storage | -4...140 °F (-20...60 °C) |
| Relative humidity | 0...85 % without condensation |
| IP degree of protection | IP20 IEC 60529 rear panel) IP65 IEC 60529 front panel) |
| NEMA degree of protection | NEMA 4X front panel outdoor use) |
| Shock resistance | 15 gn 11 ms |
| Vibration resistance | +/- 3.5 mm 2...8.45 Hz) 1 gn 8.45...150 Hz) |

Ordering and shipping details

| | |
|-----------------------|--|
| Category | 22570 - MAGELIS TEXT DISPLAYS & ACCESS |
| Discount Schedule | MC2 |
| GTIN | 00785901425199 |
| Nbr. of units in pkg. | 1 |
| Package weight(Lbs) | 1 lb(US) (0.45 kg) |
| Returnability | No |
| Country of origin | CN |

Packing Units

| | |
|------------------|----------|
| Package 1 Height | 0.460 dm |
| Package 1 width | 1.630 dm |
| Package 1 Length | 2.350 dm |

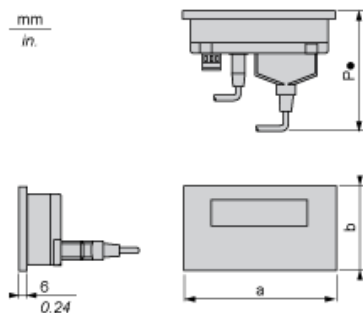
Offer Sustainability

| | |
|----------------------------|---|
| California proposition 65 | WARNING: This product can expose you to chemicals including: Lead and lead compounds, which is known to the State of California to cause cancer and birth defects or other reproductive harm. For more information go to www.P65Warnings.ca.gov |
| REACH Regulation |  REACH Declaration |
| REACH free of SVHC | Yes |
| EU RoHS Directive | Pro-active compliance (Product out of EU RoHS legal scope)  EU RoHS Declaration |
| Mercury free | Yes |
| RoHS exemption information |  Yes |
| China RoHS Regulation |  China RoHS Declaration |
| WEEE | The product must be disposed on European Union markets following specific waste collection and never end up in rubbish bins. |

Contractual warranty

| | |
|----------|-----------|
| Warranty | 18 months |
|----------|-----------|

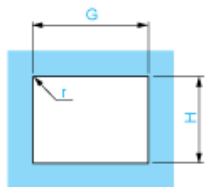
Dimensions



| a | | b | | b1 (1) | | P3 (2) | | P4 (3) | |
|-----|------|----|-----|--------|------|--------|------|--------|------|
| mm | in. | mm | in. | mm | in. | mm | in. | mm | in. |
| 132 | 5.19 | 74 | 3 | 104 | 4.09 | 58 | 2.28 | 104 | 4.09 |

- (1) With fixing clips (included with product)
 (2) P3: depth with 25-way SUB-D angled cable XBTZ9680 (for Twido, TSX Micro and Premium) or XBTZ998 (for Modicon STB)
 (3) P4: depth with 25-way SUB-D cable XBTZ68/Z9681 (for Twido, TSX Micro and Premium)

Cut-out for Flush Mounting



Panel thickness = 1.5...6 mm / 0.05...0.23 in.

| H | | G | | r max. | |
|---------|-----------|---------|-----------|--------|------|
| ±0.4 mm | ±0.02 in. | ±0.5 mm | ±0.02 in. | mm | in. |
| 63 | 2.48 | 119.4 | 5 | 1.5 | 0.05 |