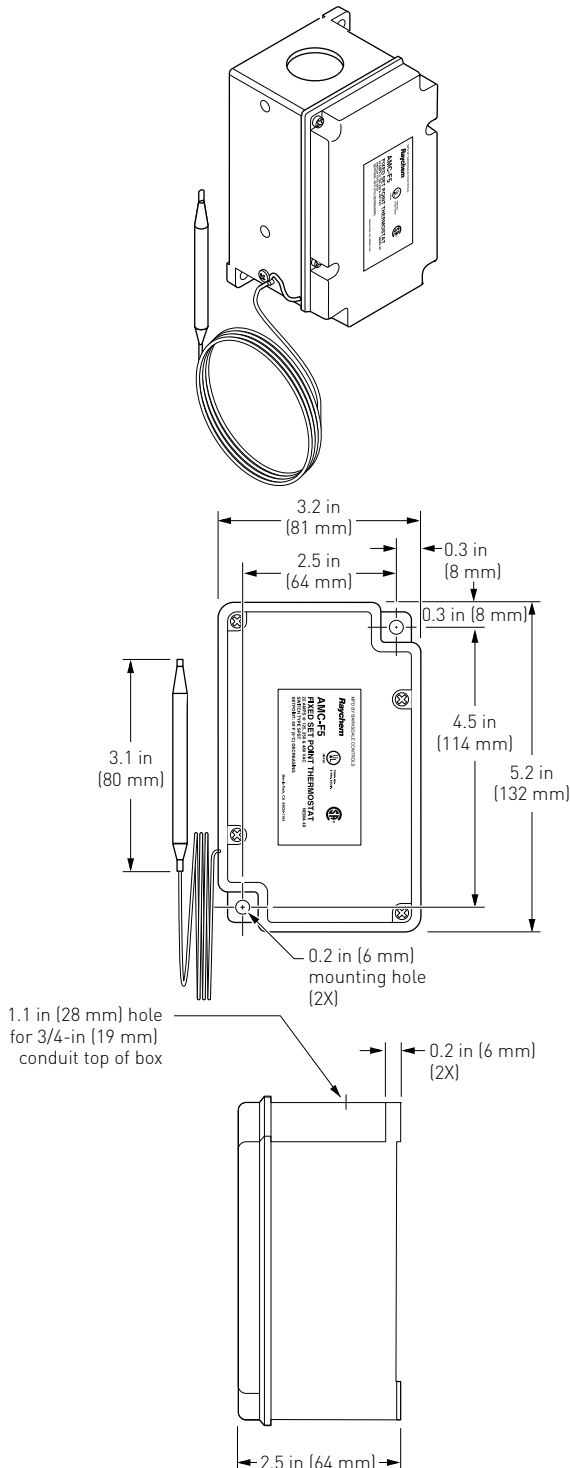


# Raychem AMC-F5

## FIXED SET POINT FREEZE PROTECTION THERMOSTAT

For nonhazardous locations



### PRODUCT OVERVIEW

The Raychem AMC-F5 thermostat is designed to control heat-tracing systems used for freeze protection in nonhazardous locations. The thermostat has a fixed set point of 40°F (5°C) and can be used for ambient-sensing or line-sensing. It can be used to control a single heat-tracing circuit or as a pilot control of a contactor switching multiple heat-tracing circuits.

### SPECIFICATIONS

|                         |                                                              |
|-------------------------|--------------------------------------------------------------|
| Enclosure               | NEMA 4X, UV-resistant thermoplastics                         |
| Entries                 | One 3/4-in (19 mm) through hole                              |
| Set point               | 40°F (5°C) nonadjustable                                     |
| Sensor exposure limits  | -30°F to 140°F (-34°C to 60°C)                               |
| Housing exposure limits | -30°F to 140°F (-34°C to 60°C)                               |
| Switch                  | SPST                                                         |
| Electrical rating       | 22 A at 125 / 250 / 480 Vac                                  |
| Accuracy                | ±3°F (±1.7°C)                                                |
| Deadband                | 2°F to 12°F (1.1°C to 6.7°C) above actuation temperature     |
| Set point repeatability | ±3°F (±1.7°C)                                                |
| Sensor type             | Fluid-filled (silicone) bulb and 2.5 ft (0.8 m) capillary    |
| Sensor material         | Tin-plated copper                                            |
| Connection              | Two 14 AWG (2 mm <sup>2</sup> ) pigtails<br>One ground screw |

### APPROVALS





[WWW.PENTAIRTHERMAL.COM](http://WWW.PENTAIRTHERMAL.COM)

**NORTH AMERICA**

Tel: +1.800.545.6258  
Fax: +1.800.527.5703  
Tel: +1.650.216.1526  
Fax: +1.650.474.7711  
[thermal.info@pentair.com](mailto:thermal.info@pentair.com)

**EUROPE, MIDDLE EAST, AFRICA**

Tel: +32.16.213.511  
Fax: +32.16.213.603  
[thermal.info@pentair.com](mailto:thermal.info@pentair.com)

**ASIA PACIFIC**

Tel: +86.21.2412.1688  
Fax: +86.21.5426.2937  
[cn.thermal.info@pentair.com](mailto:cn.thermal.info@pentair.com)

**LATIN AMERICA**

Tel.: +1.713.868.4800  
Fax: +1.713.868.2333  
[thermal.info@pentair.com](mailto:thermal.info@pentair.com)

Pentair and AMC are owned by Pentair or its global affiliates. All other trademarks are the property of their respective owners. Pentair reserves the right to change specifications without prior notice.

© 1995–2015 Pentair.

@pentairTBS