

EBM-2L

MINIATURE LED PLASTIC BATTERY UNIT

120/277 VAC



The EBM-2L series of battery units is designed using a flame retardant plastic enclosure and utilizes a quick connector for easy installation. The EBM-2L provides emergency light thanks to two fully adjustable glare-free shape light heads and offers a remote capacity for one dedicated remote (RMM2 only).

FEATURES & SPECIFICATIONS

CIRCUITRY



- LED ultra-bright light source
- 120/277 VAC Input, field selectable
- Power consumption: 120V/0.06A/0.4W or 277V/0.07A/0.5W
- 3.6V maintenance free Ni-CAD battery
- 90 minutes emergency lighting duration
- 3.6V 1W long life LED light source, 6000K
- Remote capacity for one dedicated remote (RMM2 only)

MECHANICAL

- Injection molded thermo-plastic housing
- Suitable for damp location
- Fully adjustable lamp holder location
- White color is standard
- Solid state transfer and battery charger
- Wall and ceiling mount installations

APPROVALS

- Meets or exceeds CSA C22.2 #141-10

OVERVIEW	
LIGHT SOURCE	LED
INPUT VOLTAGE	120/277VAC
POWER CONSUMPTION	120V/0.06A/0.4W OR 277V/0.07A/0.5W
 LED 	

For complete warranty details, please see our terms and conditions on our website.

Data is based upon tests performed in a controlled environment. Actual performance can vary depending on operating conditions. All products are subject to change or may be discontinued any time without notice.

EBM-2L

ORDERING GUIDE

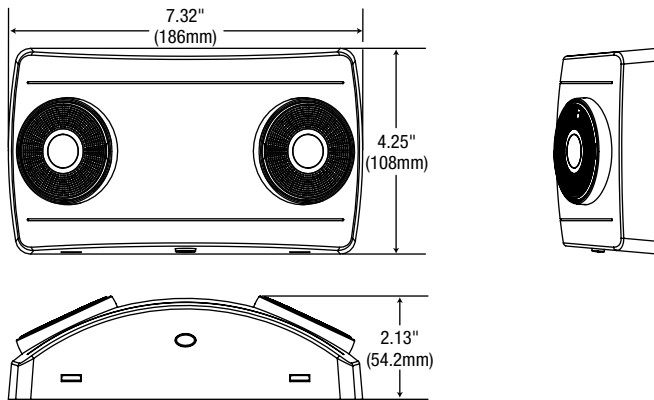
EBM-2L

SERIES

EBM-2L¹

¹ The EBM-2L series cannot be combined with other AimLite products on the same emergency A.C. circuit.

DIMENSIONS



Project _____
Catalogue n° _____

Type _____
Date _____

 AimLite

RMM2 DEDICATED LED REMOTE

**FULLY ADJUSTABLE LED GLARE FREE LENS
ONLY AVAILABLE WITH THE EBM-2L**



FEATURES & SPECIFICATIONS

CIRCUITRY

- LED ultra-bright light source: 3.6V 1W long life LED light source, 6000K
- Ceiling or wall mount installation
- Only available with EBM-2L
- Injection molded thermo-plastic housing
- Suitable for damp location
- Fully adjustable lamp holder location
- White color is standard

APPROVALS

- Meets or exceeds CSA C22.2 #141-10

OVERVIEW

DC VOLTAGE

3.6 V



LED



For complete warranty details, please see our terms and conditions on our website.

Data is based upon tests performed in a controlled environment. Actual performance can vary depending on operating conditions. All products are subject to change or may be discontinued any time without notice.

RMM2

ORDERING GUIDE

RMM2

SERIES

RMM2

DIMENSIONS

