



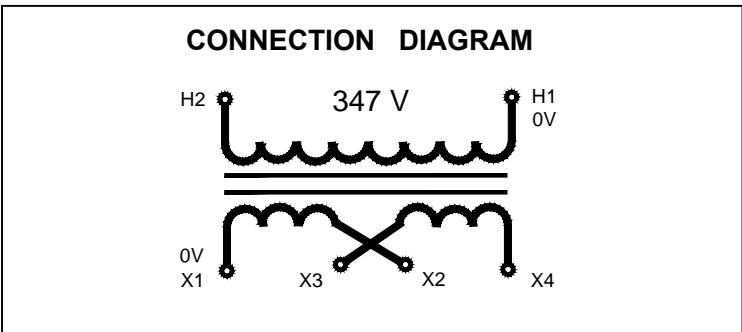
MARCUS

Marcus Transformer LTD
 Phone: 1-800-267-7376
 Fax: 1-866-205-7526
 Email: Info@marcustransformer.com

TECHNICAL DATA SINGLE PHASE CONTROL TRANSFORMER

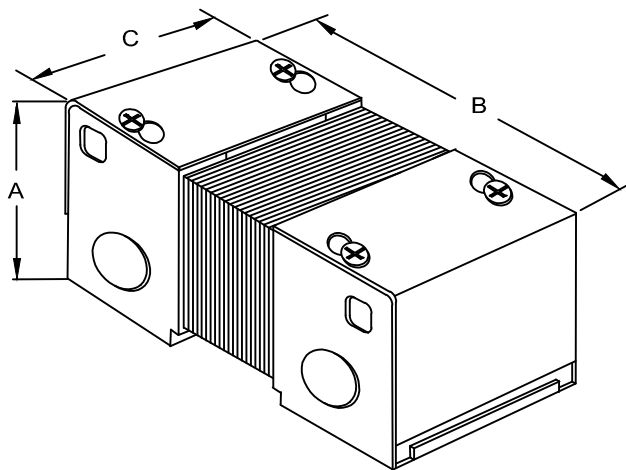
DESCRIPTION

MODEL	MC50I
Type	Enclosed, Indoor application
VA	50
Primary (Volts)	347
Secondary (Volts)	120 / 240
Input / Output Amps	0.14 / 0.42 , 0.21
Temperature Rise	95°C
Insulation Class	B (130°C)
Frequency	60Hz
Polarity	additive
Noise level	less than 40DB
Winding	Copper
Approvals	UL listed CSA approved

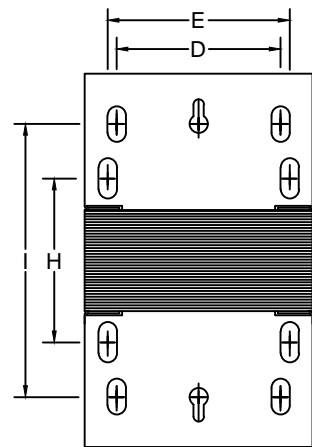
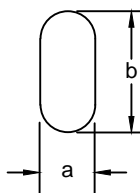


WIRING CONNECTION

PRIMARY :		
VOLTS 347	CONNECT LINES TO : H1-H2	
SECONDARY :		
VOLTS 120	INTERCONNECT: X1-X3 AND X2-X4	CONNECT LINES TO : X1-X4
240	X2-X3	X1-X4
120/240	X2-X3	X1-X3-X4



LETTER	MOUNTING SLOTS INCHES / MM
	a b
S	0.25 x 0.500 6.4 x 12.7
T	0.25 x 0.625 6.4 x 15.9



DIMENSIONS INCHES / MM

VA	A	B	C	D	E	F	G	H	I	J	K	L	M	SHIP WEIGHT LBS / KG
50	2.82 71.6	5.13 130.3	3.13 79.5	2.25 57.2	2.50 63.5			2.25(T) 57.2	3.75(S) 95.3					3.25 1.5