

HMIBMU0I29D200A

Modular box PC, Harmony iPC, HMIBM Universal DC Base unit 8 GB 2 slots



Main

Range of Product	Harmony iPC
Product or Component Type	Modular box PC
Device short name	Modular BOX PC Universal
Range Compatibility	Modular Display HMIDM IDisplay
Accessory / separate part destination	PC panel HMIDM modular display
Processor name	Intel Celeron 2980U 1.6 GHz
Chipset type	Intel QM87
Video controller type	Intel HD Graphics
Software package	Node-RED and system nodes restore IIoT Wiring Operating System Restore McAfee white listing installer cyber security license not included EcoStruxure secure connect advisor annual subscription cyber security license not included EcoStruxure Operator Terminal Expert run time HMI license not included EcoStruxure machine SCADA expert run time HMI/ SCADA on configured offer only EcoStruxure augmented operator advisor server augmented operator license not included

Complementary

Mounting Location	Flat mounting Wall mounting Book mounting
Memory description	8 GB RAM DDR3 internal not expandable 512 KB MRAM internal
Free slots	2 Internal SATA HDD/SSD with slide-in HMIYMADSDD1 to mount hot swap RAID with Intel Rapid Storage Technology 1 CFAST 1 mSATA
Number of slots	2 slot(s) for mini PCI Express full-size
Number of slots available for expansion	2 mini PCIe
Display resolution	3200 x 2000 pixels at 60 Hz
Watchdog timer	1...255 ms
Type of cooling	Fanless Fan required to mount PCI/PCIe cards above 3 W
Electrical connection	Screw connector, connector type: pin, 1 way, circuit application: ground - location: bottom Connector, connector type: SMA, 3 ways - location: top
Integrated connection type	Display port 1 bottom Display port 1 front Ethernet 2 RJ45 I210 10/100/1000 Mbps bottom IEEE 1588 supported COM1 serial link battery backup 1 male SUB-D 9 RS232/422/485 bottom USB 2.0 port 2 USB type A 480 Mbit/s bottom USB 3.0 port 2 USB type A 5 Gbit/s bottom TPM connector Ver 1.2 cyber security - hardware encryption TPM module HMIYMINATPM201 to be installed/default installed motherboard
[Us] rated supply voltage	24 V DC power supply 100...240 V AC power supply
Supply voltage limits	18...36 V
Inrush current	8.9 A

The information provided in this documentation contains general descriptions and/or technical characteristics of the performance of the products contained herein. This documentation is not intended as a substitute for and is not to be used for determining suitability or reliability of these products for specific user applications. It is the duty of any such user or integrator to perform the appropriate and complete risk analysis, evaluation and testing of the products with respect to the relevant specific application or use thereof. Neither Schneider Electric Industries SAS nor any of its affiliates or subsidiaries shall be responsible or liable for misuse of the information contained herein.

Power consumption in W	35.0 W box) 39.0 W with 4:3 12" display HMIDM6421) 37.0 W with Wide 12" display HMIDM6521) 40 W with 4:3 15" display HMIDM7421) 41 W with Wide 15" display HMIDM7521) 43 W with Wide 19" display HMIDM9521) 45 W with Wide 22" display HMIDMA521)
Control type	ON/OFF button
Impregnation material	Conformal coated
Main type	Universal
Depth	2.57 in (65.2 mm)
Height	8.15 in (207 mm)
Width	10.00 in (254 mm)
Net Weight	6.83 lb(US) (3.1 kg)

Environment

Standards	Class A group 1 EN 55011 EN 61000-6-4 EN 61131-2 FCC part 15 UL 61010
Product certifications	CE[RETURN]CULus[RETURN]CULus CSA 22-2 No 142[RETURN]CULus HazLoc Class I Division 2 ANSI/ISA 12-12-01[RETURN]CULus HazLoc Class I Division 2 CSA 22-2 No 213[RETURN]ATEX[RETURN]CCC[RETURN]RCM[RETURN]EAC[RETURN]IEC Ex hazardous locations 3GD zone 2/22
Quality labels	CE
Directives	2006/95/EC - low voltage directive 2004/108/EC - electromagnetic compatibility
IP degree of protection	IP40 IEC 60529
Electromagnetic compatibility	Immunity to high frequency interference conforming to IEC 61000-4 Disturbing field emission class A conforming to EN 55011 Conducted and radiated emissions class A conforming to EN 55022
Ambient air temperature for storage	-22...158 °F (-30...70 °C) IEC 60068-2-2 -22...158 °F (-30...70 °C) IEC 60068-2-14
Relative Humidity	10...95 % non-condensing EN/IEC 60068-2-30
Ambient air temperature for operation	32...131 °F (0...55 °C) by default) EN/IEC 60068-2-2 32...122 °F (0...50 °C) flat mounting 32...113 °F (0...45 °C)PCI/PCle HMIDM modular display with HDD 32...104 °F (0...40 °C) flat mountingHDD 32...104 °F (0...40 °C) flat mountingmini PCle 32...104 °F (0...40 °C) flat mountingPCI/PCle 32...113 °F (0...45 °C) 2mini PCle HMIDM modular display
Operating altitude	6561.68 ft (2000 m) IEC 60664-1
Vibration resistance	2 gn 5...500 Hz) SSD or CFast 1 gn 5...500 Hz) HDD

Ordering and shipping details

Category	22575-MAGELIS MC3
Discount Schedule	MC3
GTIN	3606480853470
Returnability	No
Country of origin	US

Packing Units

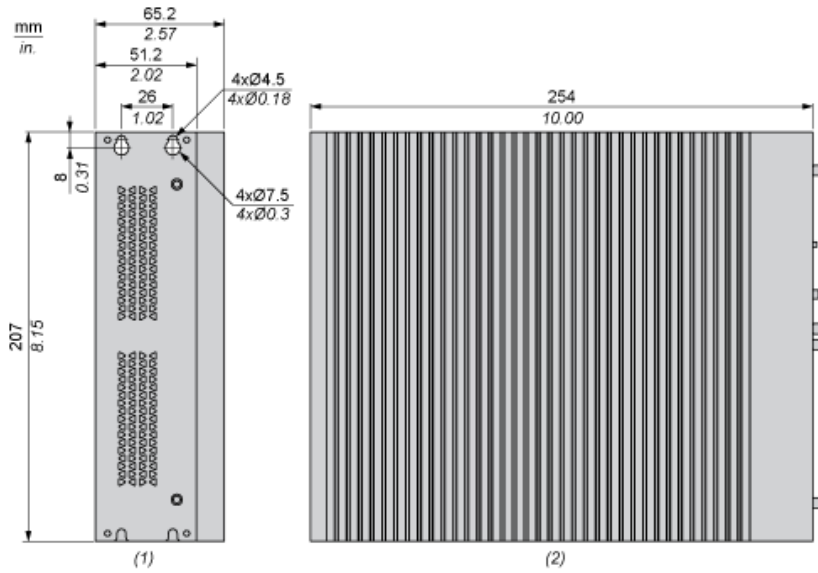
Unit Type of Package 1	PCE
Number of Units in Package 1	1
Package 1 Height	2.56 in (6.5 cm)
Package 1 Width	8.15 in (20.7 cm)
Package 1 Length	10.00 in (25.4 cm)
Package 1 Weight	6.83 lb(US) (3.1 kg)
Unit Type of Package 2	CAR
Number of Units in Package 2	1

Package 2 Height	17.72 in (45.0 cm)
Package 2 Width	9.65 in (24.5 cm)
Package 2 Length	16.93 in (43.0 cm)
Package 2 Weight	11.24 lb(US) (5.1 kg)

Offer Sustainability

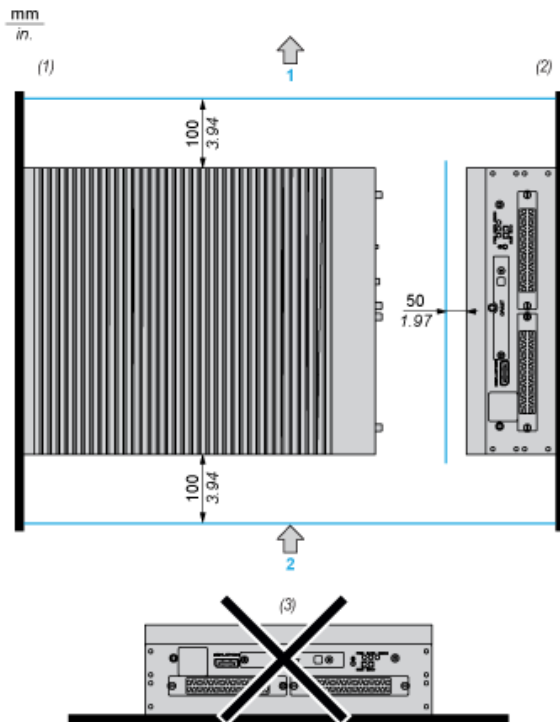
California proposition 65	WARNING: This product can expose you to chemicals including: Lead and lead compounds, which is known to the State of California to cause cancer and birth defects or other reproductive harm. For more information go to www.P65Warnings.ca.gov
REACH Regulation	REACH Declaration
REACH free of SVHC	Yes
EU RoHS Directive	Pro-active compliance (Product out of EU RoHS legal scope)
Mercury free	Yes
China RoHS Regulation	China RoHS Declaration
RoHS exemption information	Yes
WEEE	The product must be disposed on European Union markets following specific waste collection and never end up in rubbish bins.

Dimensions



- (1) Rear view
- (2) Left view

Spacing Requirements



- 1 : Air out
- 2 : Air in
- (1) Book mounting : Vertical mounting with rear fixing
- (2) Wall mounting : Vertical mounting with side fixing
- (3) Horizontal mounting