

## BQ2 Series

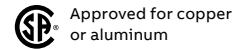
200 A 600 V; standard enclosure

### Product specifications

- Conductor range: 6 AWG–250 kcmil
- Aluminum tunnel type connectors for both load and line sides
- For overhead, underground and combination overhead/underground

- Supplied with screw type ring
- Weatherproof Type 3R enclosure

Note: Supply from an underground network often requires use of stud type connector. Consult your local utility.



Cat. no	Description	Dimensions (in.)			Weight each	
		H	W	D	lb	kg
<b>4 Jaw</b>						
BQ2-V	Overhead, hub opening	15 $\frac{5}{8}$	8 $\frac{47}{64}$	5 $\frac{13}{32}$	12	5.4
BQ2-VGN	Overhead opening comes with ground lug on neutral	15 $\frac{5}{8}$	8 $\frac{47}{64}$	5 $\frac{13}{32}$	12	5.4
BQ2-VGN-CR	Overhead comes with ground lug on neutral, corrosion resistant	15 $\frac{5}{8}$	8 $\frac{47}{64}$	5 $\frac{13}{32}$	12	5.4
BQ2-2V	Overhead, hub opening, comes with 2 in. hub	15 $\frac{5}{8}$	8 $\frac{47}{64}$	5 $\frac{13}{32}$	12	5.4
BQ2-2INV	Overhead, comes with 2 in. hub and isolated neutral	15 $\frac{5}{8}$	8 $\frac{47}{64}$	5 $\frac{13}{32}$	12	5.4
BQ2-2VGN	Overhead, hub opening comes with 1 1/2" hub and ground lug on neutral	15 $\frac{5}{8}$	8 $\frac{47}{64}$	5 $\frac{13}{32}$	12	5.4
BQ2-TV	Underground	15 $\frac{5}{8}$	8 $\frac{47}{64}$	5 $\frac{13}{32}$	12	5.4
BQ2-INTV	Underground, comes with isolated neutral	15 $\frac{5}{8}$	8 $\frac{47}{64}$	5 $\frac{13}{32}$	12	5.4
BQ2-TVGN	Underground comes with ground lug on neutral	15 $\frac{5}{8}$	8 $\frac{47}{64}$	5 $\frac{13}{32}$	12	5.4
BQ2-TCV	Combination, overhead-underground	15 $\frac{5}{8}$	8 $\frac{47}{64}$	5 $\frac{13}{32}$	12	5.4
BQ2-TCV-CR	Combination overhead-underground, corrosion resistant	15 $\frac{5}{8}$	8 $\frac{47}{64}$	5 $\frac{13}{32}$	12	5.4
BQ2-TCVGN	Combination overhead-underground comes with ground lug on neutral	15 $\frac{5}{8}$	8 $\frac{47}{64}$	5 $\frac{13}{32}$	12	5.4
BQ2-TCVGN-CR	Combination overhead-underground comes with ground lug on neutral, corrosion resistant	15 $\frac{5}{8}$	8 $\frac{47}{64}$	5 $\frac{13}{32}$	12	5.4
BQ2-22VNH	Overhead, twin hub opening	15 $\frac{5}{8}$	8 $\frac{47}{64}$	5 $\frac{13}{32}$	12	5.4
BQ2-22INVNH	Overhead, twin hub opening, comes with isolated neutral	15 $\frac{5}{8}$	8 $\frac{47}{64}$	5 $\frac{13}{32}$	12	5.4
BQ2-22VNHGN	Overhead, twin hub opening comes with ground lug on neutral	15 $\frac{5}{8}$	8 $\frac{47}{64}$	5 $\frac{13}{32}$	12	5.4
BQ2-2VGN-CR	Overhead comes with ground lug on neutral, corrosion resistant	15 $\frac{5}{8}$	8 $\frac{47}{64}$	5 $\frac{13}{32}$	12	5.4
BQ2-22V	Overhead, twin hub opening, comes with 2 in. hubs	15 $\frac{5}{8}$	8 $\frac{47}{64}$	5 $\frac{13}{32}$	12	5.4
BQ2-22VGN	Overhead, twin hub opening comes with 2 in hubs and ground lug on neutral	15 $\frac{5}{8}$	8 $\frac{47}{64}$	5 $\frac{13}{32}$	12	5.4
<b>Factory-installed accessories</b>						
Include: -5					5 <sup>th</sup> jaw standard capacity	



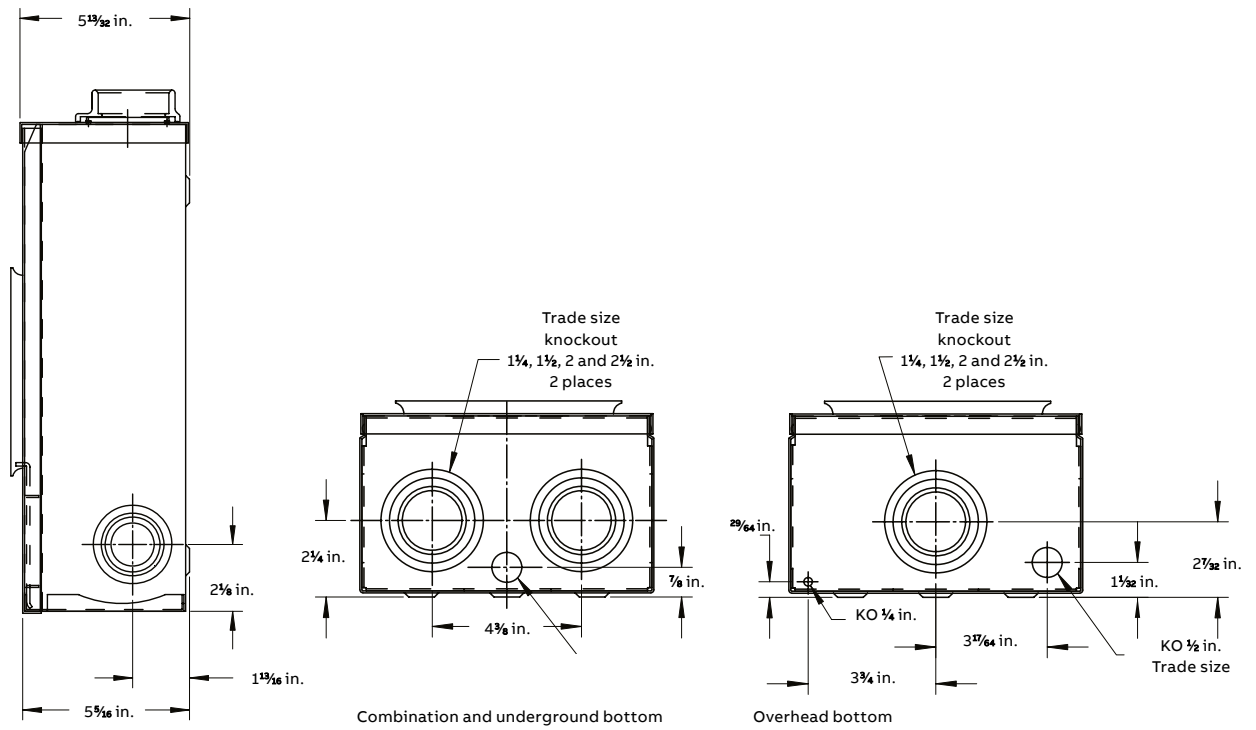
BQ2-INTCV



## BQ2 Series

200 A 600 V; standard enclosure

### Diagrams

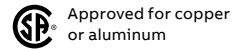


## BP2-TV

200 A 240 V; standard enclosure

### Product specifications

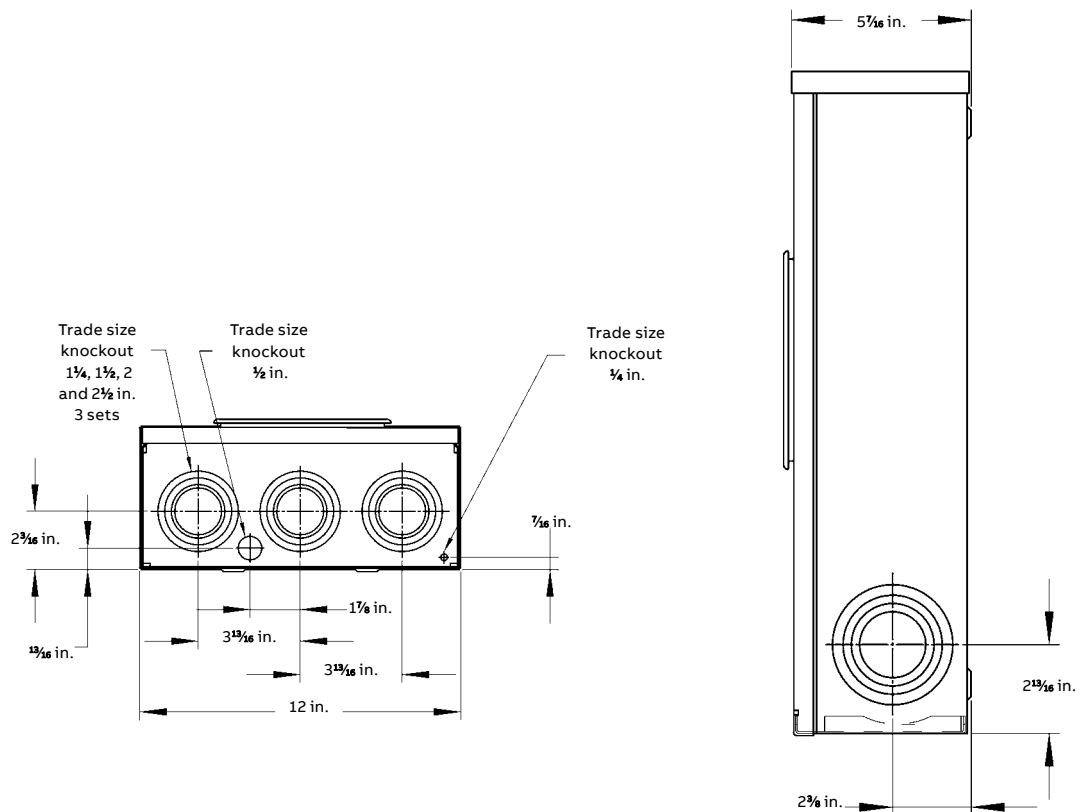
- Conductor range: 6 AWG–250 kcmil
- Aluminum tunnel type connectors for both load and line sides
- For underground service only
- Supplied with screw type ring
- Weatherproof Type 3R enclosure



	Cat. no.	Description	Dimensions (in.)			Weight each	
			H	W	D	lb	kg
BP2-TV	BP2-TV	Underground	20	12	5 <sup>1</sup> / <sub>16</sub>	16.5	7.48



### Diagrams



## BS2 Series

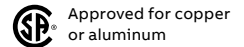
200 A 600 V; oversize enclosure



### Product specifications

- Conductor range: 6 AWG – 250 kcmil
- Aluminum tunnel type connectors for both load and line sides
- For overhead, underground and combination overhead/underground

- Supplied with screw type ring
- Weatherproof Type 3R enclosure

NOTE: Supply from an underground network often requires use of stud type connector. Consult your local utility.

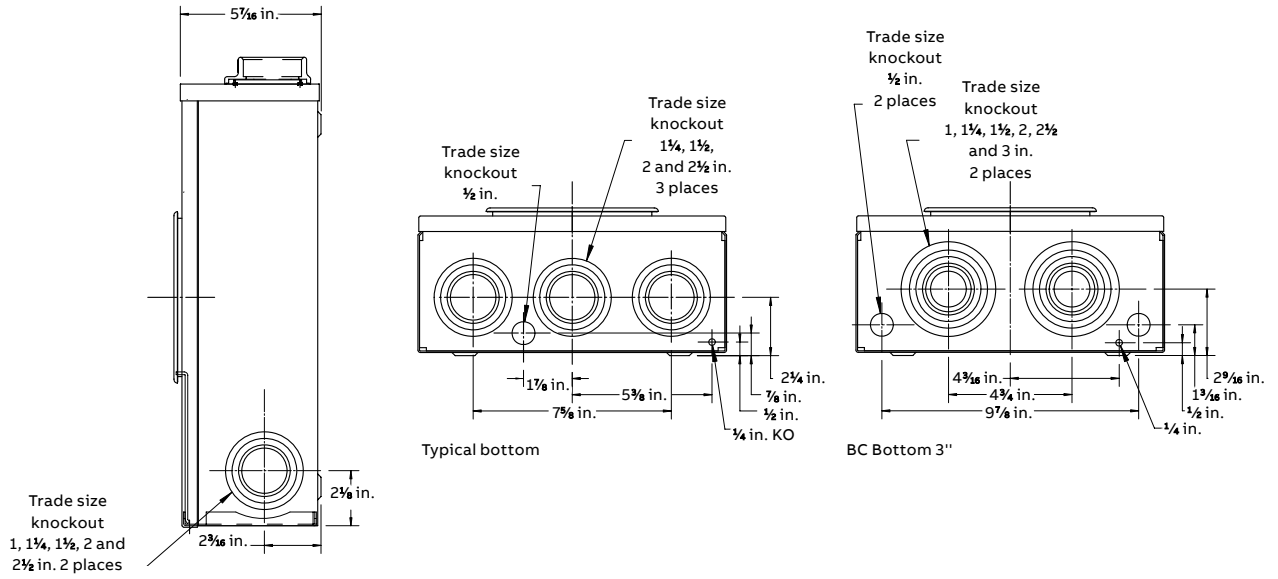


	Cat. no.	Description	Dimensions (in.)			Weight each		
			H	W	D	lb	kg	
	<b>4 Jaw</b>							
	BS2-V	Overhead, hub opening	17 $\frac{1}{8}$	12	5 $\frac{7}{16}$	14	6.3	
	BS2-INV	Overhead, hub opening comes with isolated neutral	17 $\frac{1}{8}$	12	5 $\frac{7}{16}$	14	6.3	
	BS2-1 1/2 V	Overhead, hub opening, comes with 1 $\frac{1}{2}$ in. hub	17 $\frac{1}{8}$	12	5 $\frac{7}{16}$	14	6.3	
	BS2-1 1/2 INV	Overhead, comes with 1 $\frac{1}{2}$ in. hub and isolated neutral	17 $\frac{1}{8}$	12	5 $\frac{7}{16}$	14	6.3	
	BS2-1 1/2 VGN	Overhead, comes with 1 $\frac{1}{2}$ in. hub and ground lug on neutral	17 $\frac{1}{8}$	12	5 $\frac{7}{16}$	14	6.3	
	BS2-2V	Overhead, hub opening, comes with 2 in. hub	17 $\frac{1}{8}$	12	5 $\frac{7}{16}$	14	6.3	
	BS2-2VGN	Overhead, comes with 2 in. hub and ground lug on neutral	17 $\frac{1}{8}$	12	5 $\frac{7}{16}$	14	6.3	
	BS2-TV	Underground	17 $\frac{1}{8}$	12	5 $\frac{7}{16}$	14	6.3	
	BS2-INTV	Underground comes with isolated neutral	17 $\frac{1}{8}$	12	5 $\frac{7}{16}$	14	6.3	
	BS2-TCV	Combination, overhead-underground	17 $\frac{1}{8}$	12	5 $\frac{7}{16}$	14	6.3	
		BS2-INTCV	Combination overhead-underground comes with isolated neutral	17 $\frac{1}{8}$	12	5 $\frac{7}{16}$	14	6.3
		BS2-TCVGN	Combination overhead-underground comes with ground lug on neutral	17 $\frac{1}{8}$	12	5 $\frac{7}{16}$	14	6.3
BS2-TCVBC		Combination, overhead-underground comes with 3" ko	17 $\frac{1}{8}$	12	5 $\frac{7}{16}$	14	6.3	
BS2-TCVBC-CR		Combination overhead-underground comes with 3" ko	17 $\frac{1}{8}$	12	5 $\frac{7}{16}$	14	6.3	
BS2-INTCVBC		Combination, overhead-underground comes with 3" ko and isolated neutral	17 $\frac{1}{8}$	12	5 $\frac{7}{16}$	14	6.3	
BS2-TCVGNBC		Combination overhead-underground comes with ground lug on neutral	17 $\frac{1}{8}$	12	5 $\frac{7}{16}$	14	6.3	
BS2-22VNH		Overhead, twin hub opening	17 $\frac{1}{8}$	12	5 $\frac{7}{16}$	14	6.3	
BS2-22V		Overhead, twin hub opening, comes with 2 in. hubs	17 $\frac{1}{8}$	12	5 $\frac{7}{16}$	14	6.3	
<b>Factory-installed accessories</b>								
Include: -5			5 <sup>th</sup> jaw, standard capacity, 9 o'clock position					

# BS2 Series

200 A 600 V; oversize enclosure

## Diagrams



# BS2-TCVGNFA

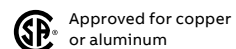
200 A, 120/240 V; single-phase service

### Product specifications

- Line Side: 6 - 350 kcmil ,  
Load Side: Dual 6 - 4/0 kcmil
- Tunnel type connectors for both load and line sides
- For underground and above ground service

- Weatherproof Type 3R enclosure
- Designed and manufactured in Canada

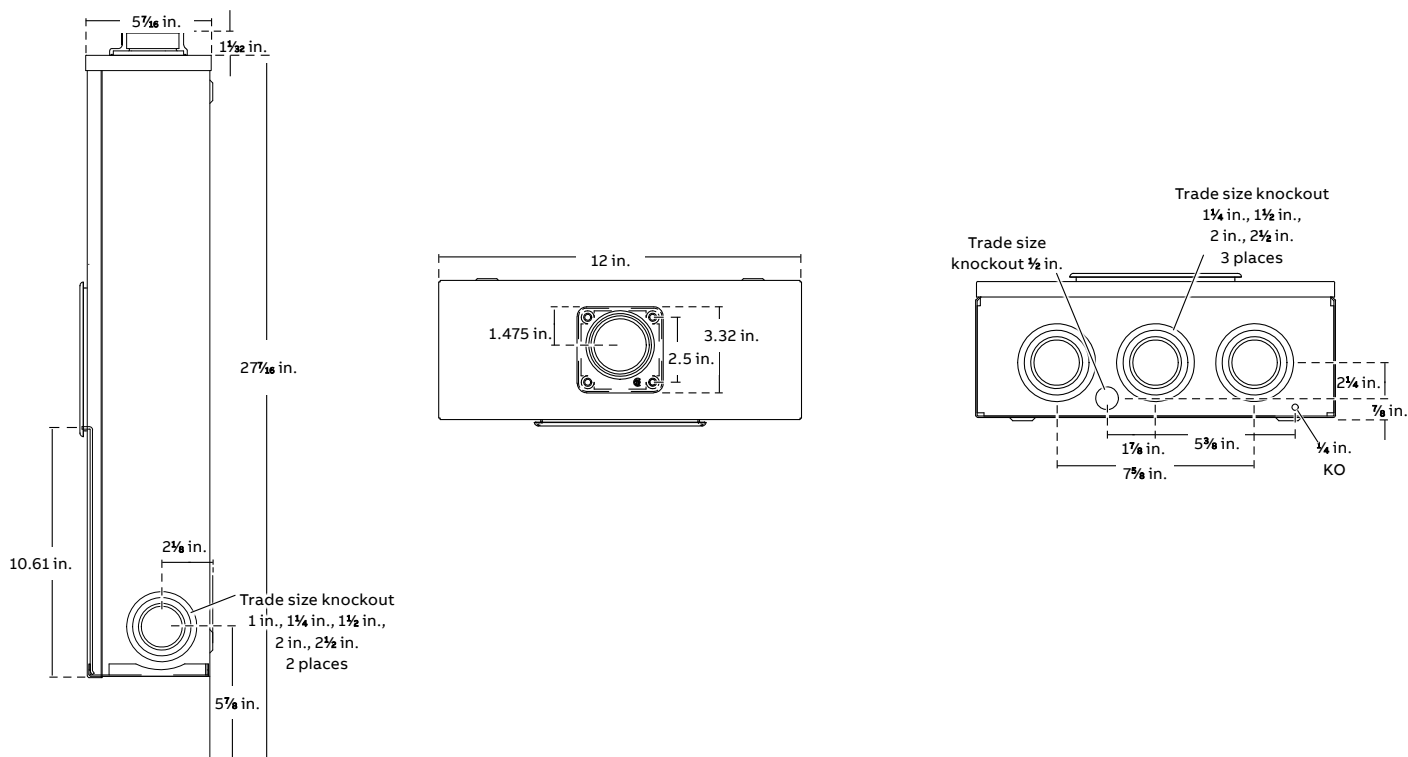
Application: When distance is a factor, larger conductors require larger connectors.



Cat. no.	Description	Dimensions (in.)			Weight Each	
		H	W	D	lb	kg
BS2-TCVGNFA	4 Jaw					
BS2-TCVGNFA	Combination overhead-underground, comes with ground lug on neutral	27 <sup>1</sup> / <sub>16</sub>	12	5 <sup>1</sup> / <sub>16</sub>	14	6.3



### Diagrams

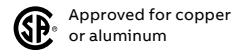


## BS2L Series

200 A 600 V; oversize enclosure lay-in lug

### Product specifications

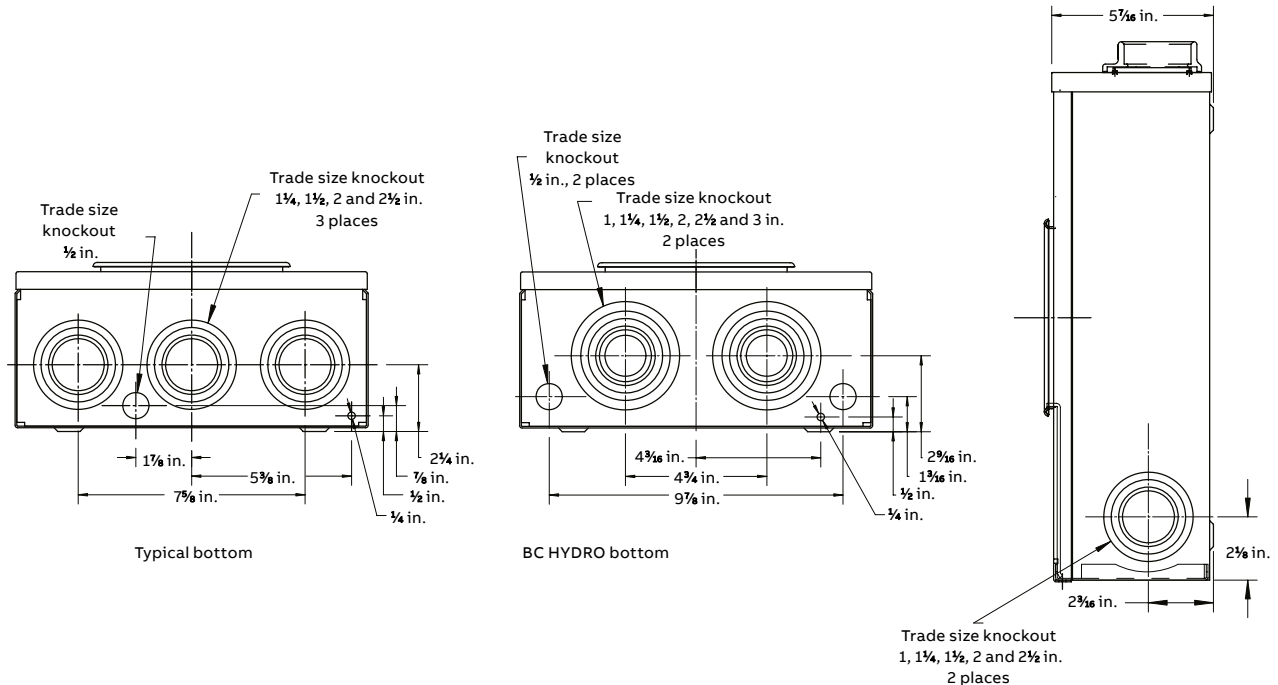
- Same as BS2 series with the exception that lay-in type connectors are provided
- Conductor range: 6 AWG–250 kcmil
- Aluminum lay-in type connectors for both load and line sides
- For overhead, underground and combination overhead/underground
- Supplied with screw type ring
- Weatherproof Type 3R enclosure



Cat. no.	Description	Dimensions (in.)			Weight each	
		H	W	D	lb	kg
<b>4 Jaw</b>						
BS2L-TV	200 A underground with lay-in lugs	17 $\frac{1}{8}$	12	5 $\frac{7}{16}$	16	7.2
BS2L-INTV	200 A underground with lay in lug, isolated neutral	17 $\frac{1}{8}$	12	5 $\frac{7}{16}$	16	7.2
BS2L-TCV	200 A over/under combination with lay-in lugs	17 $\frac{1}{8}$	12	5 $\frac{7}{16}$	16	7.2
BS2L-INTCV	200 A overhead/underground with lay in lugs, isolated neutral	17 $\frac{1}{8}$	12	5 $\frac{7}{16}$	16	7.2
BS2L-INTCVBC	200 A overhead/underground with lay in lug, isolated neutral c/w 3" KO	17 $\frac{1}{8}$	12	5 $\frac{7}{16}$	16	7.2
BS2L-TVGN	200 A underground with lay in lugs comes with ground lug on neutral	17 $\frac{1}{8}$	12	5 $\frac{7}{16}$	16	7.2
BS2L-TCVGN	200 A overhead/underground with lay in lugs comes with ground lug on neutral	17 $\frac{1}{8}$	12	5 $\frac{7}{16}$	16	7.2
BS2L-TCVGNBC	200 A overhead/underground with lay in lugs comes with ground lug on neutral C/W 3" KO	17 $\frac{1}{8}$	12	5 $\frac{7}{16}$	16	7.2
<b>Factory-installed accessories</b>						
Include: -5					5 <sup>th</sup> jaw standard capacity	



### Diagrams

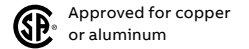


## BS2M Series

200 A 600 V; oversize enclosure, subfeed on load side

### Product specifications

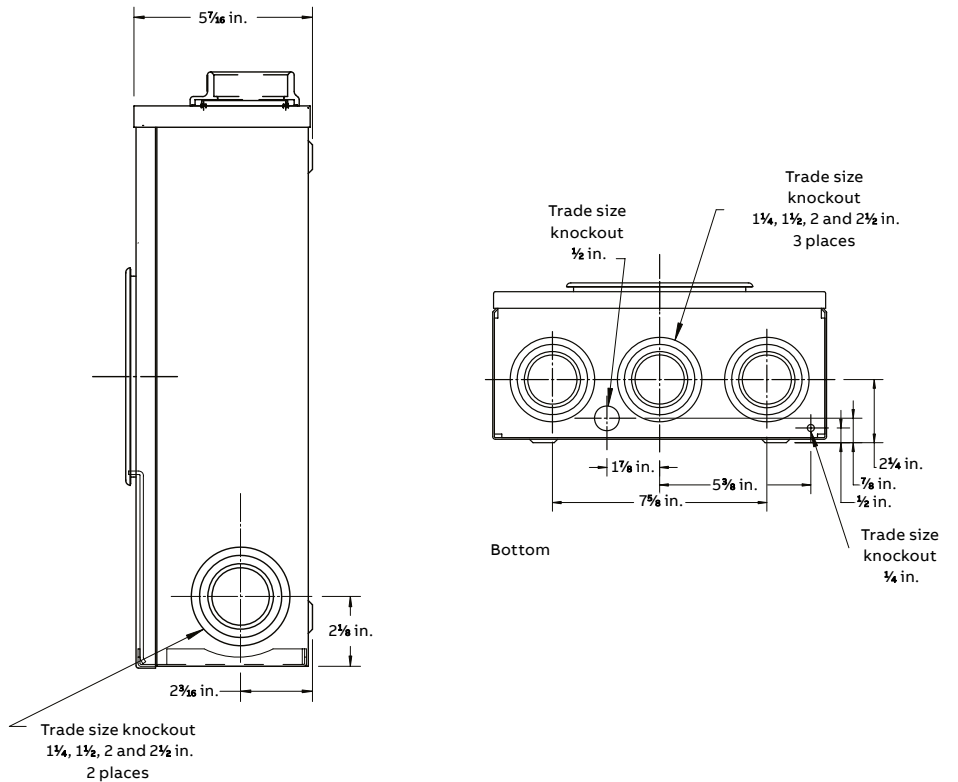
- Conductor range: line: 6 AWG–250 kcmil, load: 12–1/0 AWG
- Aluminum tunnel type connector for line side
- For overhead service only
- Dual lug subfeed for load side
- Supplied with screw type ring
- Weatherproof Type 3R enclosure



	Cat. no.	Description	Dimensions (in.)			Weight each	
			H	W	D	lb	kg
	<b>4 Jaw</b>						
BS2M-VGN	BS2M-VGN	Overhead, comes with ground lug on neutral	17 $\frac{1}{8}$	12	5 $\frac{1}{16}$	15	6.8



### Diagrams

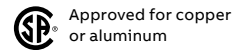


# MO2 Series

200 A 600 V; underground only

### Product specifications

- Conductor range: line: single ½ in. studs to accommodate compression lugs 350 kcmil max. (supplied by utility), load: 6 AWG–250 kcmil
- For underground service only
- Aluminum tunnel type connectors for load side, ½ in. studs on line side
- Supplied with screw type ring
- Weatherproof Type 3R enclosure



Cat. no.	Description	Dimensions (in.)			Weight each	
		H	W	D	lb	kg
<b>4 Jaw</b>						
MO2-V	Underground ½ in. studs	19 5/16	12	5 9/16	18	8.1
MO2-INV	Underground ½ in. stud comes with isolated neutral	19 5/16	12	5 9/16	18	8.1
MO2-VGN	Underground ½ stud come with ground lug on neutral	19 5/16	12	5 9/16	18	8.1
MO2-VO	Underground ½ in. studs for Ontario	19 5/16	12	5 9/16	18	8.1
MO2-INVO	Underground ½ in. stud for ontario comes with isolated neutral	19 5/16	12	5 9/16	18	8.1
MO2-VOGN	Underground ½ in. studs for Ontario comes with ground lug on neutral	19 5/16	12	5 9/16	18	8.1
MO2M-INV	Underground ½ stud c/w 2/0 subfeed on load side and isolated neutral	19 5/16	12	5 9/16	18	8.1
<b>Factory-installed accessories</b>						
Include: -M					2/0 AWG subfeed on load side	

### Diagrams

