

## 15-150 W Heater *SHG Series*

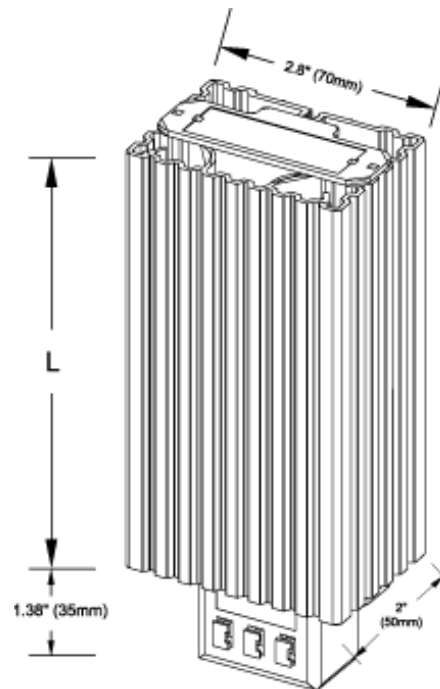


### Features

- Designed to provide enclosed electronic, pneumatic, hydraulic and mechanical equipment with protection from low temperatures, condensation and corrosion.
- The PTC (Positive Temperature Coefficient) heater unit maintains a stable temperature environment within enclosures, allowing critical components to perform with consistent reliability for longer periods.
- Push connectors for quick and easy wiring
- Used in combination with Normally Closed Thermostat or Humidistat

### Accessories

- Temperature Controls



Part No.	Watts <sup>1</sup>	Max. Current <sup>2</sup>	L	Ship Wt. lbs
SHG14000	15W	1.5A	2.60	1
SHG14001	30W	3.0A	2.60	1
SHG14003	45W	3.5A	2.60	1
SHG14005	60W	2.5A	5.50	1
SHG14006	75W	4.0A	5.50	1
SHG14007	100W	4.5A	5.50	1
SHG14008	150W	8.0A	8.70	2

<sup>1</sup> At 68oF (20oC) ambient temperature

<sup>2</sup> Inrush current

Operating Voltage:	AC/DC 110- - 250 V
Heating Element:	PTC resistor, self regulating
Heating Body:	Anodized extruded aluminum
Connection:	Push-type terminals for stranded and solid wire 3 x AWG 20 AWG 16 (0.5 - 1.5 mm <sup>2</sup> )
Mounting:	Easily installed by clip mounting on 35 mm DIN rails (included)
Protection Class:	I, test voltage 1600 V
Protection:	IP20
Approval:	UL Recognized Component, cUL Recognized Component, CE

*Data subject to change without notice*