



**PMA TRUST™ modular support system for conduits and cables in the rail industry**

# One of the most versatile, compact and lightest design of its kind on the market

## For use in rolling stock applications

PMA presents the new generation of the PMA TRUST™ modular support system for the rail industry for conduits and cables, which redefine the state-of-the-art for rolling stock applications in terms of ease of installation, flexibility, lightness, durability and compactness.

### Lightweight, compact with high impact resistance

PMA TRUST™ modular support system is a lightweight, compact solution with high impact resistance. Thanks to the new design, external dimensions are reduced the very minimum and internal spacing between adjoining conduits is very small. The system is specifically designed for use in railway vehicle construction and other applications where fixation of parallel running conduits and cables is required.

### Save installation time

Thanks to the modular system, installation time can be saved. Multiple conduits and cable in various sizes can be clamped in one element which is then secured with only two screws.

### Conduit rotation possible, preventing torsion

The single rib fixation provides a high axial retention force and compatibility with both coarse and fine profile conduits. Conduits are able to rotate in the fixation preventing torsion stresses to conduits in moving systems.

The modular support system can adapt to different combinations of conduits and cables, in various and different sizes. It can suit all rail applications in any region of the world, as it complies to EN 45545-2 and NFPA 130\*.

\* BGPM and BGPMR parts only.



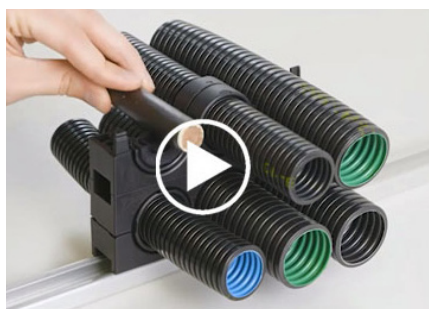


## Quick and user friendly installation

The PMA TRUST™ modular support system offers total flexibility in terms of installation complying with all kinds of installation requirements. Each element can host different combinations of conduits and cables, in various and different sizes, so that cable routing is made easy regardless of its complexity. The fixation of the modular support system can be done with different techniques: on a C-rail, pre-assembled, stacked or upside-down.



Upside-down mounting on C-rail



Stacked mounting with back-to-back pre-assembly



Mounting of pre-assembled harness



Mounting on pre-assembled harness

### How to watch the assembly videos:

We use QR codes in this brochure to provide more information and technical details available on our website. Simply use the camera of your smartphone to scan the code or click on the image in the PDF.



## Benefits and key features at a glance

### Holes for pre-fixation:

Help to fix the bottom half support to the plate/chassis.

### M6 screws for all range:

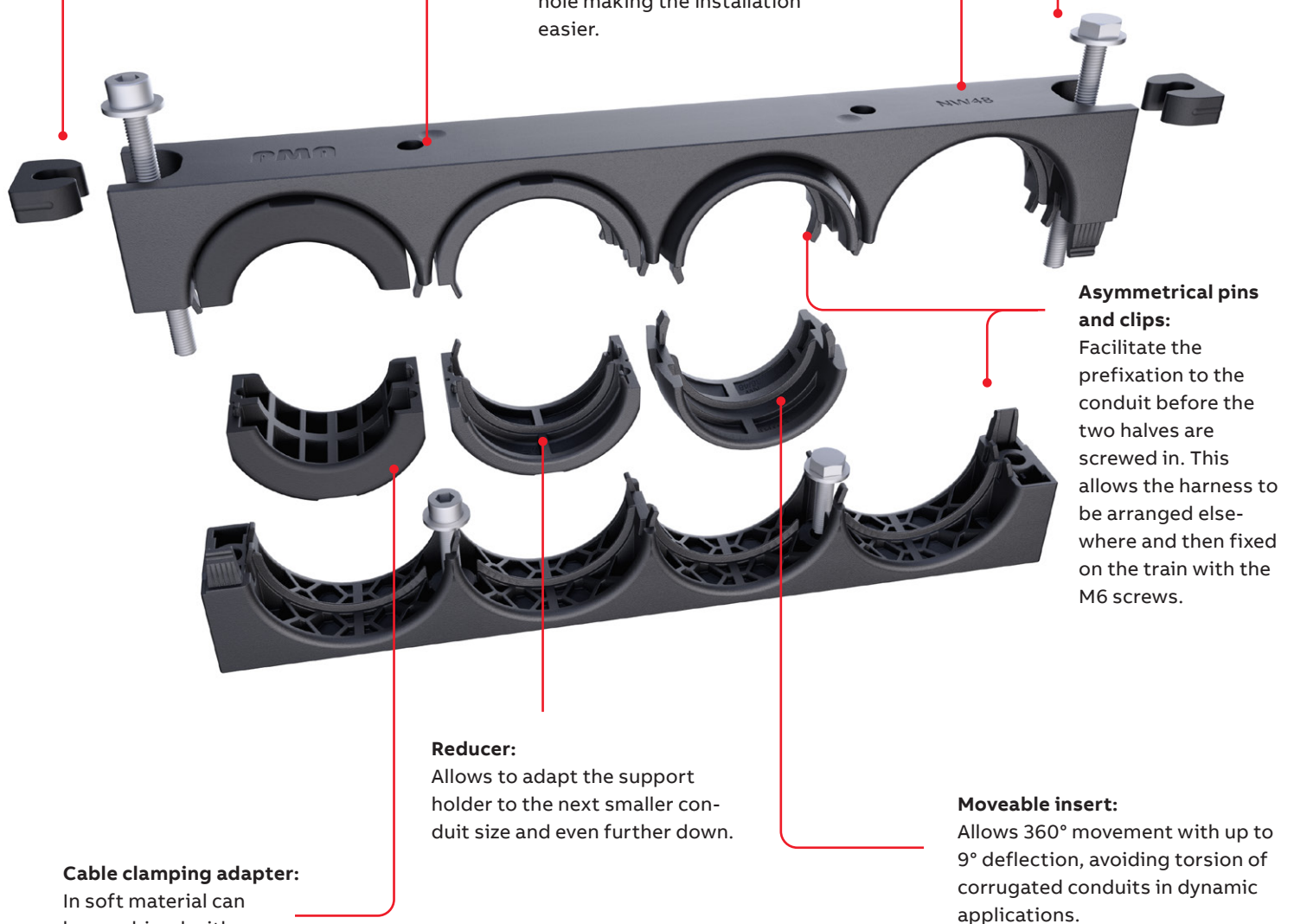
Compatible with allen and hexagonal screws. Makes the installation possible with the same tool regardless of the size of the conduit holder.

### Filler caps:

To assure a plain product surface.

### Size marking:

Display the size (NW) of the hole making the installation easier.



### Asymmetrical pins and clips:

Facilitate the pre-fixation to the conduit before the two halves are screwed in. This allows the harness to be arranged elsewhere and then fixed on the train with the M6 screws.

### Reducer:

Allows to adapt the support holder to the next smaller conduit size and even further down.

### Cable clamping adapter:

In soft material can be combined with reducers.

### Moveable insert:

Allows 360° movement with up to 9° deflection, avoiding torsion of corrugated conduits in dynamic applications.

## Technical specifications

Visit the PMA TRUST™ modular support system web page on [pma.ch](http://pma.ch) for our most up-to-date product lineup, and technical product information. This is the place to go to find all of the planning documents you need at your fingertips, including technical data sheets, general technical details and CAD files.



Smartphone  
for detailed  
product  
information.



# Typical solutions and applications



Highspeed trains and regional trains



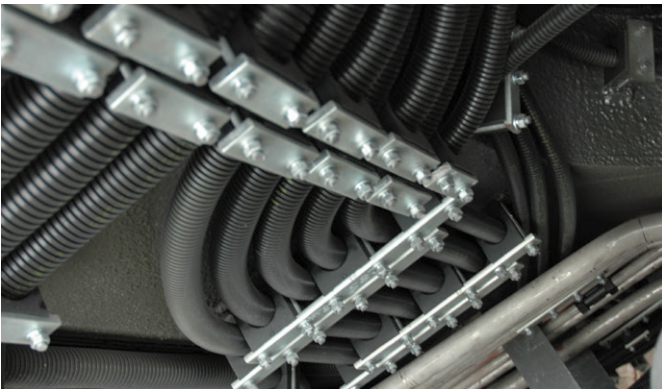
Trams, metros and light rail



Buses for public transportation



Metros and commuter trains



Under carriage installations



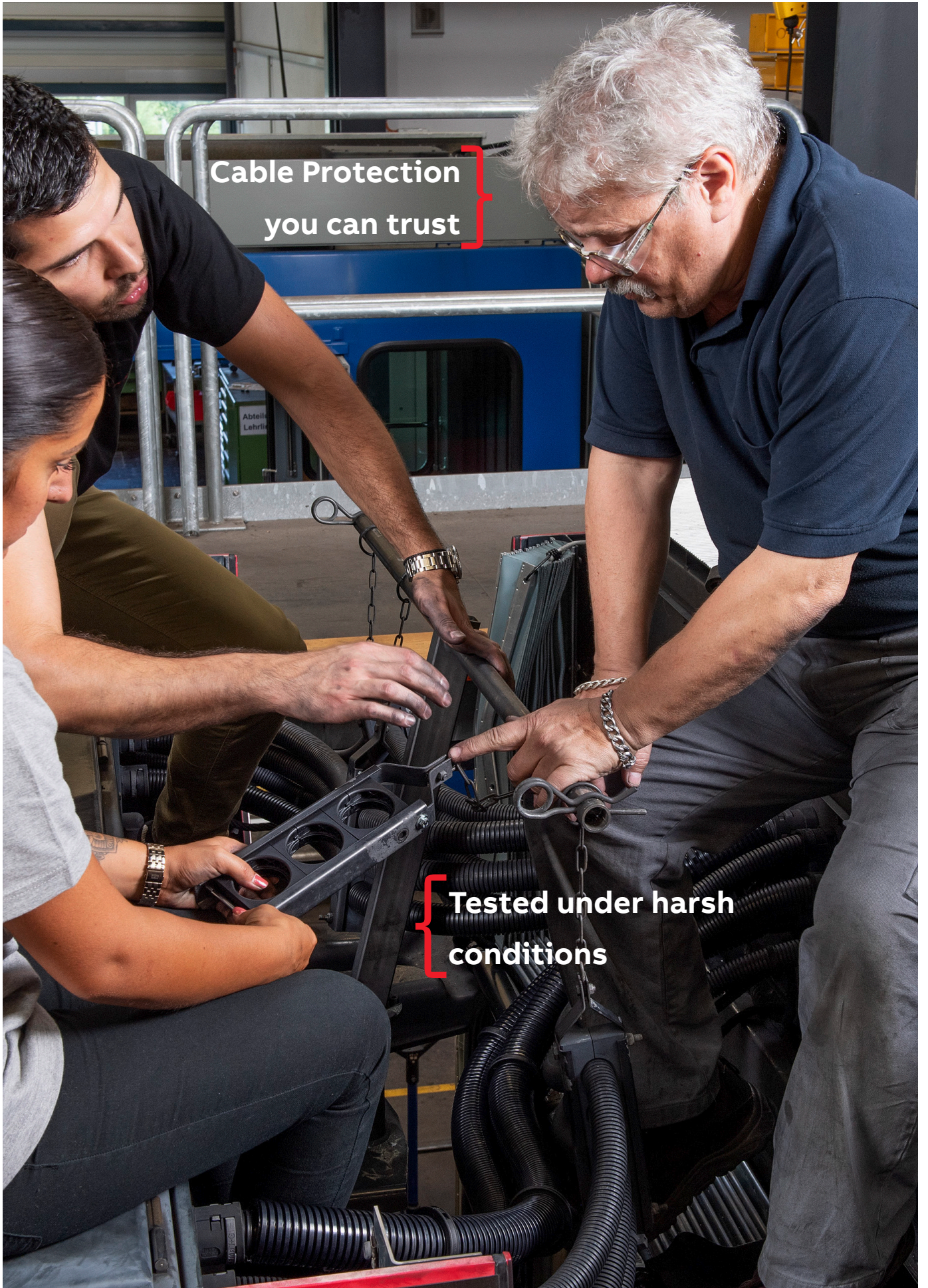
Power distribution



Jumper cable installation



External installations



Cable Protection  
you can trust

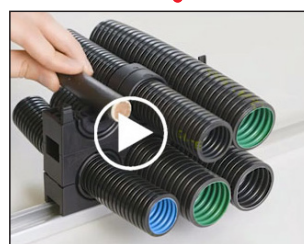
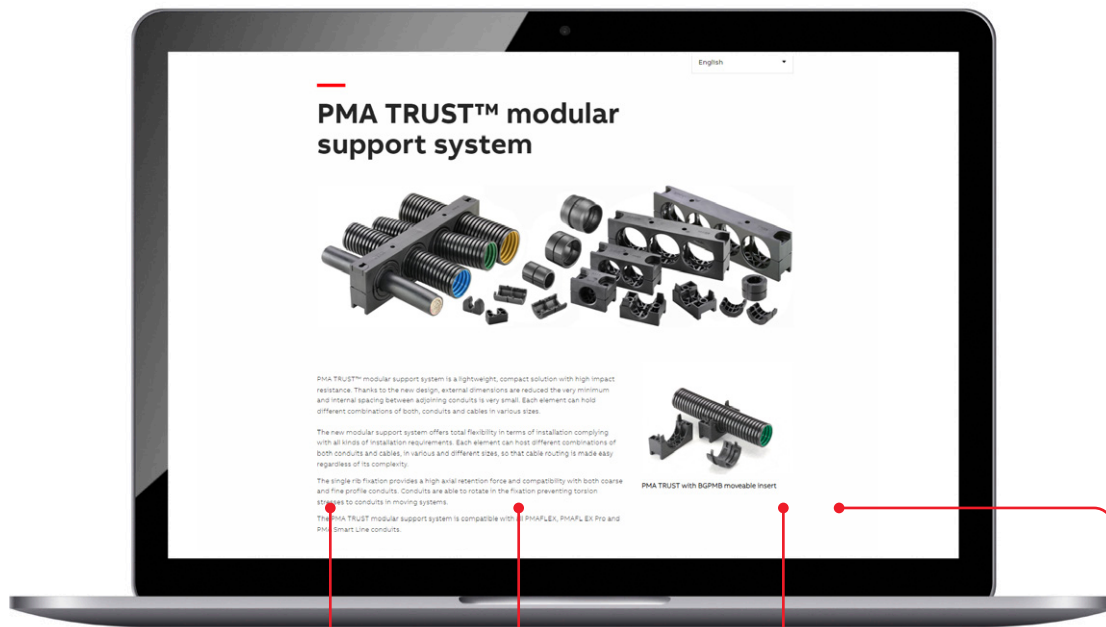
Tested under harsh  
conditions

## More information about PMA TRUST™ modular support system

Visit our website

Visit the PMA product web pages on [www.pma.ch](http://www.pma.ch), for our most up-to-date product lineup, and much more. This is the place to go to find all of the planning documents you need at your fingertips, including:

- Technical data sheets
- General technical details
- CAD files
- Videos
- Brochures
- Digital Product Guide
- Latest news and updates





—  
**ABB Switzerland Ltd.**  
PMA Cable Protection  
Aathalstrasse 90  
CH-8610 Uster  
Phone +41 58 585 00 11  
[pma-info@ch.abb.com](mailto:pma-info@ch.abb.com)

[www.pma.ch](http://www.pma.ch)

[abb.com](http://abb.com)

**Note**

We reserve the right to make technical changes or modify the contents of this document without prior notice. With regard to purchase orders, the agreed particulars shall prevail. ABB AG does not accept any responsibility whatsoever for potential errors or possible lack of information in this document.

We reserve all rights in this document and in the subject matter and illustrations contained therein. Any reproduction, disclosure to third parties or utilization of its contents – in whole or in parts – is forbidden without prior written consent of ABB AG.

© Copyright 2024 ABB. All rights reserved.  
Specifications subject to change without notice.

