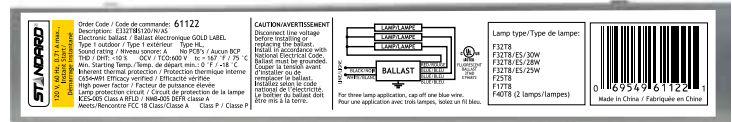


ORDERING INFORMATION

Order code: 61122
 Description: E332T8IS120/N/A/S
 UPC: 69549611221



SPECIFICATIONS

Ballast type: Electronic
Starting method: Instant Start
Lamp connection: Parallel
Input voltage (V): 120
Input frequency (Hz): 50/60
Max. case temperature: 75 °C
Thermal protection: Class P

Type: 1 Outdoor
Contains PCBs: No
Sound rating: A
Open current voltage (OCV) (V): 600
Inherent thermal protection: Yes
Lamp protection circuit: Yes
ICES-005 Compliant: Class A RFLD
Auto-restrike: Yes



Lamp type	Number of lamps	Rated lamp watts	Min. start temp. (°F / °C)	Input current (A)	Input power (ANSI watts)	Ballast factor	Max THD (%)	Power factor	Max. lamp current crest factor	B.E.F.
120 VOLTS										
F32T8 (32W)	3	32	0/-18	0.71	82	0.87	10	0.98	1.7	1.06
F32T8/ES (30W)	3	30	0/-18	0.66	78	0.87	10	0.98	1.7	1.12
F32T8/ES (28W)	3	28	0/-18	0.59	71	0.87	10	0.98	1.7	1.23
F32T8/ES (25W)	3	25	0/-18	0.55	66	0.87	10	0.98	1.7	1.32
F25T8 (25W)	3	25	0/-18	0.55	64	0.90	15	0.97	1.7	1.41
F17T8 (17W)	3	17	0/-18	0.42	46	0.92	15	0.92	1.7	2.00
F32T8 (32W)	2	32	0/-18	0.54	64	0.85	10	0.98	1.7	1.33
F32T8/ES (30W)	2	30	0/-18	0.51	60	1.00	10	0.98	1.7	1.67
F32T8/ES (28W)	2	28	0/-18	0.45	54	1.00	10	0.98	1.7	1.85
F32T8/ES (25W)	2	25	0/-18	0.38	44	0.87	15	0.98	1.7	1.98
F25T8 (25W)	2	25	0/-18	0.42	49	0.90	15	0.97	1.7	1.84
F40T8 (40W)	2	40	32/0	0.68	80	0.95	15	0.97	1.7	1.19

WARRANTY:

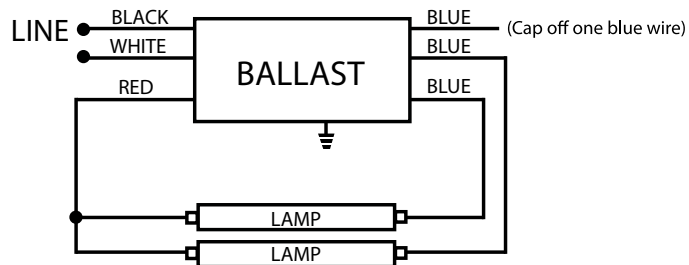
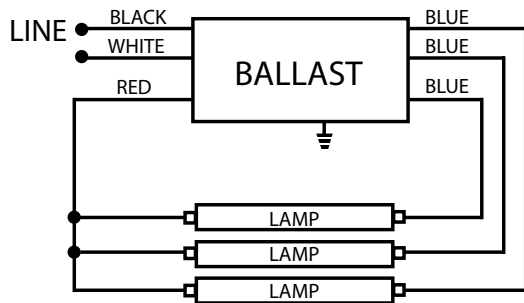
Ballast warranty of 5 years for electronic ballast 75 °C. Ballast warranty of 3 years for electronic ballast 90 °C. For more information visit our website.

Data is based upon tests performed in a controlled environment and representative of relative performance. Actual performance can vary depending on operating conditions. Specifications are subject to change without notice. March 9, 2015

ORDERING INFORMATION

Order code: 61122
 Description: E332T8IS120/N/AS
 UPC: 69549611221

WIRING DIAGRAM

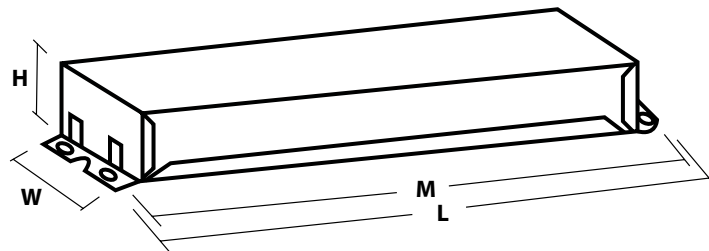


LEADS LENGTH

Black	25" (63.50 cm)
White	25" (63.50 cm)
Blue	31" (78.74 cm)
Red	46" (116.84 cm)

BALLAST DIMENSIONS

Length (L):	9.50" (24.10 cm)
Width (W):	1.30" (3.30 cm)
Height (H):	1.00" (2.54 cm)
Mounting (M):	8.91" (22.63 cm)



WARRANTY:

Ballast warranty of 5 years for electronic ballast 75 °C. Ballast warranty of 3 years for electronic ballast 90 °C.
 For more information visit our website.

Data is based upon tests performed in a controlled environment and representative of relative performance.
 Actual performance can vary depending on operating conditions. Specifications are subject to change without notice.
 March 9, 2015