

# BCH2LH2031CF6C

servo motor BCH, 100mm, 2000W, no oil seal,  
w key, brake, straight con



## Main

Range compatibility	Lexium 28
Product or component type	Servo motor
Device short name	BCH2

## Complementary

Maximum mechanical speed	5000 rpm
[Us] rated supply voltage	220 V
Phase	Three phase
Continuous stall current	9.87 A
Continuous stall torque	56.38 lbf.in (6.37 N.m) LXM28... 12 A, 220 V, three phase
Continuous power	2000 W
Peak stall torque	169.14 lbf.in (19.11 N.m) LXM28... 12 A, 220 V, three phase
Nominal output power	2000 W LXM28... 12 A, 220 V, three phase
Nominal torque	56.38 lbf.in (6.37 N.m) LXM28... 12 A, 220 V, three phase
Nominal speed	3000 rpm LXM28... 12 A, 220 V, three phase
Maximum current Irms	32.3 A LXM28... 2 kW, 220 V
Maximum permanent current	10.27 A
Product compatibility	LXM28... servo drive 2 kW, 220 V, three phase
Shaft end	Keyed
Shaft diameter	0.87 in (22 mm)
Shaft length	1.77 in (45 mm)
Key width	0.31 in (8 mm)
Feedback type	20 bits single turn absolute encoder
Holding brake	With
Holding torque	57.53 lbf.in (6.5 N.m) built-in
Mounting support	Asian standard flange
Motor flange size	3.94 in (100 mm)
Electrical connection	Connector MIL
Torque constant	0.65 N.m/A 68 °F (20 °C)
Back emf constant	39 V/krpm 68 °F (20 °C)
Rotor inertia	4.35 kg.cm <sup>2</sup>
Stator resistance	0.36 Ohm 68 °F (20 °C)
Stator inductance	2.59 mH 68 °F (20 °C)
Stator electrical time constant	7.19 ms 68 °F (20 °C)
Maximum radial force Fr	570 N 3000 rpm
Maximum axial force Fa	200 N
Brake pull-in power	10.4 W
Type of cooling	Natural convection
Length	8.88 in (225.5 mm)
Number of motor stacks	2

Centring collar diameter	3.74 in (95 mm)
Centring collar depth	0.28 in (7 mm)
Number of mounting holes	4
Mounting holes diameter	0.36 in (9.2 mm)
Circle diameter of the mounting holes	4.53 in (115 mm)
Distance shaft shoulder-flange	0.28 in (7 mm)
Net Weight	15.87 lb(US) (7.2 kg)

## Environment

IP degree of protection	IP54 IM B5, IM V1 IP50 IM V3
Ambient air temperature for operation	32...104 °F (0...40 °C)

## Ordering and shipping details

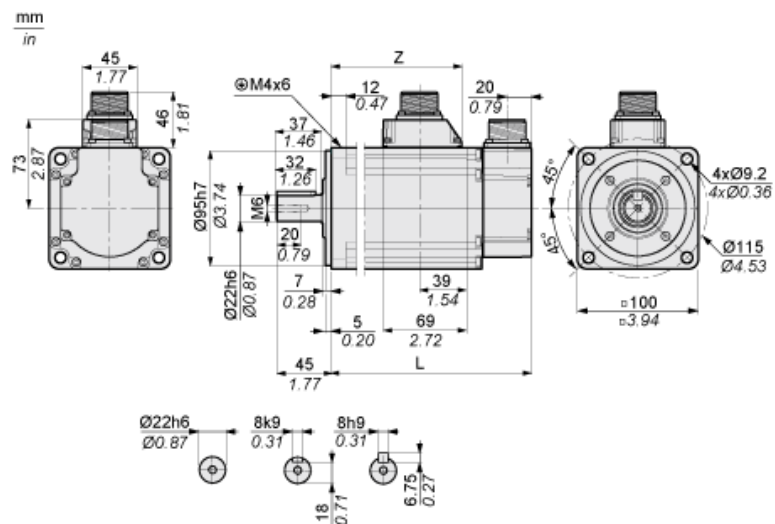
Category	18281 - LEXIUM 23/28 MOTORS
Discount Schedule	PC53
GTIN	03606480734076
Nbr. of units in pkg.	1
Package weight(Lbs)	20.3 lb(US) (9.21 kg)
Returnability	No
Country of origin	CN

## Packing Units

Unit Type of Package 1	PCE
Package 1 Height	7.13 in (18.1 cm)
Package 1 width	9.06 in (23 cm)
Package 1 Length	14.17 in (36 cm)

Dimensions

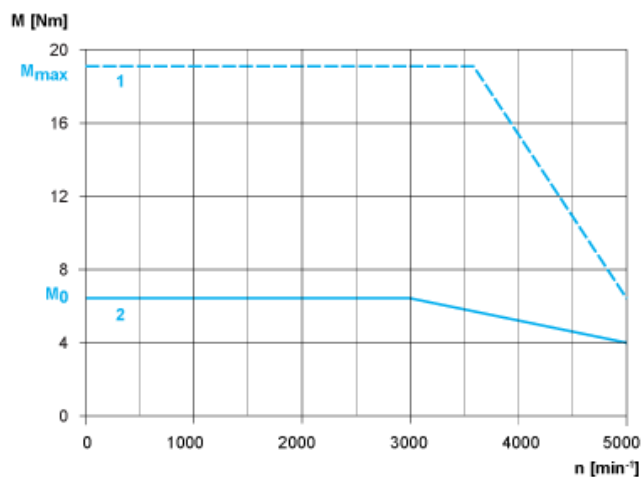
Dimensions of Motor



	mm	in.
L (without holding brake)	198.5	7.81
L (with holding brake)	225.5	8.88
Z	141	5.55

Torque/Speed Curves with 230 V Three Phase Supply Voltage

Servo Motor with LXM28AU20●●● Servo Drive



- 1 : Peak torque
- 2 : Continuous torque