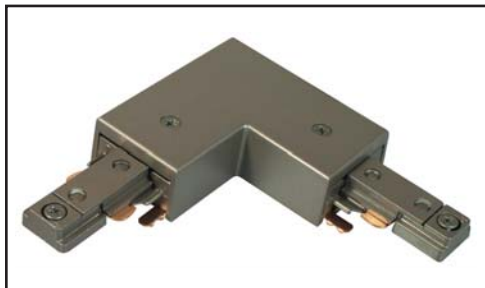


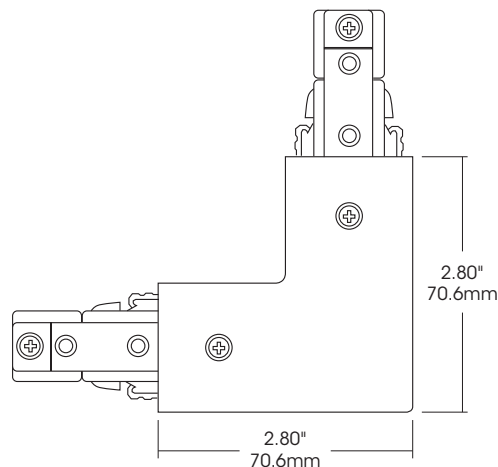
# ATKP02

## L-Power Feed Connector



### DESCRIPTION

L- Power Feed Connector, connects two track sections at 90°. Available in three colours: Black, White and Brushed Nickel.



### DESIGN FEATURES

#### • Features

- Low profile aesthetic design.
- Solid 12-gauge conductors.
- With power feed.
- Field convertible for right or left hand application.

#### • Electrical

- System Electrical Rating: 20A, 120V, 60Hz.

#### • Compatibility

- Track system is compatible with all Juno® and A-line® Style Track, accessories and connectors.

### Ordering Information

\* Juno® is a registered trademark of Juno Lighting.  
\* Halo® is a registered trademark of Cooper Industries, Inc.

Cat. No.	Finish
<input type="text"/> ATKP02	<input type="text"/> -WH : White -BK : Black -BN : Brushed Nickel

Example : ATKP02-BN