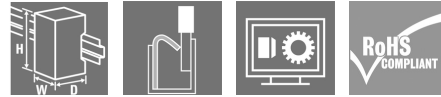


## UR20-4AO-UI-16

**Weidmüller Interface GmbH & Co. KG**  
 Klingenbergstraße 26  
 D-32758 Detmold  
 Germany

[www.weidmueller.com](http://www.weidmueller.com)

### Product image



### 2- or 4-wire connection; 16-bit resolution; 4 outputs

The analogue output module controls up to 4 analogue actuators with  $\pm 10$  V,  $\pm 5$  V, 0...10 V, 0...5 V, 2...10 V, 1...5 V, 0...20 mA or 4...20 mA with an accuracy of 0.05% of the measurement-range end value. An actuator with 2-, 3- or 4-wire technology can be connected to each plug-in connector. The measurement range is defined channel-by-channel using parameterisation. In addition, each channel has its own status LED.

The outputs are supplied from the output current path ( $U_{OUT}$ ).

### General ordering data

Version	Remote I/O module, IP20, Analog signals, Output, 4-channel, Current/Voltage
Order No.	<a href="#">1315680000</a>
Type	UR20-4AO-UI-16
GTIN (EAN)	4050118118803
Qty.	1 pc(s).
Replacement parts	<a href="#">1350930000</a> <a href="#">1347270000</a> <a href="#">1484070000</a>

## UR20-4AO-UI-16

Weidmüller Interface GmbH &amp; Co. KG

Klingenbergstraße 26

D-32758 Detmold

Germany

www.weidmueller.com

## Technical data

## Dimensions and weights

Depth	76 mm	Depth (inches)	2.992 inch
Height	120 mm	Height (inches)	4.724 inch
Width	11.5	Width (inches)	0.453 inch
Mounting dimension - height	128 mm	Net weight	87 g

## Temperatures

Storage temperature	-40 °C ... +85 °C	Operating temperature	-20 °C ... +60 °C
---------------------	-------------------	-----------------------	-------------------

## analogue outputs

Accuracy	±0,1 % FSR max., 0,05 % FSR typ.		
Actuator connection	2-wire (automatic detection), 4-wire		
Actuator supply	nominal	185 mA	
	max.	185 mA	
	min.	0 mA	
Cross-talk between the channels in FSR	0.001 %		
Individual channel diagnosis	No		
Load impedance current	< 600 Ω		
Max. error between T min. and T max. in FSR	220 %		
Module diagnosis	Yes		
Monotonicity	Yes		
Number of analogue outputs	4		
Output current as per application	max.	185 mA	
	min.	0 mA	
	nominal	185 mA	
Output variable	Voltage (0...5 V, 0...10 V, 1...5 V, 2...10 V, ±10 V, ±5 V), Current (0...20 mA or 4...20 mA)		
Repeat accuracy	< 1 mV eff.		
Resolution	16 Bit		
Response time	1 ms / 4 channels		
Short-circuit-proof	Yes		
Simultaneity factor	min.	0 %	
	max.	100 %	
	nominal	100 %	
Substitute values	Yes		
Temperature coefficient	20 ppm voltage / 31 ppm current measurement / °K		
Type	1. U (0...5 V, 0...10 V, 1...5 V, 2...10 V, ±10 V), 2. I (0-20 mA or 4-20 mA)		
load impedance voltage	> 1 kΩ (at >50 °C ambient temperature, max. total sensor current = 25 mA)		

## Connection data

Type of connection	PUSH IN	Wire connection cross section, finely stranded, max.	1.5 mm <sup>2</sup>
Wire connection cross section, finely stranded, min.	0.14 mm <sup>2</sup>	Wire cross-section, finely stranded, max. (AWG)	AWG 16
Wire cross-section, finely stranded, min. (AWG)	AWG 26	Wire cross-section, solid, max.	1.5 mm <sup>2</sup>
Wire cross-section, solid, max. (AWG)	AWG 16	Wire cross-section, solid, min.	0.14 mm <sup>2</sup>
Wire cross-section, solid, min. (AWG)	AWG 26		

## UR20-4AO-UI-16

Weidmüller Interface GmbH &amp; Co. KG

Klingenbergstraße 26

D-32758 Detmold

Germany

www.weidmueller.com

## Technical data

## General data

Air humidity (operation)	10% to 95%, non-condensing as per DIN EN 61131-2	Air humidity (storage)	10% to 95%, non-condensing as per DIN EN 61131-2
Air humidity (transport)	10% to 95%, non-condensing as per DIN EN 61131-2	Air pressure (operation)	≥ 795 hPa (height ≤ 2000 m) as per DIN EN 61131-2
Air pressure (storage)	1013 hPa (height 0 m) to 700 hPa (height 3000 m) as per DIN EN 61131-2	Air pressure (transport)	1013 hPa (height 0 m) to 700 hPa (height 3000 m) as per DIN EN 61131-2
Pollution severity	2	Rail	TS 35
Shock	15 g over 11 ms, half sinus wave, acc. to IEC 60068-2-27	Surge voltage category	II
Test voltage	500 V	UL 94 flammability rating	V-0
Vibration resistance	5 Hz ≤ f ≤ 8.4 Hz: 3.5-mm amplitude as per IEC 60068-2-6, 8.4 Hz ≤ f ≤ 150 Hz: 1 g acceleration as per IEC 60068-2-6		

## Power supply

Current consumption from I <sub>OUT</sub> (the respective power segment)	85 mA	Current consumption from I <sub>sys</sub> , typ.	8 mA
Voltage supply	24 V DC +20 %/ -15 %, via the system bus		

## System data

Diagnostic data	1 Bit	Field bus protocol	CANopen, DeviceNet, EtherCAT, EtherNet/IP, Modbus/TCP, PROFINET IRT, PROFIBUS DP-V1, POWERLINK
Galvanic isolation	DC 500 V between current paths	Interface	u-remote system bus
Module type	Analogue output module	Parameter data	12 Byte
Process data	8 Byte	Transmission speed of system bus, max.	48 Mbit

## Classifications

ETIM 6.0	EC001596	ETIM 7.0	EC001596
ETIM 8.0	EC001596	ETIM 9.0	EC001596
ECLASS 9.0	27-24-26-01	ECLASS 9.1	27-24-26-01
ECLASS 10.0	27-24-26-01	ECLASS 11.0	27-24-26-01
ECLASS 12.0	27-24-26-01	ECLASS 13.0	27-24-26-01
ECLASS 14.0	27-24-26-01		

**UR20-4AO-UI-16**

**Weidmüller Interface GmbH & Co. KG**  
 Klingenbergstraße 26  
 D-32758 Detmold  
 Germany

www.weidmueller.com

**Technical data**

**Tender specification sheets**

Long specification	Analogue output module 4AO-UI-16 4-channel ana- logue output module Con- nection system: PUSH IN Dimensions (HxWxD): 120 mm (with lever: 128 mm), 11.5 mm, 76 mm Module status: display via collec- tive message, LED at the top of the module Chan- nel status: indication di- rectly at the contact point Weight: 83 g Module diag- nosis: yes Individual chan- nel diagnosis: no Oper- ating temperature: -20°C - +60°C Process data: 8 bytes Parameter data: 12 bytes Diagnostic data: 1 bit Galvanic isolation: be- tween field and system bus Supply voltage: 24 VDC +25% / -15% Inter- nal current consumption: 8 mA Supply current con- sumption: 85 mA Accura- cy: 0.05% FSR Resolution: 16 bits Response time: 1 ms for 4 channels Out- put parameters: voltage or current Internal resistance U: 100 kΩ Internal resis- tance I: 41.2 Ω Brand: Wei- dmüller Type: UR20-4AI- UI-16
--------------------	--

**Environmental Product Compliance**

RoHS Compliance Status	Compliant with exemption
RoHS Exemption (if applicable/known)	7a, 7cl
REACH SVHC	Lead 7439-92-1
SCIP	82327f13-cd27-455a-ab5b-a62e1996dcf8

## UR20-4AO-UI-16

**Weidmüller Interface GmbH & Co. KG**  
 Klingenbergstraße 26  
 D-32758 Detmold  
 Germany

www.weidmueller.com

## Technical data

### Approvals

Approvals



ROHS	Conform
UL File Number Search	UL Website
Certificate no. (cULus)	E141197
Certificate no. (cULusEX)	E223527

### Downloads

Approval/Certificate/Document of Conformity	<a href="#">KC certificate</a> <a href="#">DNV certificate</a> <a href="#">DEMKO15ATEX1525X</a> <a href="#">CCS certificate</a> <a href="#">CCS certificate</a> <a href="#">UKCA Declaration of Conformity - EN</a> <a href="#">CE Declaration of Conformity - DE</a>
Engineering Data	<a href="#">CAD data – STEP</a> <a href="#">Compatibility information – Combinability of UR20</a>
Product Change Notification	<a href="#">Release-Notes - Firmware</a>
Software	<a href="#">Firmware – Archive firmware UR20-4AO-UI</a> <a href="#">Firmware – Current firmware UR20-4AO-UI</a>
User Documentation	<a href="#">Handbuch u-remote DE</a> <a href="#">Manual u-remote EN</a>
Catalogues	<a href="#">Catalogues in PDF-format</a>

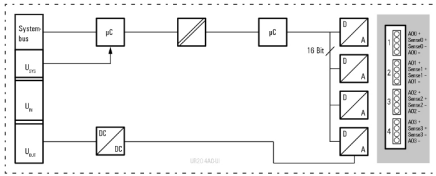
**UR20-4AO-UI-16**

**Weidmüller Interface GmbH & Co. KG**  
 Klingenbergstraße 26  
 D-32758 Detmold  
 Germany

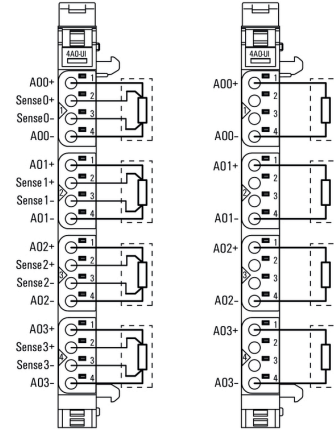
www.weidmueller.com

**Drawings**

**Block diagram**



**Connection diagram**



**Explanation of abbreviations**

**Analogue output modules**

