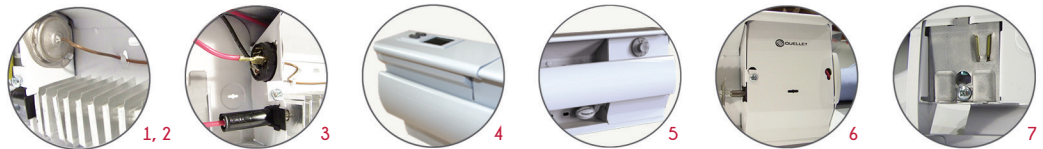


# OFM Standard Baseboard Heater



## Features

### Color

- Standard: white, almond.
- Optional (upcharge applicable): metallic silver, bronze, metallic charcoal, aluminum, semi-gloss black, sand.
- Custom colors available upon request.

### Finish

- Standard: epoxy/polyester powder paint.
- May be repainted with any interior paint.

### Voltage

- 120V, 208V, 240/208V, 277V, 347V, 480V, 600V, 1-phase.

### Construction

- 20-gauge steel connection box.
- 22-gauge steel body.
- 20-gauge steel front panel.
- Rounded upper corners.
- Linear high-limit temperature control with automatic reset. **1**

### Heating element

- Stainless steel tubular heating element with aluminum fins. **2**
- Floating heating element on high-temperature nylon bushings reducing expansion noises. **3**

### Watt density

- Average standard watt density of 275W/ft.
- Average low watt density of 200W/ft.

### Control

- Built-in mechanical thermostat kit can be installed at either end.
- Baseboard section with built-in electronic thermostat can be installed at left end only (240V only). **4**
- Built-in electronic thermostat installed in the right-hand junction box only. Only compatible with devices manufactured after 14-10-2019. **5**
- Built-in relay kit fits in the right end box only.
- A compartment for low voltage connections (located directly under the junction box) facilitates the installation of low voltage relay in electric baseboard.

*Ouellet highly recommends the use of an electronic wall thermostat for greater comfort.*

### Installation

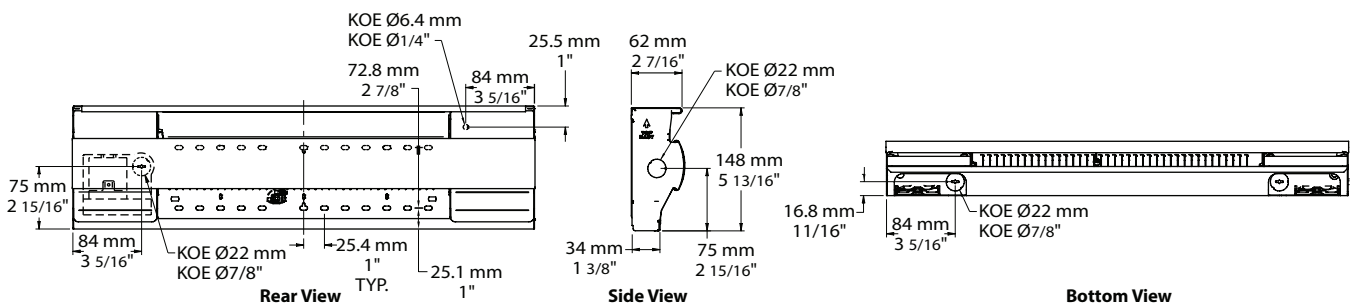
- Installation directly on the floor.
- Connection box at both ends of the heater. **6**
- Single-screw built-in wire holder. **7**
- Raceway for ease of installation.
- Two rows of mounting holes spaced on 1 in. (25.4 mm) intervals for ease of installation.
- Variety of accessories available for wall-to-wall installation.

### Warranty

- 5-year warranty against defects.
- Heating element has a lifetime warranty for the initial end user.

### Application

- Kitchen, living room, family room, bedroom, bay window, basement.



**Average Standard Watt Density Models 275W/ft.**

Watts	Watts		Product #							Length		Weight	
	240/208V	120V	Price	208V	240/208V	Price	347V	600V	Price	in.	mm	lb	kg
300	300/225	OFM0302	93.75	OFM0308	OFM0300	75.25	-	-	-	22 5/16	566	4.5	2.0
500	500/375	OFM0502	99.00	OFM0508	OFM0500	78.50	OFM0507	-	92.75	27 3/16	691	5.5	2.5
750	750/563	OFM0752	115.00	OFM0758	OFM0750	90.50	OFM0757	OFM0756	109.50	37 3/16	945	7.3	3.3
1000	1000/750	OFM1002	133.50	OFM1008	OFM1000	105.75	OFM1007	OFM1006	128.00	47 1/2	1206	9.0	4.0
1250	1250/938	OFM1252	163.00	OFM1258	OFM1250	125.50	OFM1257	OFM1256	155.75	57	1447	10.5	4.8
1500	1500/1125	OFM1502	171.25	OFM1508	OFM1500	135.75	OFM1507	OFM1506	167.00	65 11/16	1668	12.0	5.5
1750	1750/1313	-	-	OFM1758	OFM1750	161.75	OFM1757	OFM1756	201.25	75	1905	13.5	6.2
2000	2000/1500	-	-	OFM2008	OFM2000	177.50	OFM2007	OFM2006	214.00	83 13/16	2128	15.0	6.8
2250 <sup>1</sup>	2250/1688 <sup>1</sup>	-	-	OFM2258	OFM2250	195.75	OFM2257	OFM2256	237.25	92 5/8	2353	16.5	7.5
2500 <sup>1</sup>	2500/1875 <sup>1</sup>	-	-	OFM2508	OFM2500	210.75	OFM2507	OFM2506	253.75	101 13/16	2585	18.0	8.2

**Average Low Watt Density Models 200W/ft.**

Watts	Watts		Product #							Length		Weight	
	240/208V	120V	Price	208V	240/208V	Price	347V	600V	Price	in.	mm	lb	kg
300	300/225	OFM0302-691	99.00	OFM0308-691	OFM0300-691	78.50	-	-	-	27 3/16	691	5.5	2.5
500	500/375	OFM0502-945	115.00	OFM0508-945	OFM0500-945	90.50	OFM0507-945	-	109.50	37 3/16	945	7.3	3.3
750	750/563	OFM0752-1206	133.50	OFM0758-1206	OFM0750-1206	105.75	OFM0757-1206	OFM0756-1206	128.00	47 1/2	1206	9.0	4.0
1000	1000/750	OFM1002-1447	163.00	OFM1008-1447	OFM1000-1447	125.50	OFM1007-1447	OFM1006-1447	155.75	57	1447	10.5	4.8
1250	1250/938	OFM1252-1668	171.25	OFM1258-1668	OFM1250-1668	135.75	OFM1257-1668	OFM1256-1668	167.00	65 11/16	1668	12.0	5.5
1500	1500/1125	OFM1502-2128	205.00	OFM1508-2128	OFM1500-2128	177.50	OFM1507-2128	OFM1506-2128	214.00	83 13/16	2128	15.0	6.8
1750 <sup>1</sup>	1750/1313 <sup>1</sup>	-	-	OFM1758-2353	OFM1750-2353	195.75	OFM1757-2353	OFM1756-2353	237.25	92 5/8	2353	16.5	7.5
2000 <sup>1</sup>	2000/1500 <sup>1</sup>	-	-	OFM2008-2585	OFM2000-2585	210.75	OFM2007-2585	OFM2006-2585	253.75	101 13/16	2585	18.0	8.2
2250 <sup>1</sup>	2250/1688 <sup>1</sup>	-	-	OFM2258-2585	OFM2250-2585	210.75	OFM2257-2585	OFM2256-2585	253.75	101 13/16	2585	18.0	8.2

**Options**

Product # Kit	Product # Factory installed*	Price	Description
KIT-OFM-CI	-	103.75	Corners (inside and outside)
KIT-OFM-DIS20	DIS20	160.75	Disconnect switch, double-pole, 20A at 250V max.
KIT-OFM-JT	-	48.25	Splice plate 3 9/16 in. (90 mm)
KIT-OFM-RO1	-	81.75	Baseboard section 6 in. (152 mm) - Surface-mount 5-15R receptacle - 15A at 120V
KIT-OFM-RO2	-	277.50	Baseboard section 6 in. (152 mm) - 240V splitter box toward a surface-mount, 6-20R receptacle (20A switch, double-pole, double-throw)
KIT-OFM-RO2B	-	224.75	Baseboard section 6 in. (152 mm) - Surface-mount 6-20R receptacle - 240V
KIT-OFM-R-347	R	86.25	Single-pole relay, coil 24V, without transformer, 22A at 120V, 208V, 240V - 18A at 347V
KIT-OFM-R-600	R	117.25	Single-pole relay, coil 24V, without transformer, 10A at 600V
KIT-OFM-RT-120	RT	145.75	Single-pole relay, coil 24V, with transformer 120V/24V, 22A at 120V
KIT-OFM-RT-208	RT	121.75	Single-pole relay, coil 24V, with transformer 208V/24V, 22A at 208V
KIT-OFM-RT-240	RT	121.75	Single-pole relay, coil 24V, with transformer 240V/24V, 22A at 240V
KIT-OFM-RT-277	RT	121.75	Single-pole relay, coil 24V, with transformer 277V/24V, 19A at 277V
KIT-OFM-RT-347	RT	121.75	Single-pole relay, coil 24V, with transformer 347V/24V, 18A at 347V
KIT-OFM-RT-600 <sup>3</sup>	RT <sup>3</sup>	175.25	Single-pole relay, coil 24V, with transformer 600V/24V, 10A at 600V (2-wire only)
KIT-OFM-240SPLITTER	-	120.75	Baseboard section 6 in. (152 mm) - 240V splitter box to permanently connect a secondary product (20A switch, double-pole, double-throw)
KIT-OFM-THA <sup>5</sup>	THACD <sup>5</sup>	72.25	Built-in electronic thermostat with rotary knob installed in the right junction box only: 12.5A at 120V, 208V, 240V
-	THCG <sup>4</sup>	178.00	Baseboard section 6 in. (152 mm) with built-in electronic thermostat (240V only), installed at left end
KIT-OFM-SR	-	87.00	Baseboard section 6 in. (152 mm) for the installation of a 24V relay (relay not included)
KIT-OFM-TB6	TB6	46.50	Single-pole bi-metal thermostat: 25A at 120V, 208V, 240V, 277V - 10A at 347V, 480V, 600V
KIT-OFM-TB26 <sup>2</sup>	TB26 <sup>2</sup>	56.00	Double-pole bi-metal thermostat: 25A at 120V, 208V, 240V, 277V - 10A at 347V, 480V, 600V
KIT-OFM-TB6-AV	TB6AV	83.00	Single-pole bi-metal tamperproof thermostat: 25A at 120V, 208V, 240V, 277V - 10A at 347V, 480V, 600V
KIT-OFM-TB26-AV <sup>2</sup>	TB26AV <sup>2</sup>	85.50	Double-pole bi-metal tamperproof thermostat: 25A at 120V, 208V, 240V, 277V - 10A at 347V, 480V, 600V
KIT-OFM-TRIAC-347	TRIAC	85.25	Single-pole electronic relay, coil 24V, without transformer, 15A at 347V max.
KIT-OFM-TRIAC-347T	TRIACT	120.00	Single-pole electronic relay, coil 24V, with transformer, 15A at 208V, 240V, 277V, 347V
KIT-OFM-TRIAC-600	TRIAC	156.25	Single-pole electronic relay, coil 24V, without transformer, 10A at 600V max.

\* For factory installed options, add the option number to the product number. See the **Product Code** section inside the front cover.

<sup>1</sup> These models must be ordered in pairs to reduce shipping damages.

<sup>2</sup> "Off" position.

<sup>3</sup> These 2-wire relays with transformer can't supply of 3-wire low voltage thermostats.

<sup>4</sup> The white and almond baseboard sections come with an integrated white thermostat. The integrated thermostat is black for all other colors.

<sup>5</sup> Compatible with the devices manufactured after 14-10-2019 only.

Add "BL" for white, "AM" for almond. Upcharge available for optional colors shown in the color chart section.

Other voltages available upon request.