

ILP2R852MB1A

Motion integrated drive, Lexium integrated drive, ILP with 2-phase stepper motor, 24VDC to 48VDC, RS485, 3.12 Nm



Main

Range of Product	Lexium integrated drive
Product or Component Type	Motion integrated drive
Device short name	ILP
Motor Type	2-phase stepper motor
Network type	DC
Electrical Connection	Flying leads
[Us] rated supply voltage	24...48 V
Length	4.60 in (116.84 mm)
Winding type	Medium speed of rotation and medium torque
Gear box type	Without
Nominal speed	150 rpm 24 V 300 rpm 48 V
Holding torque	27.61 lbf.in (3.12 N.m)

Complementary

Communication interface	RS485
Transmission Rate	4.8, 9.6, 19.2, 38.4, 115 kbauds
Mounting Support	Flange
Motor flange size	3.35 in (85 mm)
Feedback type	Index pulse
Holding brake	Without
Supply voltage limits	12...48 V
Current consumption	3.4 A maximum continuous
Input/output type	4 signals (each be used as input or output)
Voltage state 0 guaranteed	<= 0.8 V
Voltage state 1 guaranteed	>= 2.2 V
Discrete input current	1.75 mA at 24 V 24 V signal interface
Maximum switching current	275 MA four channels 600 mA single channel
Protection Type	Overload of output voltage Short circuit of the output voltage
Peak stall torque	27.61 lbf.in (3.12 N.m)
Continuous stall torque	27.61 lbf.in (3.12 N.m)
Speed feedback resolution	1000 steps 10000 steps 12800 steps 1600 steps 200 steps 2000 steps 20000 steps 25000 steps 25600 steps 3200 steps 400 steps 40000 steps 5000 steps 50000 steps 51200 steps 6400 steps 800 steps

The information provided in this documentation contains general descriptions and/or technical characteristics of the performance of the products contained herein. This documentation is not intended as a substitute for and is not to be used for determining suitability or reliability of these products for specific user applications. It is the duty of any such user or integrator to perform the appropriate and complete risk analysis, evaluation and testing of the products with respect to the relevant specific application or use thereof. Neither Schneider Electric Industries SAS nor any of its affiliates or subsidiaries shall be responsible or liable for misuse of the information contained herein.

Accuracy error	+/- 0.3 arc/min
Rotor inertia	1.6 kg.cm ²
Service life in hours	20000 h
Marking	CE
Net Weight	5.51 lb(US) (2.5 kg)

Environment

Standards	EN 55011:2007, A2:2007 for Group 1, Class A EN 61000-3-3:1995, A1:2001, A2:2005 IEC 61000-4-11 IEC 61000-4-3 IEC 61000-4-5 IEC 61000-4-4 EMC immunity IEC 61000-4-2 IEC 61000-4-6 EN 61000-3-2 : 2006
Ambient air temperature for operation	122...149 °F (50...65 °C) with power derating of 2 % per °C) 32...122 °F (0...50 °C) without derating)
Permissible ambient air temperature around the device	212 °F (100 °C)
Ambient Air Temperature for Storage	-13...158 °F (-25...70 °C)
Operating altitude	<= 3280.84 ft (1000 m) without derating
Relative humidity	15...85 % without condensation
IP degree of protection	Total except shaft bushing IP20 EN/IEC 60034-5 Shaft bushing IP41 EN/IEC 60034-5

Ordering and shipping details

Category	11300-MISC. ITEMS
Discount Schedule	NET
GTIN	3606480157141
Returnability	No

Packing Units

Unit Type of Package 1	PCE
Number of Units in Package 1	1
Package 1 Height	7.87 in (20.0 cm)
Package 1 Width	10.04 in (25.5 cm)
Package 1 Length	12.72 in (32.3 cm)
Package 1 Weight	7.17 lb(US) (3.254 kg)
Unit Type of Package 2	S06
Number of Units in Package 2	8
Package 2 Height	28.94 in (73.5 cm)
Package 2 Width	23.62 in (60.0 cm)
Package 2 Length	31.50 in (80.0 cm)
Package 2 Weight	86.05 lb(US) (39.032 kg)

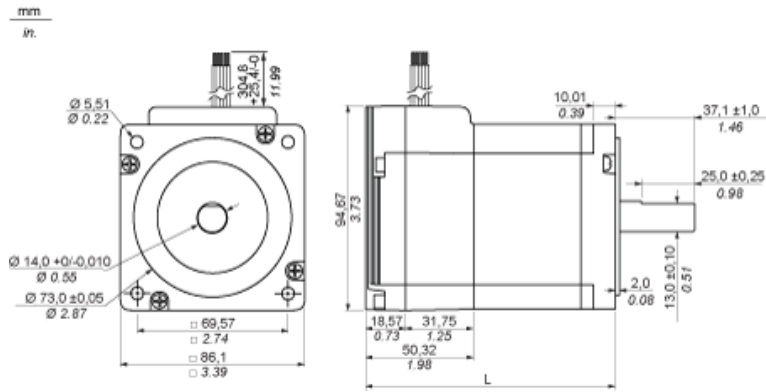
Offer Sustainability

California proposition 65	WARNING: This product can expose you to chemicals including: Lead and lead compounds, which is known to the State of California to cause cancer and birth defects or other reproductive harm. For more information go to www.P65Warnings.ca.gov
REACH Regulation	 REACH Declaration
EU RoHS Directive	Pro-active compliance (Product out of EU RoHS legal scope)
Mercury free	Yes
China RoHS Regulation	 China RoHS Declaration
RoHS exemption information	 Yes

WEEE	The product must be disposed on European Union markets following specific waste collection and never end up in rubbish bins.
PVC free	Yes
Contractual warranty	
Warranty	18 months

Integrated Drive with Flying Leads

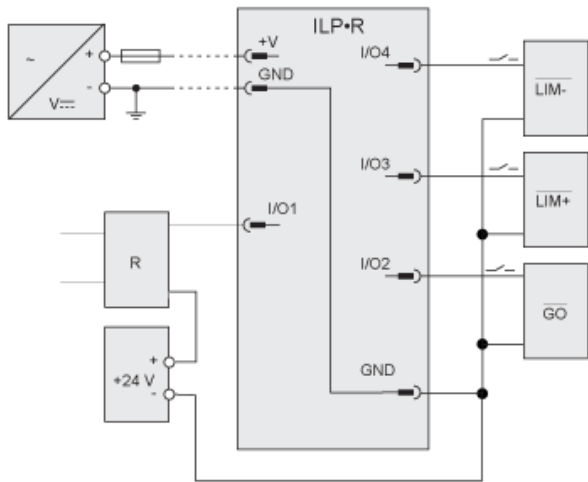
Dimensions



L 116.84 mm/4.60 in.

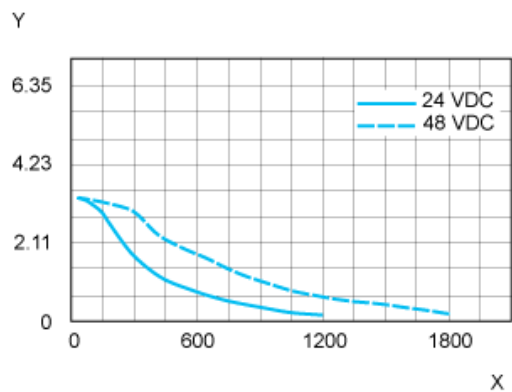
Connection Example with 4 I/O Signals

Three sinking inputs (I/O4 - I/O2) and a sourcing output (I/O1).



R Relay

Torque Characteristics



X Speed of rotation in rpm
Y Torque in Nm