



### Main

Range of Product	Modicon Premium Automation platform
Product or Component Type	Discrete output module
Discrete output number	8
Discrete output type	Solid state protected
Discrete output voltage	24 V DC positive EN/IEC 61131-2 19...30 V
Discrete output current	2 A

### Complementary

Current per channel	2.5 A
Maximum current per module	14 A
Maximum leakage current	1 mA at state 0
[Ures] residual voltage	0.5 V
Response time	0.2 ms
Switching frequency	0.5/LI <sup>2</sup> Hz
Output overvoltage protection	By transil diode
Reverse polarity protection	Reverse mounted diode
Output overload protection	Electronic tripping on reactivation
Short-circuit protection	Electronic tripping on reactivation
Preactuator voltage detection threshold	16 V
Minimum load impedance	12 W
Isolation resistance	> 10 MOhm 500 V
Power dissipation	(1.3 W + 0.2 W x No of outputs x current per module)
Marking	CE
Electrical connection	Screw terminal block
Current consumption	55 mA 5 V DC
Module format	Standard
Net Weight	0.90 lb(US) (0.41 kg)

### Environment

Dielectric strength	1500 V 50/60 Hz 60 s
Standards	CSA C22.2 No 213 Class I Division 2 Group D CSA C22.2 No 213 Class I Division 2 Group B CSA C22.2 No 142 CSA C22.2 No 213 Class I Division 2 Group A 93/68/EEC 73/23/EEC 92/31/EEC UL 508 IEC 61131-2 CSA C22.2 No 213 Class I Division 2 Group C 89/336/EEC
Product Certifications	RINA[RETURN]GL[RETURN]RMRS[RETURN]BV[RETURN]ABS[RETURN]LR[RETURN]DNV
Ambient Air Temperature for Operation	32...140 °F (0...60 °C)
Ambient Air Temperature for Storage	-13...158 °F (-25...70 °C)
Relative Humidity	10...95 % without condensation for operation 5...95 % without condensation for storage

Operating altitude	0...6561.68 ft (0...2000 m)
Protective treatment	TC
IP Degree of Protection	IP20
Pollution degree	2

### Ordering and shipping details

Category	22558-TSX PREMIUM, ATRIUM & PL7 PRO
Discount Schedule	PC22
GTIN	3389110717594
Returnability	No
Country of origin	FR

### Packing Units

Unit Type of Package 1	PCE
Number of Units in Package 1	1
Package 1 Height	2.17 in (5.5 cm)
Package 1 Width	7.09 in (18.0 cm)
Package 1 Length	10.24 in (26.0 cm)
Package 1 Weight	18.55 oz (526.0 g)

### Offer Sustainability

California proposition 65	WARNING: This product can expose you to chemicals including: Lead and lead compounds which is known to the State of California to cause cancer and birth defects or other reproductive harm. For more information go to <a href="http://www.P65Warnings.ca.gov">www.P65Warnings.ca.gov</a>
---------------------------	--

### Contractual warranty

Warranty	18 months
----------	-----------

Standard and Extendable Racks for Modules Mounting

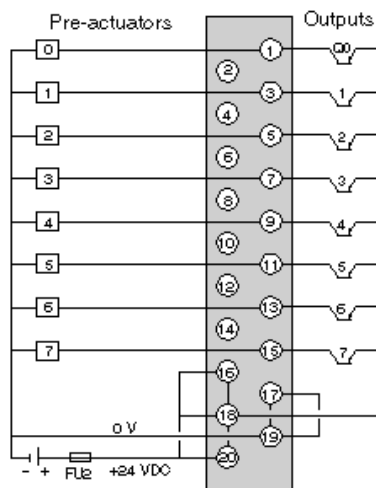
Dimensions of Modules and Racks



- (1) With screw terminal block modules.
- (2) Maximum depth for all types of modules and their associated connectors.

## 24 Vdc Discrete Transistor Output 8-Channel Module

### Wiring Diagram



FU2 16 A quick-blow fuse