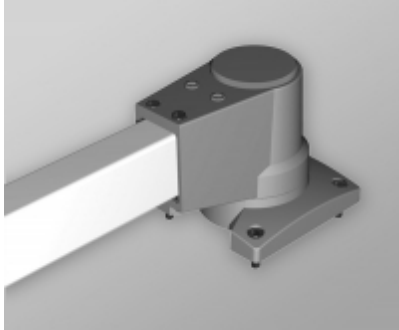




Quality Products. Service Excellence.

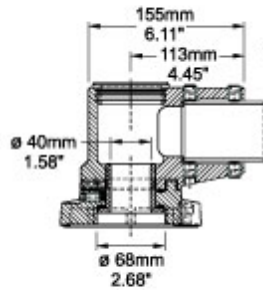
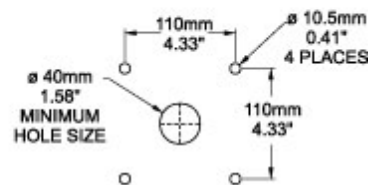
# Tara Plus Socket Joint *TPSSSJ Series*



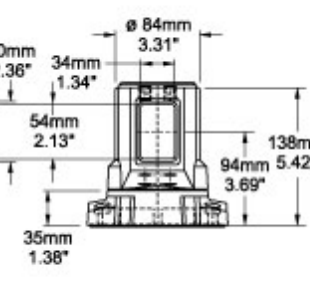
- Accepts 60x40mm rectangular tube parallel to its mounting surface.
- Die-cast Aluminum G Al Si 12.
- Integrated movement stop.
- Service free bearings.
- Rotates 300°.
- Adjustment screws (red screws).
- Accessible from the top.



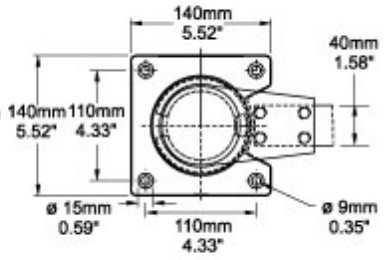
### Hole Pattern



**Front Section Socket Joint**



**End View**



**TopView**

Part No.	R149-005-000
----------	--------------

Data subject to change without notice

© 2022. Hammond Manufacturing Ltd. All rights reserved.