

EJWT & E500T SERIES

DELAY, INTERVAL &
PERCENTAGE TIME CYCLE
TIME SWITCHES

PERFECT FOR
PROCESS
CONTROL

APPLICATIONS



- Poultry and livestock
- Agriculture or greenhouse
- Oil well pumping
- Ventilation
- Process control



FEATURES

EJWT – PERCENTAGE TIMER

960 time combinations with two dials.
Cycle Time Dial sets 32 repeating cycles from 15 seconds to 24 hours.
Percentage ON Dial has 32 steps from 0% to 100%.
Repeats cycle as long as power is applied.

E500T – ON DELAY TIMER

Dial sets 30 time delay durations from 5 seconds to 3 hours.
External switch activated starts delay to ON.
Runs until external switch turns OFF.

E501T – AUTO OFF INTERVAL TIMER

Dial sets 30 time durations from 10 seconds to 12 hours.
Start/Stop button or External switch starts interval ON.
Automatically turns OFF at end of preset time.
START/STOP or External switch turns OFF.

E502T – OFF DELAY TIMER

Dial sets 30 time durations from 5 seconds to 3 hours.
External switch starts interval ON.
Automatically turns OFF at end of preset time.
External switch turns OFF.

STANDARDS: Listed UL916.

CAT. NO.	UPC CODE	INPUT SUPPLY (VAC) 60 Hz	OUTPUT CONTACT
EJWT	82513	120-240	SPDT
E500T	82514	120-240	SPDT
E501T	82515	120-240	SPDT
E502T	82516	120-240	SPDT

TYPE	VOLTAGE (VAC)	RATING	
		NO	NC
General Purpose	120-240	20A	10A
Resistive	120-240	20A	10A
Motor	120	1HP	1/4HP
	208-240	2HP	1/2HP
Pilot Duty	120/240	470VA	275VA

SPECIFICATIONS

TIMING ACCURACY: 1% of timing range.

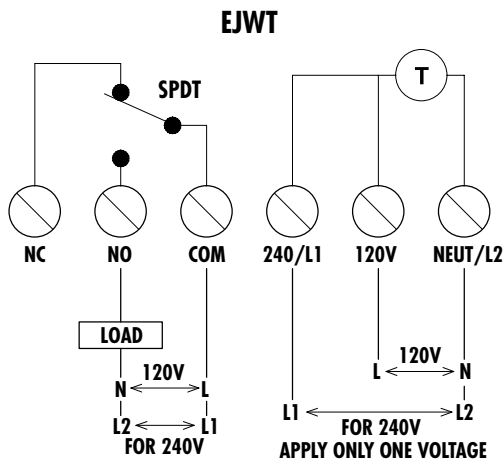
INPUT VOLTAGE: 120/240VAC, 60Hz.

TERMINAL RANGE: #12 - #18AWG.

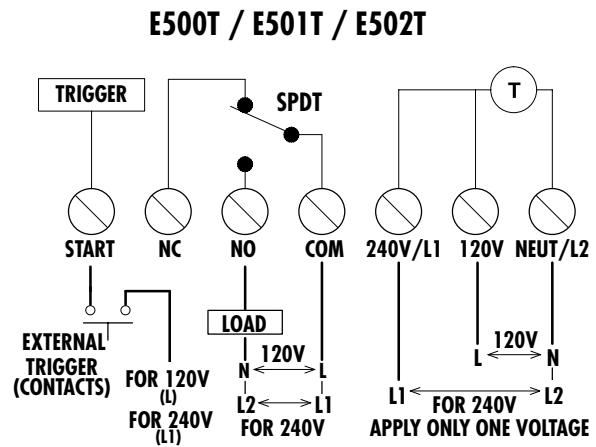
OPERATING TEMPERATURE:
32°F to +122°F (0°C to + 50°C).

POWER CONSUMPTION: 1.6VA Maximum.

ENCLOSURE: Indoor NEMA 4X is standard
(see pages 589-593 for enclosure dimensions).



Use copper conductors. For supply connections use AWG #12 wire rated for at least 90°C (194°F) or equivalent.



Use copper conductors. For supply connections use AWG #12 wire rated for at least 90°C (194°F) or equivalent.