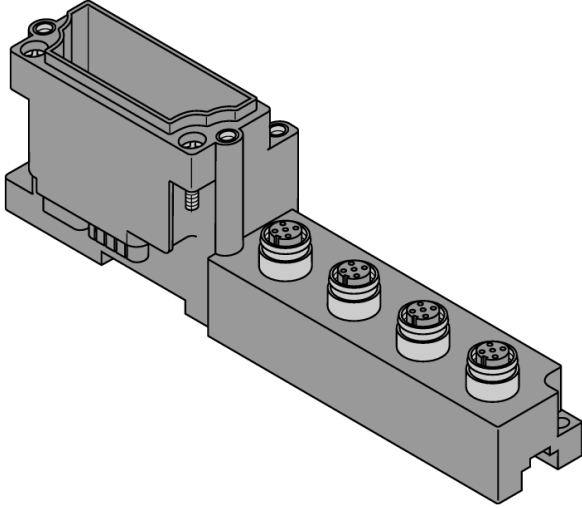


## Product BL67-B-4M12-P



BL67 base module

4 x M12 connector, 5-pole, paired

**Order number:** M6827195

- Passive connection components for sensors and actuators
- Quick replacement of electronics in wired state
- Mechanical coding prevents accidental plugging of the wrong electronic module
- Protection class IP67
- M12 connection technology
- 5-pin
- 4 slots
- Pairwise assignment

EAN	4047101109221
eCl@ss-Code (V5.1.4):	27250301 -/- Module rack (periphery)
Customs tariff number	85389099
Country of origin	DE
Weight	245 g
Connection technology signal	M12
Device type	Base module
Protection class	IP67
Product Family	BL67