



Main

| | |
|---------------------------------|----------------------|
| Range of Product | Harmony 9001K |
| Product or Component Type | Head for push-button |
| Device short name | 9001K |
| Operator profile | Projecting, unmarked |
| Operator additional information | Without guard |

Complementary

| | |
|-------------------------------|-----------------------|
| Mounting diameter | 1.18 in (30 mm) |
| Shape of signaling unit head | Round |
| Type of operator | Spring return |
| Net Weight | 0.20 lb(US) (0.09 kg) |
| Bezel material | Metal |
| Cap/operator or lens colour | 7 colours choice |
| Operator profile | Projecting |
| Type of operator | Spring return |
| Contacts type and composition | Without contact block |

Ordering and shipping details

| | |
|-------------------|-----------------------------|
| Category | 21426-9001 K (NOT KA,KM,KX) |
| Discount Schedule | CS1 |
| GTIN | 785901874911 |
| Returnability | Yes |
| Country of origin | MX |

Packing Units

| | |
|------------------------------|----------------------------|
| Unit Type of Package 1 | PCE |
| Number of Units in Package 1 | 1 |
| Package 1 Height | 2.00 in (5.08 cm) |
| Package 1 Width | 2.30 in (5.842 cm) |
| Package 1 Length | 2.80 in (7.112 cm) |
| Package 1 Weight | 3.68 oz (104.326 g) |
| Unit Type of Package 2 | PAL |
| Number of Units in Package 2 | 3200 |
| Package 2 Height | 40.00 in (101.6 cm) |
| Package 2 Width | 40.00 in (101.6 cm) |
| Package 2 Length | 48.00 in (121.92 cm) |
| Package 2 Weight | 766.00 lb(US) (347.451 kg) |

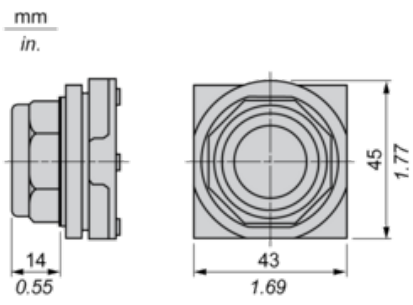
Offer Sustainability

| | |
|----------------------------|---|
| Sustainable offer status | Green Premium product |
| California proposition 65 | WARNING: This product can expose you to chemicals including: Lead and lead compounds, which is known to the State of California to cause cancer and birth defects or other reproductive harm. For more information go to www.P65Warnings.ca.gov |
| REACH Regulation | REACH Declaration |
| EU RoHS Directive | Pro-active compliance (Product out of EU RoHS legal scope) |
| Mercury free | Yes |
| China RoHS Regulation | China RoHS Declaration |
| RoHS exemption information | Yes |
| Environmental Disclosure | Product Environmental Profile |
| Circularity Profile | No need of specific recycling operations |
| WEEE | The product must be disposed on European Union markets following specific waste collection and never end up in rubbish bins. |

Contractual warranty

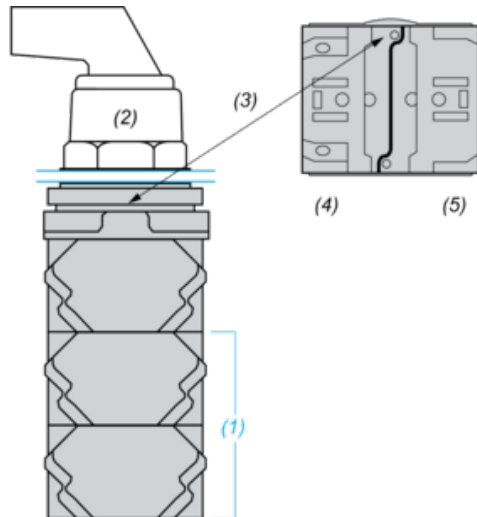
| | |
|----------|-----------|
| Warranty | 18 months |
|----------|-----------|

Dimensions



Contact Block Mounting Position

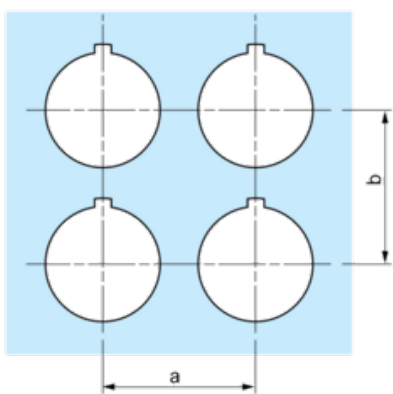
Top and Rear views



- (1) It is possible to mount up to 3 levels of contacts blocks (maximum of 6 contacts blocks)
- (2) Operator
- (3) Locating notch
- (4) Side 1
- (5) Side 2

Panel Cut-Out

Clearance



| Legend plate | a min. | | b min. | |
|--------------|--------|------|--------|------|
| | mm | in. | mm | in. |
| 9001KN2** | 57.2 | 2.25 | 44.5 | 1.75 |
| 9001KN3** | 57.2 | 2.25 | 50.8 | 2.00 |

Individual Cut-outs Details

2 alternatives

mm
in.

