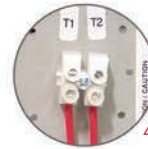
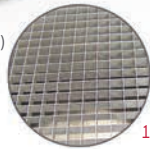
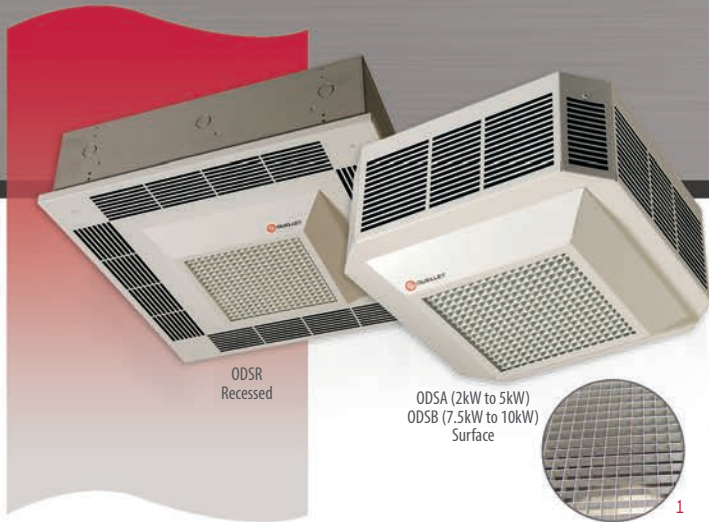


ODS Ceiling Forced-Air Diffuser



Features

Color

- Standard: white, almond.
- Optional: metallic silver, bronze, metallic charcoal, textured black, beige-grey, aluminum, semi-gloss black (10% upcharge).
- Custom colors available upon request.

Finish

- Standard: epoxy/polyester powder paint.

Voltage

- 208V, 240V, 277V, 347V, 480V, 600V, 1 or-3 phase.

Construction

- Outlet grille made of flat ribbon wire. **1**
- High-limit temperature control with automatic reset. **2**

Fan

- Totally enclosed and lifetime-lubricated ball bearing motor. **3**
- Fan delay purges heater of residual heat. **3**

Heating element

- Three stainless steel tubular heating elements with aluminum fins. **5**

Control

- Line voltage control standard.
- Built-in 240V contactor for: all units from 5 to 10kW, all units at 347V, 480V, 600V, all units at 3-phase.
- 24V and 120V control circuit available.
- Built-in tamperproof thermostat available.
- 24V relay (with or without transformer) available.
- Continuous circulation controlled by a built-in switch with power-on indicator light available (-CV).

*Any remote thermostat or relay must be connected to the heater control terminal block. **4***

Installation

- Recommended height: between 8 ft. (2.4 m) and 12 ft. (3.6 m).
- Recessed into insulated or T-bar ceiling (ODSR).
- Surface mounting (ODSA and ODSB).

Warranty

- 1-year warranty against defects.
- 10-year warranty on the heating elements.

Application

- Apartment building, commercial building, drop ceiling, stairwell, garage.

ODS

Models

Watts	Volts (ph)	Product #	Volts (ph)	Product #	cfm	Temperature Rise °C	Temperature Rise °F	Motor HP	Motor rpm
ODSA Surface									
2000	240 (1)	ODSA02000	240 (3)	ODSA02030	310	11	20	1/50	1550
3000	240 (1)	ODSA03000	240 (3)	ODSA03030	310	17	30	1/50	1550
4000	240 (1)	ODSA04000	240 (3)	ODSA04030	310	23	41	1/50	1550
5000	240 (1)	ODSA05000	240 (3)	ODSA05030	310	28	51	1/50	1550
2000	208 (1)	ODSA02008	208 (3)	ODSA02038	310	11	20	1/50	1550
3000	208 (1)	ODSA03008	208 (3)	ODSA03038	310	17	30	1/50	1550
4000	208 (1)	ODSA04008	208 (3)	ODSA04038	310	23	41	1/50	1550
5000	208 (1)	ODSA05008	208 (3)	ODSA05038	310	28	51	1/50	1550
2000	277 (1)	ODSA02077	-	-	310	11	20	1/50	1550
3000	277 (1)	ODSA03077	-	-	310	17	30	1/50	1550
4000	277 (1)	ODSA04077	-	-	310	23	41	1/50	1550
5000	277 (1)	ODSA05077	-	-	310	28	51	1/50	1550
2000	347 (1)	ODSA02007	-	-	310	11	20	1/50	1550
3000	347 (1)	ODSA03007	-	-	310	17	30	1/50	1550
4000	347 (1)	ODSA04007	-	-	310	23	41	1/50	1550
5000	347 (1)	ODSA05007	-	-	310	28	51	1/50	1550
2000	480 (1)	ODSA02004	480 (3)	ODSA02034	310	11	20	1/50	1550
3000	480 (1)	ODSA03004	480 (3)	ODSA03034	310	17	30	1/50	1550
4000	480 (1)	ODSA04004	480 (3)	ODSA04034	310	23	41	1/50	1550
5000	480 (1)	ODSA05004	480 (3)	ODSA05034	310	28	51	1/50	1550
2000	600 (1)	ODSA02006	600 (3)	ODSA02036	310	11	20	1/50	1550
3000	600 (1)	ODSA03006	600 (3)	ODSA03036	310	17	30	1/50	1550
4000	600 (1)	ODSA04006	600 (3)	ODSA04036	310	23	41	1/50	1550
5000	600 (1)	ODSA05006	600 (3)	ODSA05036	310	28	51	1/50	1550
ODSB Surface									
7500	240 (1)	ODSB07500	240 (3)	ODSB07530	600	22	39	1/33	1550
10000	240 (1)	ODSB10000	240 (3)	ODSB10030	600	29	53	1/33	1550
7500	208 (1)	ODSB07508	208 (3)	ODSB07538	600	22	39	1/33	1550
9900	208 (1)	ODSB09908	208 (3)	ODSB09938	600	29	53	1/33	1550
7500	277 (1)	ODSB07577	347 (1)	ODSB07507	600	22	39	1/33	1550
10000	277 (1)	ODSB10077	347 (1)	ODSB10007	600	29	53	1/33	1550
7500	480 (1)	ODSB07504	480 (3)	ODSB07534	600	22	39	1/33	1550
10000	480 (1)	ODSB10004	480 (3)	ODSB10034	600	29	53	1/33	1550
7500	600 (1)	ODSB07506	600 (3)	ODSB07536	600	22	39	1/33	1550
10000	600 (1)	ODSB10006	600 (3)	ODSB10036	600	29	53	1/33	1550
ODSR Recessed									
2000	240 (1)	ODSR02000	240 (3)	ODSR02030	310	11	20	1/50	1550
3000	240 (1)	ODSR03000	240 (3)	ODSR03030	310	17	30	1/50	1550
4000	240 (1)	ODSR04000	240 (3)	ODSR04030	310	23	41	1/50	1550
5000	240 (1)	ODSR05000	240 (3)	ODSR05030	310	28	51	1/50	1550
2000	208 (1)	ODSR02008	208 (3)	ODSR02038	310	11	20	1/50	1550
3000	208 (1)	ODSR03008	208 (3)	ODSR03038	310	17	30	1/50	1550
4000	208 (1)	ODSR04008	208 (3)	ODSR04038	310	23	41	1/50	1550
5000	208 (1)	ODSR05008	208 (3)	ODSR05038	310	28	51	1/50	1550
2000	277 (1)	ODSR02077	-	-	310	11	20	1/50	1550
3000	277 (1)	ODSR03077	-	-	310	17	30	1/50	1550
4000	277 (1)	ODSR04077	-	-	310	23	41	1/50	1550
5000	277 (1)	ODSR05077	-	-	310	28	51	1/50	1550
2000	347 (1)	ODSR02007	-	-	310	11	20	1/50	1550
3000	347 (1)	ODSR03007	-	-	310	17	30	1/50	1550
4000	347 (1)	ODSR04007	-	-	310	23	41	1/50	1550
5000	347 (1)	ODSR05007	-	-	310	28	51	1/50	1550
2000	480 (1)	ODSR02004	480 (3)	ODSR02034	310	11	20	1/50	1550
3000	480 (1)	ODSR03004	480 (3)	ODSR03034	310	17	30	1/50	1550
4000	480 (1)	ODSR04004	480 (3)	ODSR04034	310	23	41	1/50	1550
5000	480 (1)	ODSR05004	480 (3)	ODSR05034	310	28	51	1/50	1550
2000	600 (1)	ODSR02006	600 (3)	ODSR02036	310	11	20	1/50	1550
3000	600 (1)	ODSR03006	600 (3)	ODSR03036	310	17	30	1/50	1550
4000	600 (1)	ODSR04006	600 (3)	ODSR04036	310	23	41	1/50	1550
5000	600 (1)	ODSR05006	600 (3)	ODSR05036	310	28	51	1/50	1550

Add "BL" for white, "AM" for almond. Optional colors shown in the color chart section (page 105) are available with a 10% upcharge.

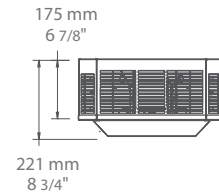
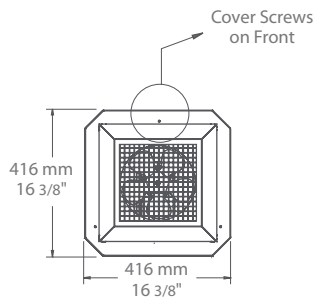
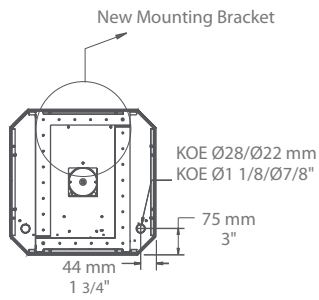
ODS

Options

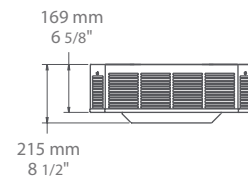
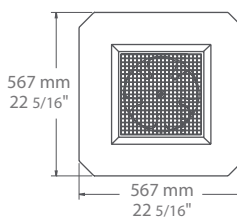
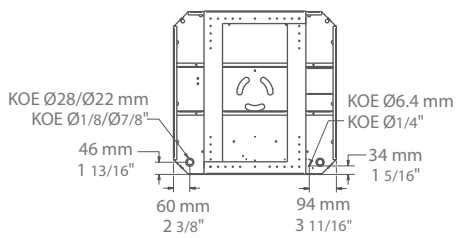
Product #	Description	Factory Installed	Kit
ODS-120	120V control circuit	✓	-
ODS-CV	Summer fan switch and pilot light	✓	-
ODS-DIS20	Disconnect switch, double-pole, 20A at 277V and less	✓	✓
ODS-DIS40	Disconnect switch, triple-pole, 40A at 600V max.	✓	✓
ODS-DIS80	Disconnect switch, triple-pole, 80A at 600V	✓	✓
ODS-R	24V control relay, without transformer	✓	✓
ODS-R/CV-24	Summer fan relay 24V, remote control and pilot light (switch not included)	✓	-
ODS-R/CV-240	Summer fan relay 240V, remote control and pilot light (switch not included)	✓	-
ODS-RT	24V control relay, with transformer	✓	-
ODS-T-AV	Thermostat tamperproof	✓	✓
ODS-T-BAR	Adaptor for T-bar ceiling, ODSA only	-	✓

For options available as factory installed and kit, if not mentioned on the order, will automatically be shipped as a kit.

ODSA - Surface 2-5kW, 25 lbs (11.4 kg)



ODSB - Surface 7.5-10kW, 34 lbs (15.5 kg)



ODSR - Recessed 2-5kW, 31 lbs (14.1 kg)

