

VW3A5104

motor choke, Altivar, for variable speed drive,
215A, set of 3



The information provided in this documentation contains general descriptions and/or technical characteristics of the performance of the products contained herein. This documentation is not intended as a substitute for and is not to be used for determining suitability or reliability of these products for specific user applications. It is the duty of any such user or integrator to perform the appropriate and complete risk analysis, evaluation and testing of the products with respect to the relevant specific application or use thereof. Neither Schneider Electric Industries SAS nor any of its affiliates or subsidiaries shall be responsible or liable for misuse of the information contained herein.

Main

Product or Component Type	Motor choke
Range Compatibility	Altivar 61Q Altivar 71Q Altivar 212 Altivar 71 Altivar&Nbsp;Process ATV600 Altivar&Nbsp;Process ATV900 Altivar 61
Product Specific Application	Output filter
Line Rated Current	215 A

Product compatibility

ATV61HD11N4
ATV61HD15N4
ATV61HD18N4
ATV61HU22S6X
ATV61HU30S6X
ATV61HU40S6X
ATV61HU55N4
ATV61HU55S6X
ATV61HU75N4
ATV61HU75S6X
ATV61WD11N4
ATV61WD11N4C
ATV61WD15N4
ATV61WD15N4C
ATV61WD18N4
ATV61WD18N4C
ATV61WU55N4
ATV61WU55N4C
ATV61WU75N4
ATV61WU75N4C
ATV71HD11N4
ATV71HD11Y
ATV71HD15N4
ATV71HD18N4
ATV71HU15S6X
ATV71HU22S6X
ATV71HU30S6X
ATV71HU40S6X
ATV71HU55N4
ATV71HU55S6X
ATV71HU75N4
ATV71HU75S6X
ATV71PD11N4Z
ATV71PU55N4Z
ATV71PU75N4Z
ATV71WD11N4
ATV71WD15N4
ATV71WD18N4
ATV71WU55N4
ATV71WU75N4
ATV212HU15N4
ATV61HD15Y
ATV61HD18Y
ATV61HD22N4
ATV61HD22Y
ATV61HD30N4
ATV61HD30Y
ATV61HD37N4
ATV61WD22N4
ATV61WD22N4C
ATV61WD30N4
ATV61WD30N4C
ATV61WD37N4
ATV61WD37N4C
ATV71HD15Y
ATV71HD18Y
ATV71HD22N4
ATV71HD22Y
ATV71HD30Y
ATV71HD37N4
ATV71WD30N4
ATV71WD37N4
ATV630 variable speed drive - 2.2 kW, 500...690 V
three phase
ATV630 variable speed drive - 3 kW, 500...690 V
three phase
ATV630 variable speed drive - 4 kW, 500...690 V
three phase
ATV630 variable speed drive - 5.5 kW, 500...690 V
three phase
ATV630 variable speed drive - 7.5 kW, 500...690 V
three phase
ATV630 variable speed drive - 11 kW, 500...690 V
three phase
ATV930 variable speed drive - 2.2 kW, 500...690 V
three phase
ATV930 variable speed drive - 3 kW, 500...690 V
three phase
ATV930 variable speed drive - 4 kW, 500...690 V
three phase
ATV930 variable speed drive - 5.5 kW, 500...690 V
three phase
ATV930 variable speed drive - 7.5 kW, 500...690 V
three phase
ATV930 variable speed drive - 11 kW, 500...690 V
three phase

Nedded quantity	3
Electrical connection	Tag connector M10

Complementary

Maximum motor cable length	492.13 Ft (150 m) shielded cable 30...45 kW 200...240 V 1 984.25 Ft (300 m) unshielded cable 30...45 kW 200...240 V 1 656.17 Ft (200 m) shielded cable 5.5...18.5 kW 380...480 V 1 984.25 Ft (300 m) unshielded cable 5.5...18.5 kW 380...480 V 1 492.13 Ft (150 m) shielded cable 22...30 kW 380...480 V 1 984.25 Ft (300 m) unshielded cable 22...30 kW 380...480 V 1 492.13 Ft (150 m) shielded cable 45...75 kW 380...480 V 1 984.25 Ft (300 m) unshielded cable 45...75 kW 380...480 V 1 492.13 Ft (150 m) shielded cable 2.2...7.5 kW 500...600 V 1 820.21 Ft (250 m) unshielded cable 2.2...7.5 kW 500...600 V 1 820.21 Ft (250 m) shielded cable 2.2...7.5 kW 500...600 V 2 1312.34 Ft (400 m) unshielded cable 2.2...7.5 kW 500...600 V 2 328.08 Ft (100 m) shielded cable 2.2...30 kW 500...690 V 1 492.13 Ft (150 m) unshielded cable 2.2...30 kW 500...690 V 1 492.13 Ft (150 m) shielded cable 11...30 kW 500...690 V 2 820.21 Ft (250 m) unshielded cable 11...30 kW 500...690 V 2 492.13 Ft (150 m) shielded cable 30...160 kW 500...690 V 1 820.21 Ft (250 m) unshielded cable 30...160 kW 500...690 V 1 820.21 Ft (250 m) shielded cable 30...160 kW 500...690 V 2 984.25 Ft (300 m) unshielded cable 30...90 kW 500...690 V 2 1312.34 Ft (400 m) unshielded cable 90...160 kW 500...690 V 2 656.17 Ft (200 m) shielded cable 37 kW 380...480 V 1 984.25 Ft (300 m) unshielded cable 37 kW 380...480 V 1 656.17 Ft (200 m) shielded cable 90 kW 380...480 V 1 984.25 ft (300 m) unshielded cable 90 kW 380...480 V 1
Dv/dt	500 V/ μ s 400 V 750 V/ μ s 500 V 1000 V/ μ s 690 V
Thermal losses	430 W
Maximum drive output frequency	100 Hz
Ambient air temperature for operation	14...122 °F (-10...50 °C)
Net Weight	34.17 lb(US) (15.5 kg)

Environment

IP degree of protection	IP20 with kits VW3A9612,613) IP00
Ambient Air Temperature for Storage	-13...158 °F (-25...70 °C)

Ordering and shipping details

Category	22135-ATV61-71 ACCESSORIES
Discount Schedule	CP4C
GTIN	3389118065727
Returnability	No
Country of origin	CZ

Packing Units

Unit Type of Package 1	PCE
Number of Units in Package 1	1
Package 1 Height	15.75 in (40.000 cm)
Package 1 Width	23.62 in (60.000 cm)
Package 1 Length	15.75 in (40.000 cm)
Package 1 Weight	39.68 lb(US) (18.000 kg)
Unit Type of Package 2	P06
Number of Units in Package 2	2
Package 2 Height	29.53 in (75.000 cm)
Package 2 Width	23.62 in (60.000 cm)
Package 2 Length	31.50 in (80.000 cm)
Package 2 Weight	98.11 lb(US) (44.500 kg)

Offer Sustainability

California proposition 65	WARNING: This product can expose you to chemicals including: Lead and lead compounds, which is known to the State of California to cause cancer and birth defects or other reproductive harm. For more information go to www.P65Warnings.ca.gov
REACH Regulation	REACH Declaration
REACH free of SVHC	Yes
EU RoHS Directive	Pro-active compliance (Product out of EU RoHS legal scope) EU RoHS Declaration
Toxic heavy metal free	Yes
Mercury free	Yes
China RoHS Regulation	China RoHS Declaration
RoHS exemption information	Yes

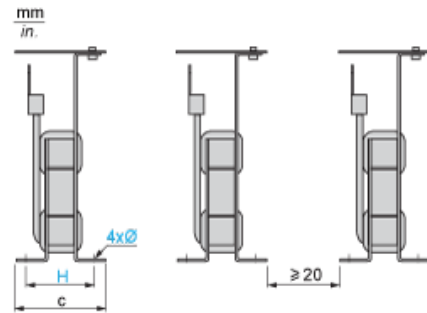
Contractual warranty

Warranty	18 months
----------	-----------

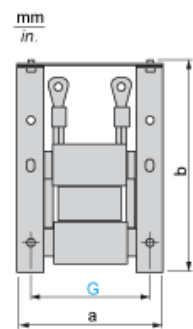
Dimensions

Front View

The choke comprise 3 components



Right View



Dimensions in mm

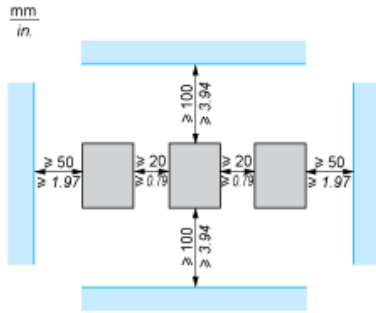
a	b	c	G	H	Ø
170	250	100	150	75	9 x 13

Dimensions in in.

a	b	c	G	H	Ø
6.69	9.84	3.94	5.91	2.95	0.35 x 0.51

Mounting Recommendations

Horizontal Mounting



Vertical Mounting

