



Main

| | |
|-------------------------------|--|
| Range of product | OsiSense XU |
| Series name | Application hoisting |
| Electronic sensor type | Photo-electric sensor |
| Sensor name | XUK |
| Sensor design | Compact 50 x 50 |
| Detection system | Polarised reflex |
| Material | Plastic |
| Type of output signal | Analogue + discrete |
| Supply circuit type | DC |
| Wiring technique | 8-wire |
| Discrete output type | PNP or NPN |
| Discrete output function | 1 NO or 1 NC programmable |
| Analogue output range | 4...20 mA |
| Electrical connection | 1 male connector M12, 8 pins |
| Product specific application | Distance measurement on reflector |
| Emission | Red laser polarised reflex class 1 IEC 60825-1 |
| [Sn] nominal sensing distance | 229.66 ft (70 m) polarised reflex need reflector XUZC250 |

Complementary

| | |
|----------------------------|--|
| Enclosure material | ABS/PC |
| Lens material | PMMA |
| Maximum sensing distance | 229.66 ft (70 m) polarised reflex need reflector XUZC250 |
| Output type | Solid state Analog |
| Output function governance | Light or dark programmable |
| Add on output | With alarm output |
| Add on input | Test by emission breaking |
| Status LED | 1 LED yellow)output state 1 LED green/yellow)supply on/output state |
| [Us] rated supply voltage | 12...24 V DC reverse polarity protection |
| Supply voltage limits | 10...30 V DC |

Disclaimer: This documentation is not intended as a substitute for and is not to be used for determining suitability or reliability of these products for specific user applications

| | |
|--------------------------|--|
| Switching capacity in mA | <= 100 mA overload and short-circuit protection) |
| Switching frequency | <= 1.5 kHz |
| Maximum voltage drop | <2 V closed state) |
| Current consumption | <= 35 mA no-load |
| Maximum delay first up | 300 ms |
| Maximum delay response | 10 ms |
| Maximum delay recovery | 10 ms |
| Setting-up | Using teach button or remote teaching |
| Depth | 1.97 in (50 mm) |
| Height | 1.97 in (50 mm) |
| Width | 0.91 in (23 mm) |
| Net weight | 0.08 lb(US) (0.035 kg) |

Environment

| | |
|---------------------------------------|---|
| Product certifications | CE Ecolab CULus |
| Ambient air temperature for operation | -4...122 °F (-20...50 °C), UL -22...122 °F (-30...50 °C) |
| Ambient air temperature for storage | -22...140 °F (-30...60 °C) |
| Vibration resistance | 7 gn 10...55 Hz) IEC 60068-2-6 |
| Shock resistance | 10 gn 11 ms) IEC 60068-2-27 |
| IP degree of protection | IP67 IEC 60529 IP69K DIN 40050 |

Packing Units

| | |
|------------------------------|------------------------|
| Unit Type of Package 1 | PCE |
| Number of Units in Package 1 | 1 |
| Package 1 Weight | 2.19 oz (62 g) |
| Package 1 Height | 1.18 in (3 cm) |
| Package 1 width | 3.62 in (9.2 cm) |
| Package 1 Length | 2.36 in (6 cm) |
| Unit Type of Package 2 | S01 |
| Number of Units in Package 2 | 28 |
| Package 2 Weight | 4.27 lb(US) (1.939 kg) |
| Package 2 Height | 5.91 in (15 cm) |
| Package 2 width | 5.91 in (15 cm) |
| Package 2 Length | 15.75 in (40 cm) |

Offer Sustainability

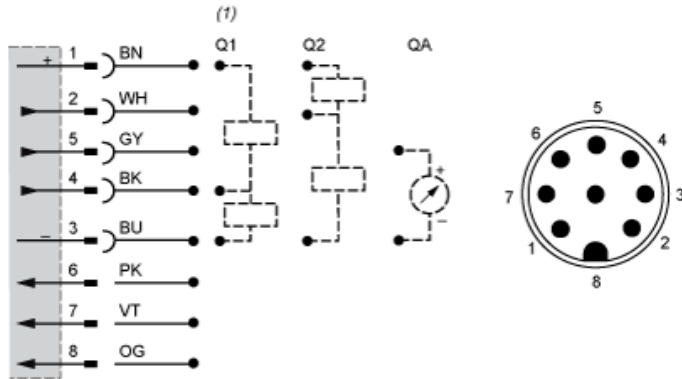
| | |
|----------------------------|---|
| RECh Regulation | RECh Declaration |
| EU RoHS Directive | Pro-active compliance (Product out of EU RoHS legal scope) EU RoHS Declaration |
| Mercury free | Yes |
| RoHS exemption information | Yes |

Contractual warranty

| | |
|----------|-----------|
| Warranty | 18 months |
|----------|-----------|

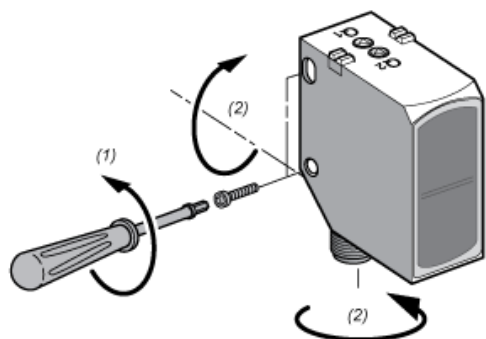
Connections and Schema

Connector Wiring



- (1) Auto-detect
- 1 : + UB (BN : Brown)
 - 2 : Q2 - PNP, NO (WH: White)
 - 3 : -UB (BU: Blue)
 - 4 : Q1 - PNP, NO (BK: Black)
 - 5 : QA - 4...20 mA (GY: Grey)
 - 6 : IN1 - Teach-in (PK: Pink)
 - 7 : IN2 - Teach and activated tandem (VT: Purple)
 - 8 : IN3 - Beam off (OG: Orange)

Mounting



- (1) < 1,5 Nm (13 lb-in)
- (2) < 1 Nm (8.85 lb-in)