



Main

Range compatibility	Lexium 28
Product or component type	Servo motor
Device short name	BCH2

Complementary

Maximum mechanical speed	5000 rpm
[Us] rated supply voltage	220 V
Phase	Single phase Three phase
Continuous stall current	2.29 A
Continuous stall torque	11.24 Lbf.in (1.27 N.m) LXM28... 2.6 A, 220 V, single phase 11.24 Lbf.in (1.27 N.m) LXM28... 2.6 A, 220 V, three phase 11.24 lbf.in (1.27 N.m) LXM28... 5.7 A, 110 V, single phase
Continuous power	400 W
Peak stall torque	33.72 Lbf.in (3.81 N.m) LXM28... 2.6 A, 220 V, single phase 33.72 Lbf.in (3.81 N.m) LXM28... 2.6 A, 220 V, three phase 33.72 lbf.in (3.81 N.m) LXM28... 5.7 A, 110 V, single phase
Nominal output power	400 W LXM28... 2.6 A, 220 V, single phase 400 W LXM28... 2.6 A, 220 V, three phase 400 W LXM28... 5.7 A, 110 V, single phase
Nominal torque	11.24 Lbf.in (1.27 N.m) LXM28... 2.6 A, 220 V, single phase 11.24 Lbf.in (1.27 N.m) LXM28... 2.6 A, 220 V, three phase 11.24 lbf.in (1.27 N.m) LXM28... 5.7 A, 110 V, single phase
Nominal speed	3000 rpm LXM28... 2.6 A, 220 V, single phase 3000 rpm LXM28... 2.6 A, 220 V, three phase 3000 rpm LXM28... 5.7 A, 110 V, single phase
Maximum current Irms	7.73 A LXM28... 0.4 kW, 220 V 7.73 A LXM28... 0.4 kW, 110 V
Maximum permanent current	2.52 A
Product compatibility	LXM28... servo drive 0.4 kW, 220 V, single phase LXM28... servo drive 0.4 kW, 220 V, three phase LXM28... servo drive 0.4 kW, 110 V, single phase
Shaft end	Smooth shaft
Shaft diameter	0.55 in (14 mm)
Shaft length	1.18 in (30 mm)
Feedback type	20 bits single turn absolute encoder
Holding brake	With
Holding torque	22.13 lbf.in (2.5 N.m) built-in
Mounting support	Asian standard flange
Motor flange size	3.15 in (80 mm)
Electrical connection	Free lead
Torque constant	0.55 N.m/A 68 °F (20 °C)
Back emf constant	33.5 V/krpm 68 °F (20 °C)
Rotor inertia	0.72 kg.cm ²

Stator resistance	3.2 Ohm 68 °F (20 °C)
Stator inductance	11.3 mH 68 °F (20 °C)
Stator electrical time constant	3.53 ms 68 °F (20 °C)
Maximum radial force Fr	332 N 3000 rpm
Maximum axial force Fa	115 N
Brake pull-in power	10.2 W
Type of cooling	Natural convection
Length	5.98 in (152 mm)
Number of motor stacks	1
Centring collar diameter	2.76 in (70 mm)
Centring collar depth	0.16 in (4 mm)
Number of mounting holes	4
Mounting holes diameter	0.26 in (6.6 mm)
Circle diameter of the mounting holes	3.54 in (90 mm)
Distance shaft shoulder-flange	0.16 in (4 mm)
Net Weight	6.17 lb(US) (2.8 kg)

Environment

IP degree of protection	IP54 IM B5, IM V1 IP50 IM V3
Ambient air temperature for operation	32...104 °F (0...40 °C)

Ordering and shipping details

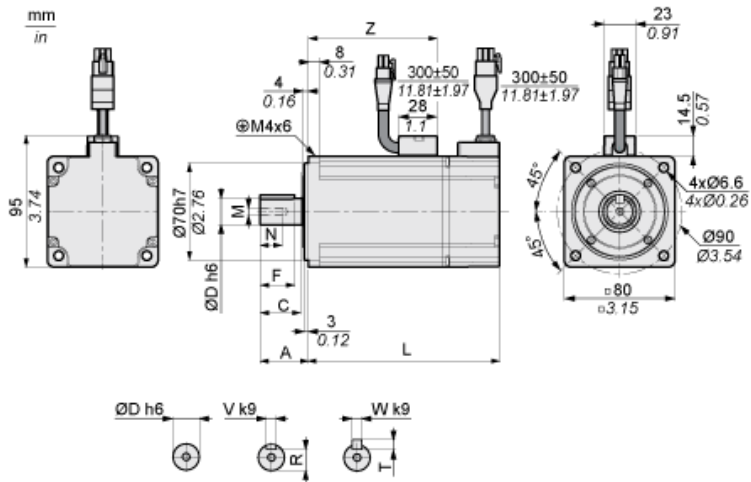
Category	18281 - LEXIUM 23/28 MOTORS
Discount Schedule	PC53
GTIN	03606480733659
Nbr. of units in pkg.	1
Package weight(Lbs)	7.1 lb(US) (3.22 kg)
Returnability	No
Country of origin	CN

Packing Units

Unit Type of Package 1	PCE
Package 1 Height	5.43 in (13.8 cm)
Package 1 width	6.89 in (17.5 cm)
Package 1 Length	11.65 in (29.6 cm)

Dimensions

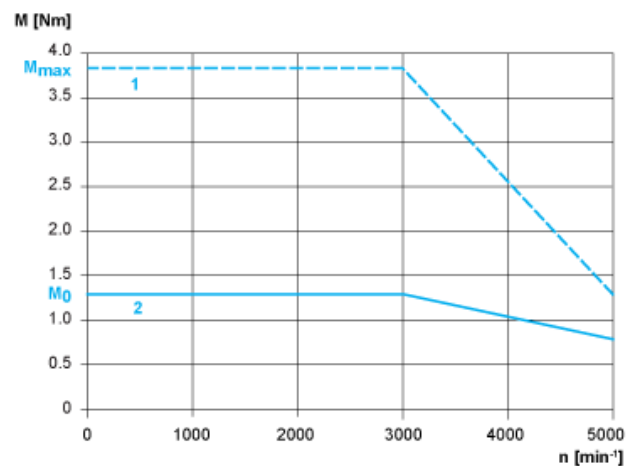
Dimensions of Motor



	mm	in.
L (without holding brake)	112	4.41
L (with holding brake)	152	5.98
A	30	1.18
C	24.5	0.96
D	14	0.55
F	20	0.79
R	11	0.43
T	5	0.2
V	5	0.2
W	5	0.2
Z	68	2.68

Torque/Speed Curves with 230 V Single/Three Phase Supply Voltage

Servo Motor with LXM28AU02●●● Servo Drive



- 1: Peak torque
- 2: Continuous torque