

## ORDERING INFORMATION

Order code: 60013  
 Description: E296T8PS120-277/N/HO/XTRM  
 UPC: 69549600133



## SPECIFICATIONS

<b>Ballast type:</b>	Electronic	<b>Type</b>	1 Outdoor
<b>Starting method:</b>	Program Start	<b>Contains PCBs:</b>	No
<b>Lamp connection:</b>	Parallel	<b>Sound rating:</b>	A
<b>Input voltage (V):</b>	120-277	<b>Open current voltage (OCV) (V):</b>	600
<b>Input frequency (Hz):</b>	50/60	<b>Inherent thermal protection:</b>	Yes
<b>Max. case temperature:</b>	90 °C	<b>Lamp protection circuit:</b>	Yes
<b>Thermal protection:</b>	Class P	<b>ICES-005 Compliant:</b>	Class A RFLD
		<b>Auto-restrike:</b>	Yes



Lamp type	Number of lamps	Rated lamp watts	Min. start temp. (°F / °C)	Input current (A)	Input power (ANSI watts)	Ballast factor	Max THD (%)	Power factor	Max. lamp current crest factor	B.E.F.
<b>120 VOLTS</b>										
F96T8HO (86W)	2	86	-22/-30	1.61	185	1.00	10	0.99	1.7	0.54
F72T8HO (65W)	2	65	-22/-30	1.21	140	0.94	10	0.99	1.7	0.67
F60T8HO (55W)	2	55	-22/-30	1.04	118	0.92	10	0.99	1.7	0.78
F48T8HO (44W)	2	44	-22/-30	0.84	98	0.95	10	0.99	1.7	0.97
F96T8HO (86W)	1	86	-22/-30	0.76	92	0.99	10	0.99	1.7	1.08
F72T8HO (65W)	1	65	-22/-30	0.68	81	1.00	10	0.99	1.7	1.23
F60T8HO (55W)	1	55	-22/-30	0.58	70	1.00	10	0.99	1.7	1.43
F48T8HO (44W)	1	44	-22/-30	0.50	59	1.02	10	0.99	1.7	1.73
<b>230 VOLTS</b>										
F96T8HO (86W)	2	86	-22/-30	0.82	188	1.03	15	0.99	1.7	0.55
F72T8HO (65W)	2	65	-22/-30	0.61	140	0.94	15	0.99	1.7	0.67
F60T8HO (55W)	2	55	-22/-30	0.51	118	0.92	15	0.99	1.7	0.78
F48T8HO (44W)	2	44	-22/-30	0.43	98	0.95	15	0.99	1.7	0.97
F96T8HO (86W)	1	86	-22/-30	0.41	94	1.00	15	0.99	1.7	1.06
F72T8HO (65W)	1	65	-22/-30	0.35	81	1.00	20	0.99	1.7	1.23
F60T8HO (55W)	1	55	-22/-30	0.30	70	1.00	20	0.99	1.7	1.43
F48T8HO (44W)	1	44	-22/-30	0.26	59	1.02	20	0.99	1.7	1.73

### WARRANTY:

Ballast warranty of 5 years for electronic ballast 75 °C. Ballast warranty of 3 years for electronic ballast 90 °C. For more information visit our website.

Data is based upon tests performed in a controlled environment and representative of relative performance. Actual performance can vary depending on operating conditions. Specifications are subject to change without notice. March 9, 2015

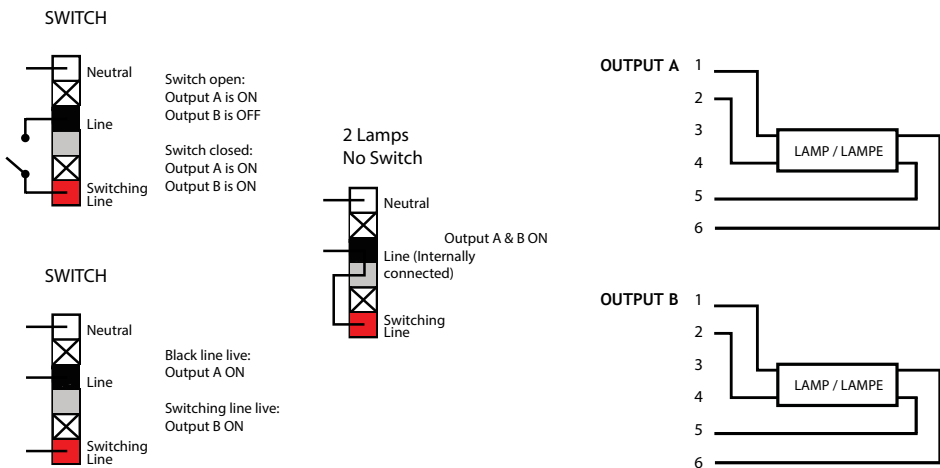


## ORDERING INFORMATION

Order code: 60013  
 Description: E296T8PS120-277/N/HO/XTRM  
 UPC: 69549600133

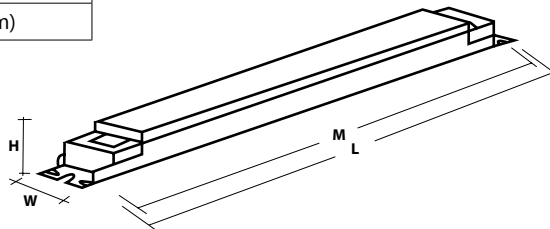
Lamp type	Number of lamps	Rated lamp watts	Min. start temp. (°F / °C)	Input current (A)	Input power (ANSI watts)	Ballast factor	Max THD (%)	Power factor	Max. lamp current crest factor	B.E.F.
<b>277 VOLTS</b>										
F96T8HO (86W)	2	86	-22/-30	0.68	188	1.03	15	0.99	1.7	0.55
F72T8HO (65W)	2	65	-22/-30	0.51	140	0.94	15	0.99	1.7	0.67
F60T8HO (55W)	2	55	-22/-30	0.43	118	0.92	15	0.99	1.7	0.78
F48T8HO (44W)	2	44	-22/-30	0.35	98	0.95	15	0.99	1.7	0.97
F96T8HO (86W)	1	86	-22/-30	0.34	94	1.00	15	0.99	1.7	1.06
F72T8HO (65W)	1	65	-22/-30	0.29	81	1.00	20	0.99	1.7	1.23
F60T8HO (55W)	1	55	-22/-30	0.25	70	1.00	20	0.99	1.7	1.43
F48T8HO (44W)	1	44	-22/-30	0.21	59	1.02	20	0.99	1.7	1.73

## WIRING DIAGRAM



## BALLAST DIMENSIONS

Length (L):	12.80" (32.5 cm)
Width (W):	2.52" (6.4 cm)
Height (H):	1.18" (3. cm)
Mounting (M):	12.50" (31.7 cm)



### WARRANTY:

Ballast warranty of 5 years for electronic ballast 75 °C. Ballast warranty of 3 years for electronic ballast 90 °C. For more information visit our website.

Data is based upon tests performed in a controlled environment and representative of relative performance. Actual performance can vary depending on operating conditions. Specifications are subject to change without notice.  
 March 9, 2015