

## ORDERING INFORMATION

Order code: 10470  
 Description: E23640-347-SL GLB  
 UPC: 69549104709



## SPECIFICATIONS

Ballast type: Electronic  
 Starting method: Program Start  
 Lamp connection: Series  
 Input voltage (V): 347 V  
 Input frequency (Hz): 50/60 HZ  
 Max. case temperature: 90 °C  
 Thermal protection: Class P  
 Type: 1 Outdoor  
 Contains PCBs: No  
 Sound rating: A  
 Open current voltage (OCV) (V): 600  
 Inherent thermal protection: Yes  
 Lamp protection circuit: Yes  
 ICES-005 Compliant: Class A RFLD



Lamp Type:	Number of lamps	Rated lamp watts	Min. start temp. (°F / °C)	Input current (A)	Input power (ANSI watts)	Ballast factor	Max THD (%)	Power factor	Max. lamp current crest factor	B.E.F.
<b>347 VOLTS</b>										
PL40/TTL (40W)	2	40	-22/-30	0.19	81	1.00	10	0.98	1.7	1.23
PL40/TTL/ES (28W)	2	28	0/-18	0.17	76	1.00	15	0.98	1.7	1.32
PL39/TTL (39W)	2	39	-22/-30	0.16	68	0.63	15	0.98	1.7	0.93
PL36/TTL (36W)	2	36	-22/-30	0.15	64	0.80	15	0.98	1.7	1.25
PL40/TTL (40W)	1	40	-22/-30	0.14	47	1.03	15	0.97	1.7	2.19
PL40/TTL/ES (28W)	1	28	0/-18	0.12	42	1.03	15	0.97	1.7	2.45
PL39/TTL (39W)	1	39	-22/-30	0.10	36	0.65	20	0.97	1.7	1.81
PL36/TTL (36W)	1	36	-22/-30	0.10	35	0.85	20	0.96	1.7	2.43

### WARRANTY:

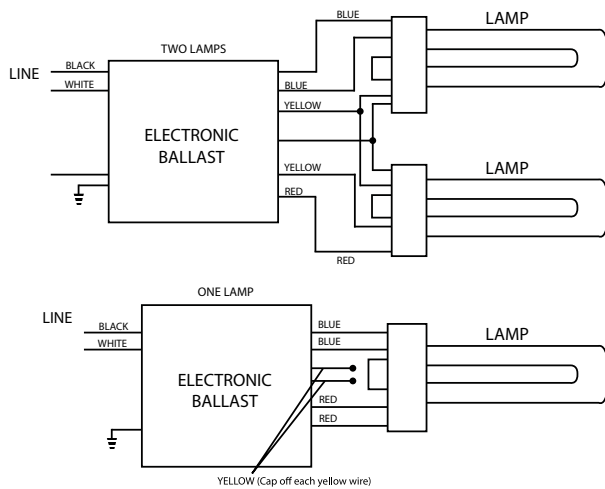
Ballast warranty of 5 years for electronic ballast 70-75 °C. Ballast warranty of 3 years for electronic ballast 90 °C. For more information visit our website.

Data is based upon tests performed in a controlled environment and representative of relative performance. Actual performance can vary depending on operating conditions. Specifications are subject to change without notice.  
 March 30, 2015

## ORDERING INFORMATION

Order code: 10470  
 Description: E23640-347-SL GLB  
 UPC: 69549104709

## WIRING DIAGRAM

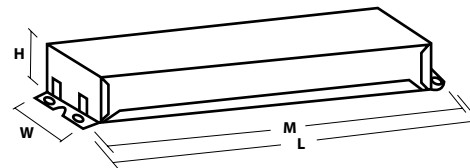


## LEADS LENGTH

Black	18.8" (47.7 cm)
White	18.8" (47.7 cm)
Blue	30.9" (78.5 cm)
Red	30.9" (78.5 cm)
Yellow	46.4" (118.0 cm)

## BALLAST DIMENSIONS

Length (L):	9.5" (24.1 cm)
Width (W):	1.7" (4.3 cm)
Height (H):	1.14" (2.9 cm)
Mounting (M):	8.9" (22.6 cm)



## WARRANTY:

Ballast warranty of 5 years for electronic ballast 70-75 °C. Ballast warranty of 3 years for electronic ballast 90 °C.  
 For more information visit our website.

Data is based upon tests performed in a controlled environment and representative of relative performance.  
 Actual performance can vary depending on operating conditions. Specifications are subject to change without notice.  
 March 30, 2015