



### Main

Range of product	Harmony HMIZ
Product or component type	Keyboard
Product compatibility	HMIGXO HMISTU HMISTO HMIGTO HMISCU
Device application	Industrial machines Food and beverage
Provided equipment	1 x User Manual 1 x tightening wrench 1 x anti-rotation tee 1 x USB cable type A/mini-B 5.91 ft (1.8 m) 1 x USB type mini-B cable clamp 1 x fixing nut 1 x replaceable label for function keys

### Complementary

Software designation	Vijeo Designer >= V6.2
Connector type	Mini B USB
Number of key	20
Number of customisable keys	12 with integrated LEDs
Colour of cover	Front dark grey
[Us] rated supply voltage	5 V DC USB 2.0
Supply voltage limits	4.75...5.25 V DC
Power consumption in W	0.75 W
Shock resistance	147 m/s <sup>2</sup> 3 chocks in each direction X, Y and Z IEC 61131-2
Electromagnetic compatibility	Electrostatic discharge immunity test 8 kV air discharge) IEC 61000-4-2 Electrostatic discharge immunity test 6 kV contact discharge) IEC 61000-4-2 Electrical fast transient/burst immunity test 2 kV power ports) IEC 61000-4-4 Electrical fast transient/burst immunity test 1 kV signal ports) IEC 61000-4-4
Mounting location	Flat surface
Quantity per set	1 piece
Height	3.15 in (80 mm)
Maximum Width	3.84 in (97.6 mm)
Depth	1.24 in (31.5 mm)
Net Weight	0.33 lb(US) (0.15 kg)

### Environment

Ambient air temperature for storage	-4...140 °F (-20...60 °C)
Ambient air temperature for operation	32...131 °F (0...55 °C)
Relative humidity	10...90 % 32...102 °F (0...39 °C) non-condensing
Pollution degree	2
Environmental characteristic	Corrosive gas free
Operating altitude	<= 6561.68 ft (2000 m)
Vibration resistance	3.5 mm 5...9 Hz)IEC 61131-2
IP degree of protection	IP65 front panel (in enclosure))
NEMA degree of protection	NEMA 4X indoor installation NEMA 4X enclosed outdoor

Standards	EN 61000-6-4 CSA C22.2 No 213 EN 61000-6-2 CSA C22.2 No 142 ANSI/ISA 12.12.01 EMC 2004/108/EC UL 508 WEEE directive 2002/96/EC
Product certifications	CE RCM EAC UL/cUL listed
Level or class	Class I Division 2 Groups A/B/C/D

## Ordering and shipping details

Category	22000 - Temporary Category for ITS Price Promotion
Discount Schedule	I
GTIN	00785901232377
Nbr. of units in pkg.	1
Package weight(Lbs)	1 lb(US) (0.45 kg)
Returnability	No
Country of origin	CN

## Packing Units

Package 1 Height	2.76 in (70.000 mm)
Package 1 width	5.31 in (135.000 mm)
Package 1 Length	7.28 in (185.000 mm)

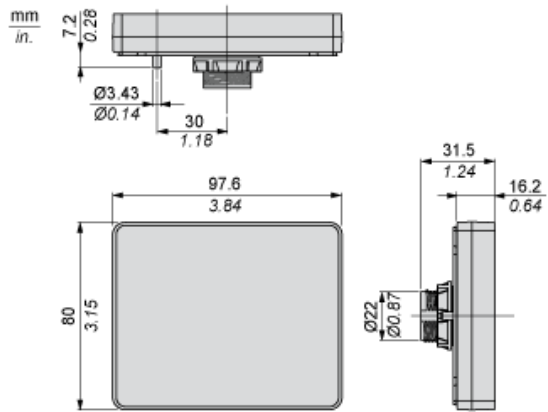
## Offer Sustainability

California proposition 65	WARNING: This product can expose you to chemicals including: Lead and lead compounds, which is known to the State of California to cause cancer and birth defects or other reproductive harm. For more information go to <a href="http://www.P65Warnings.ca.gov">www.P65Warnings.ca.gov</a>
REACH free of SVHC	Yes
EU RoHS Directive	Pro-active compliance (Product out of EU RoHS legal scope) <a href="#">EU RoHS Declaration</a>
Mercury free	Yes
RoHS exemption information	<a href="#">Yes</a>
China RoHS Regulation	<a href="#">China RoHS Declaration</a>
WEEE	The product must be disposed on European Union markets following specific waste collection and never end up in rubbish bins.

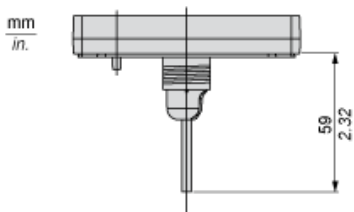
## Contractual warranty

Warranty	18 months
----------	-----------

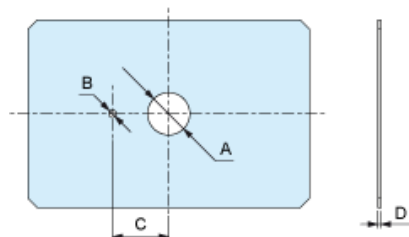
## Dimensions



## Dimensions with Cables



Mounting of Panel Cut-Out



Dimensions in mm

A	B	C	D
22.50 <sub>-0.30</sub>	4 <sub>-0.20</sub>	30 <sub>-0.20</sub>	1.5...6

Dimensions in in.

A	B	C	D
0.88 <sub>-0.01</sub>	0.15 <sub>-0.007</sub>	1.18 <sub>-0.007</sub>	0.06...0.23