

TSXDMY28RFK

discrete I/O module Modicon Premium - 16 I 24 V DC - 12 O solid state



Main

Range of Product	Modicon Premium Automation platform
Product or Component Type	Discrete I/O modules
Discrete I/O number	28
Discrete input number	16 current sink fast input IEC 1131-2 Type 1
Input logic	Positive
Input voltage	24 V 3.5 mA DC

Complementary

Voltage state 1 guaranteed	≥ 11 V
Current state 1 guaranteed	≥ 3 mA
Voltage state 0 guaranteed	≤ 5 V
Current state 0 guaranteed	≤ 1.5 mA
Sensor power supply	19...30 V
Filter time	4 ms by default 0.1 to 7.5 ms by configuration
Paralleling of inputs	Yes
Input compatibility	2-wire/3-wire proximity sensor
Insulation resistance	> 10 MOhm 500 V DC
Power dissipation	1.2 W + 0.1 x number of input at 1
Discrete output number	12
Maximum tungsten load	< 6 W solid state output
Output voltage	24 V 0.5 A
Discrete output type	Reflex or time delayed
Output voltage limits	19...30 V
Maximum output current	4 A by module 0.5 A by channel
Maximum leakage current	1 mA at state 0
[Ures] residual voltage	1.2 V at state 1
Minimum load impedance	48 W
Response time on output	0.6 ms
Switching frequency	0.5/LI ² Hz
Output overvoltage protection	By transil diode
Reverse polarity protection	Reversed diode
Preactuator voltage detection threshold	16 V
Electrical connection	2 connectors HE-10
Current consumption	300 mA 5 V DC 75 mA 24 V DC
Module format	Standard

The information provided in this documentation contains general descriptions and/or technical characteristics of the performance of the products contained herein. This documentation is not intended as a substitute for and is not to be used for determining suitability or reliability of these products for specific user applications. It is the duty of any such user or integrator to perform the appropriate and complete risk analysis, evaluation and testing of the products with respect to the relevant specific application or use thereof. Neither Schneider Electric Industries SAS nor any of its affiliates or subsidiaries shall be responsible or liable for misuse of the information contained herein.

Environment

Dielectric strength	1500 V 50/60 Hz for 1 minute
Derating factor	60 % of inputs at state 1 140 °F (60 °C) fast input 60 % of the maximum current of the module 140 °F (60 °C) solid state output
Ambient Air Temperature for Operation	32...140 °F (0...60 °C)
Ambient Air Temperature for Storage	-13...158 °F (-25...70 °C)
Relative Humidity	5...95 % without condensation
Operating altitude	<= 6561.68 ft (2000 m)

Ordering and shipping details

Category	22558-TSX PREMIUM, ATRIUM & PL7 PRO
Discount Schedule	PC22
GTIN	3595860018090
Returnability	No
Country of origin	FR

Packing Units

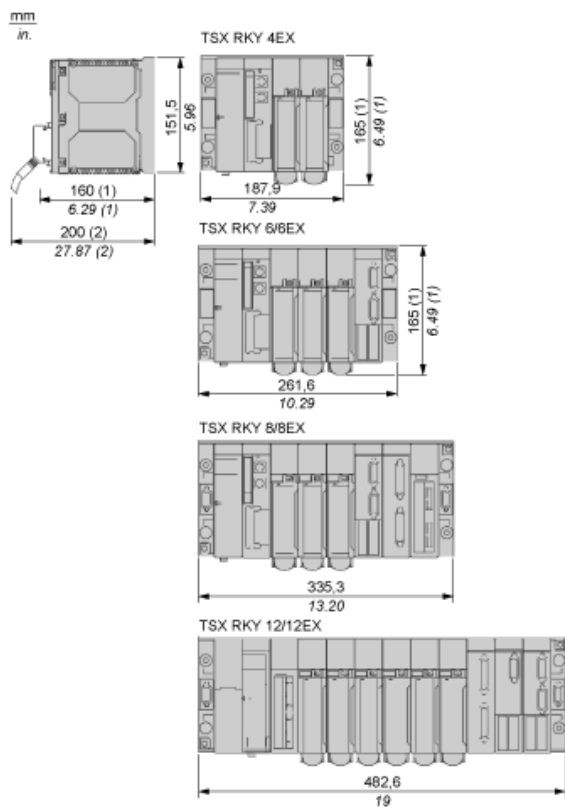
Unit Type of Package 1	PCE
Number of Units in Package 1	1
Package 1 Height	2.17 in (5.5 cm)
Package 1 Width	7.09 in (18.0 cm)
Package 1 Length	10.24 in (26.0 cm)
Package 1 Weight	17.28 oz (490.0 g)
Unit Type of Package 2	S04
Number of Units in Package 2	12
Package 2 Height	11.81 in (30.0 cm)
Package 2 Width	15.75 in (40.0 cm)
Package 2 Length	23.62 in (60.0 cm)
Package 2 Weight	15.05 lb(US) (6.827 kg)

Contractual warranty

Warranty	18 months
----------	-----------

Standard and Extendable Racks for Modules Mounting

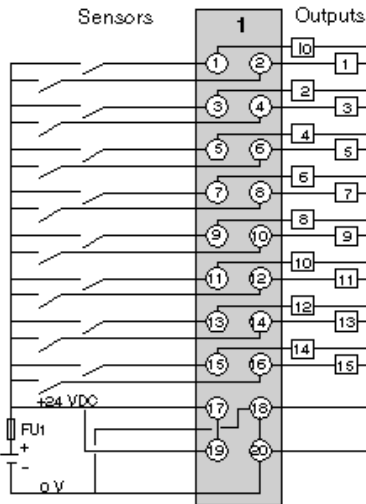
Dimensions of Modules and Racks



- (1) With screw terminal block modules.
- (2) Maximum depth for all types of modules and their associated connectors.

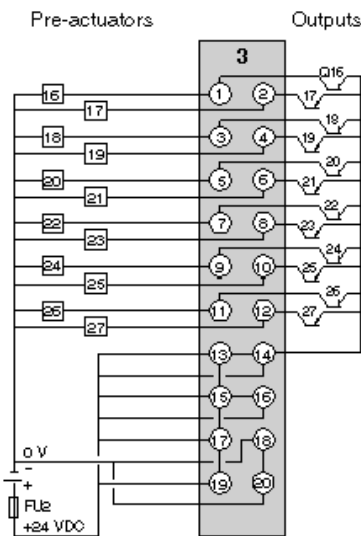
24 Vdc Input/Output 28-Channel Module

Wiring Diagram with Sensors



FU1 0.5 A quick-blow fuse.

Wiring Diagram with Pre-Actuators



FU2 10 A quick-blow fuse.