

TSXDEY16FK

Discrete input module, Modicon Premium, 16 inputs, compatible with 2/3 wires proximity sensors, 1.2W



Main

Range of Product	Modicon Premium Automation platform
Product or Component Type	Discrete input module
Discrete input number	16 current sink isolated fast EN/IEC 61131-2 type 1
Discrete input voltage	24 V DC positive
Sensor power supply	19...30 V
Discrete input current	3.5 mA

Complementary

Voltage state 1 guaranteed	≥ 11 V
Current state 1 guaranteed	≥ 3 mA
Voltage state 0 guaranteed	≤ 5 V
Current state 0 guaranteed	≤ 1.5 mA
Input impedance	6300 Ohm at state 1
Response Time	0.1...7.5 ms
Isolation resistance	< 10 MOhm 500 V DC
Power dissipation	(1.2 W + 0.1 W x No of channels used)
Electrical Connection	HE-10 connector
Marking	CE
Current consumption	250 mA 5 V DC 75 mA 24 V DC
Module format	Standard
Net Weight	0.66 lb(US) (0.3 kg)

Environment

Dielectric strength	1500 V AC 50/60 Hz
Standards	CSA C22.2 No 213 Class I Division 2 Group A 92/31/EEC UL 508 EN/IEC 61131-2 CSA C22.2 No 213 Class I Division 2 Group B CSA C22.2 No 213 Class I Division 2 Group C CSA C22.2 No 213 Class I Division 2 Group D 93/68/EEC 89/336/EEC 73/23/EEC CSA C22.2 No 142 IEC 60664
Product Certifications	BV[RETURN]DNV[RETURN]ABS[RETURN]IRINA[RETURN]GL[RETURN]LR[RETURN]MRS
Ambient Air Temperature for Operation	32...140 °F (0...60 °C)
Ambient Air Temperature for Storage	-13...158 °F (-25...70 °C)
Relative Humidity	10...95 % without condensation for operation 5...95 % without condensation for storage
Operating altitude	0...6561.68 ft (0...2000 m)
Protective treatment	TC

IP Degree of Protection	IP20
Pollution degree	2

Ordering and shipping details

Category	22558-TSX PREMIUM, ATRIUM & PL7 PRO
Discount Schedule	PC22
GTIN	3389110725513
Returnability	No
Country of origin	FR

Packing Units

Unit Type of Package 1	PCE
Number of Units in Package 1	1
Package 1 Height	2.17 in (5.5 cm)
Package 1 Width	7.09 in (18.0 cm)
Package 1 Length	10.24 in (26.0 cm)
Package 1 Weight	15.34 oz (435.0 g)

Contractual warranty

Warranty	18 months
----------	-----------

Standard and Extendable Racks for Modules Mounting

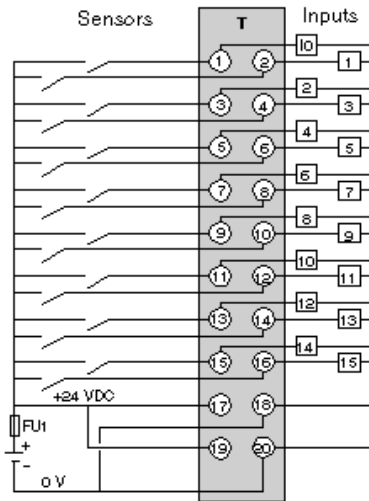
Dimensions of Modules and Racks



- (1) With screw terminal block modules.
- (2) Maximum depth for all types of modules and their associated connectors.

24 Vac Discrete Input 16-Channel Module

Wiring Diagram



FU1 0.5 A quick-blow fuse