

BMXCRA31210

remote IO drop E/IP, Modicon X80,
performance, service port, advanced features



Main

Range of Product	Modicon X80
Range Compatibility	Modicon M580 Modicon Quantum
Product or Component Type	I/O expansion module
Device Application	X80 Ethernet RIO drop adaptor
Product Specific Application	For remote I/O modules

Complementary

Bus type	Bus X across the remote backplane
Number of port	3
Integrated connection type	1 port service or distributed equipment 2 port Ethernet RIO Network (RSTP)
Communication Network Type	IPv4 (internet protocol)
Communication port protocol	EtherNet/IP
Communication Service	Ethernet/IP adapter RSTP (Ring topology support) Ethernet RIO network Quality of Service (QoS) CIP Explicit messaging (server) Modbus TCP server for module diagnostics DHCP client TFTP client FTP client FDR client SNTP client SNMP agent
Cybersecurity	Enable/Disable communication ports Syslog protocol support
Connector Type	3 RJ45
Exchange mode	Half duplex, full duplex, autonegotiation, auto MDIX
Transmission Rate	10/100 Mbit/s
Port Ethernet	10/100BASE-TX
Function Available	CCOTF (configuration change on the fly) Input data is collected and published to the remote I/O head adaptor Output modules are updated with the data received from remote I/O head adaptor Diagnostics for remote I/O devices (Device DDT) Port mirroring System time stamping Non-interfering type 1 I/O extension rack
Data recording	10 ms time stamps
Topology	Ring
Local signalling	For module active (RUN) 1 LED (green) For module error (ERR) 1 LED (red) For module status (Mod Status) 1 LED (green/red) For network communication status (Net Status) 1 LED (green/red) For Ethernet link diagnostics (STS) 1 LED (green)
Current Consumption	1200 mA
Input voltage	3.3 V DC

The information provided in this documentation contains general descriptions and/or technical characteristics of the performance of the products contained herein. This documentation is not intended as a substitute for and is not to be used for determining suitability or reliability of these products for specific user applications. It is the duty of any such user or integrator to perform the appropriate and complete risk analysis, evaluation and testing of the products with respect to the relevant specific application or use thereof. Neither Schneider Electric Industries SAS nor any of its affiliates or subsidiaries shall be responsible or liable for misuse of the information contained herein.

Product compatibility	0...1024 discrete channel 0...256 analog channel Counter module Time-stamping module SSI encoder interface module Motion control module Frequency input module AS-Interface module Serial link module Fiber converter modules
Module format	Standard
Net Weight	0.50 lb(US) (0.225 kg)
Maximum altitude transport	9842.52 ft (3000 m)
Relative Humidity	95 % without condensation
Fixing Mode	By screws
Mounting Mode	Rack-mounted
Width	1.26 in (32 mm)
Height	3.94 in (100 mm)
Depth	3.44 in (87.5 mm)

Environment

Directives	2014/35/EU - low voltage directive 2014/30/EU - electromagnetic compatibility
Product certifications	CE[RETURN]UL[RETURN]CSA[RETURN]RCM[RETURN]EAC[RETURN]Merchant Navy
Standards	EN/IEC 61131-2 EN/IEC 61010-2-201 UL 61010-2-201 CSA C22.2 No 61010-2-201 IACS E10 EN/IEC 61000-6-5, interface type 1 and type 2 EN/IEC 61850-3, location G
Environmental characteristic	Standard environment
IP Degree of Protection	IP20
Ambient Air Temperature for Operation	32...140 °F (0...60 °C)
Ambient Air Temperature for Storage	-40...185 °F (-40...85 °C)
Operating altitude	<= 6561.68 ft (2000 m)

Ordering and shipping details

Category	18160-MODICON M340
Discount Schedule	PC34
GTIN	3595864132464
Returnability	Yes
Country of origin	FR

Packing Units

Unit Type of Package 1	PCE
Number of Units in Package 1	1
Package 1 Height	2.17 in (5.500 cm)
Package 1 Width	4.33 in (11.000 cm)
Package 1 Length	4.65 in (11.800 cm)
Package 1 Weight	9.21 oz (261.000 g)
Unit Type of Package 2	S02
Number of Units in Package 2	15
Package 2 Height	5.91 in (15.000 cm)
Package 2 Width	11.81 in (30.000 cm)
Package 2 Length	15.75 in (40.000 cm)
Package 2 Weight	9.40 lb(US) (4.265 kg)

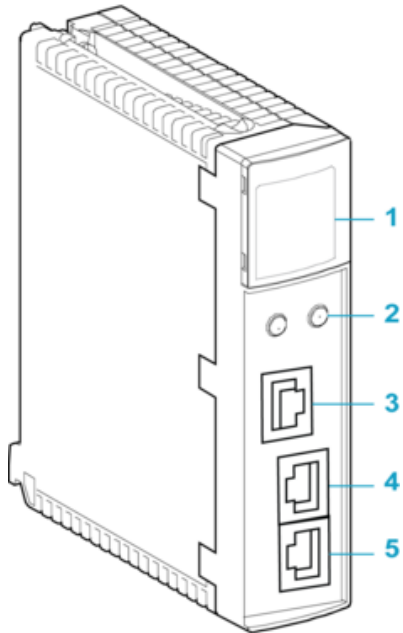
Offer Sustainability

California proposition 65	WARNING: This product can expose you to chemicals including: Lead and lead compounds, which is known to the State of California to cause cancer and birth defects or other reproductive harm. For more information go to www.P65Warnings.ca.gov
REACH Regulation	REACH Declaration
EU RoHS Directive	Pro-active compliance (Product out of EU RoHS legal scope)
Mercury free	Yes
China RoHS Regulation	China RoHS Declaration
RoHS exemption information	Yes
WEEE	The product must be disposed on European Union markets following specific waste collection and never end up in rubbish bins.

Contractual warranty

Warranty	18 months
----------	-----------

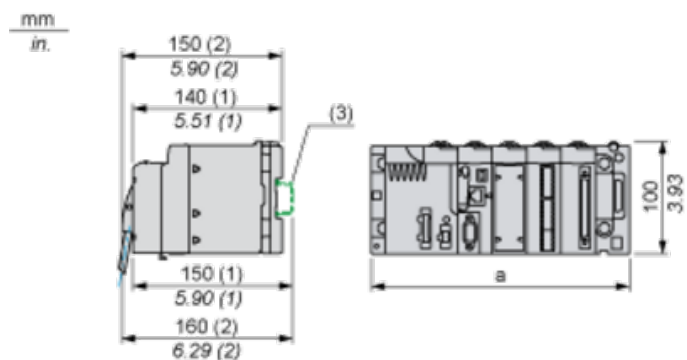
Presentation



- 1 : LED display
- 2 : rotary switches
- 3 : SERVICE port (ETH 1)
- 4 : DEVICE NETWORK port (ETH 2)
- 5 : DEVICE NETWORK port (ETH 3)

Modules Mounted on Racks

Dimensions



(1) With removable terminal block (cage, screw or spring).

(2) With FCN connector.

(3) On AM1 ED rail: 35 mm wide, 15 mm deep. Only possible with BMXXBP0400/0400H/0600/0600H/0800/0800H rack.

Rack references	a in mm	a in in.
BMXXBP0400 and BMXXBP0400H	242.4	09.54
BMXXBP0600 and BMXXBP0600H	307.6	12.11
BMXXBP0800 and BMXXBP0800H	372.8	14.68
BMXXBP1200 and BMXXBP1200H	503.2	19.81