

XT132B1FAL2

capacitive sensor - XT1 - cylindrical Ø 32 mm -
brass - Sn 15 mm - cable 2 m



Main

| | |
|------------------------------------|--|
| Range of product | OsiSense XT |
| Sensor type | Capacitive proximity sensor |
| Product specific application | Detection of insulated or conductive materials |
| Sensor name | XT1 |
| Sensor design | Cylindrical Ø 32 mm plain |
| Size | 80 mm |
| Body type | Fixed |
| Detector flush mounting acceptance | Flush mountable |
| Material | Metal |
| Enclosure material | Nickel plated brass |
| Type of output signal | Discrete |
| Wiring technique | 2-wire |
| [Sn] nominal sensing distance | 15 mm |
| Discrete output function | 1 NO |
| Output circuit type | AC |
| Electrical connection | Cable |
| Cable length | 6.56 ft (2 m) |
| [Us] rated supply voltage | 24...240 V AC 50...60 Hz |
| Maximum delay response | 30 ms |
| IP degree of protection | IP67 IEC 60529 IP67 IEC 60947-5-2 |

Complementary

| | |
|---------------------------------|---------------------------------------|
| Detection face | Frontal |
| [Sa] assured operating distance | 0.00...0.43 in (0...11 mm) |
| Adjustment zone | 0.00...0.79 in (0...20 mm) |
| Differential travel | < 0.2 x Sr |
| Repeat accuracy | < 0.15 x Sr |
| Wire insulation material | PVC |
| Status LED | Output state indication 1 LED yellow) |

| | |
|---------------------------|------------------------------|
| Supply voltage limits | 20...264 V AC |
| Maximum residual current | 5 mA open state |
| Switching frequency | <= 15 Hz |
| Maximum voltage drop | <10 V closed) |
| Current consumption | < 4 mA |
| Maximum delay first up | 200 ms |
| Maximum delay recovery | 30 ms |
| Maximum switching current | 300 mA |
| Marking | CE |
| Setting-up | Sensitivity by potentiometer |
| Length | 3.15 in (80 mm) |
| Net weight | 0.88 lb(US) (0.4 kg) |

Environment

| | |
|---------------------------------------|--|
| Standards | EN/IEC 60947-5-2 |
| Product certifications | CULus |
| Ambient air temperature for operation | -13...158 °F (-25...70 °C) |
| Vibration resistance | 10 gn 1 mm 10...55 Hz)IEC 60068-2-6 |
| Shock resistance | 30 gn 11 ms IEC 60068-2-27 |
| Resistance to electrostatic discharge | 4 kV contact IEC 61000-4-2 8 kV air IEC 61000-4-2 |
| Resistance to electromagnetic fields | 2.74 V/yd (3 V/m) IEC 61000-4-3 |
| Resistance to fast transients | 2 kV conforming to IEC 61000-4-4 |

Packing Units

| | |
|------------------|------------------------|
| Package 1 Weight | 0.61 lb(US) (0.275 kg) |
| Package 1 Height | 0.450 dm |
| Package 1 width | 1.200 dm |
| Package 1 Length | 1.300 dm |

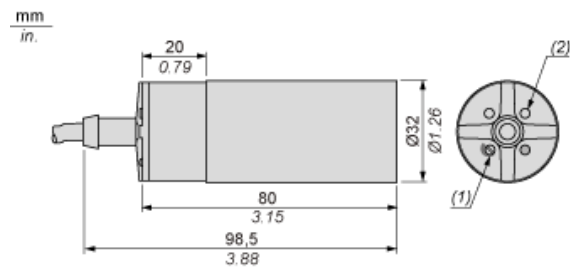
Offer Sustainability

| | |
|----------------------------|---|
| REACH Regulation | REACH Declaration |
| REACH free of SVHC | Yes |
| EU RoHS Directive | Pro-active compliance (Product out of EU RoHS legal scope) EU RoHS Declaration |
| Toxic heavy metal free | Yes |
| Mercury free | Yes |
| RoHS exemption information | Yes |

Contractual warranty

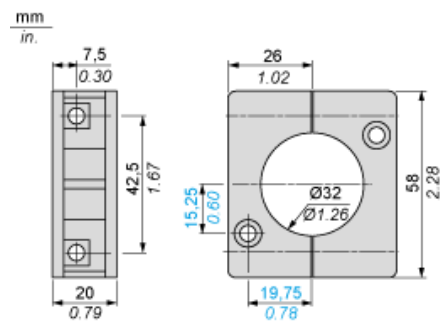
| | |
|----------|-----------|
| Warranty | 18 months |
|----------|-----------|

Dimensions



- (1) Adjustment potentiometer
- (2) LED

Mounting Accessory Included



Setting-up

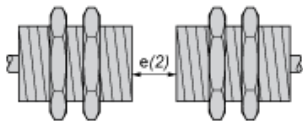
Minimum Mounting Distances (mm)

Side by side



$$e(1) \geq 0$$

Face to face



$$e(2) \geq 33$$

Facing a metal object



$$e(3) \geq 30$$

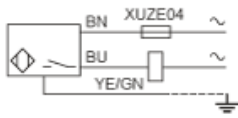
Mounted in support



Wiring Diagram

Pre-cabled

2-wire AC NO Output



(BU) Blue
(BN) Brown
(YE/GN) Yellow/Green