



Main

Range of Product	Lexium SD2
Product or Component Type	Motion stepper drive
Device short name	SD215
Communication interface	Pulse/direction

Complementary

Phase	Single phase
[Us] rated supply voltage	24...48 V
Supply voltage type	DC
Supply voltage limits	12...48 V
Maximum motor phase current	5 A
Current consumption	<= 4 mA
Input current	10 mA - high level SPI interfaces -10 µA - low level SPI interfaces
Output current	14.6 mA step clock 8 mA - high level SPI interfaces -7 mA - low level SPI interfaces
Output voltage	2.1 V high level SPI interfaces) 0.5 V low level SPI interfaces) 5...24 V high level isolated inputs: step clock, direction, enable) 8.7 V low level isolated inputs: step clock, direction, enable)
Input voltage	2 V - high level SPI interfaces signal inputs 1.2 V - low level SPI interfaces signal inputs
Residual ripple	2 V at nominal voltage
Electrical connection	1 connector wire crimp 4 pins motor interface 1 connector wire crimp 12 pins multifunction and communication interface 1 connector wire crimp 2 pins supply voltage 1 connector
Type of cooling	Convection
Width	2.99 in (76 mm)
Height	2.13 in (54 mm)
Depth	3.90 in (99 mm)
Marking	CE
Net Weight	0.75 lb(US) (0.34 kg)

Environment

Electromagnetic compatibility	Electrostatic discharge IEC 61000-4-2 Immunity to radiated radio-electrical interference IEC 61000-4-3 Immunity to electrical transients IEC 61000-4-4 Voltage/Current impulse IEC 61000-4-5 Immunity to voltage dips IEC 61000-4-11 Immunity to conducted RF disturbances IEC 61000-4-6
Standards	EN 55011 group 1 class A EN 61000-3-3 IEC 61000-3-2
Ambient air temperature for operation	32...122 °F (0...50 °C) without derating with flange motor mounted on a steel plate 300 x 300 x 10 mm 122...149 °F (50...65 °C) with power derating of 2.2 % per °C with flange motor mounted on a steel plate 300 x 300 x 10 mm
Ambient Air Temperature for Storage	-13...158 °F (-25...70 °C)
Relative humidity	15...85 % without condensation
Operating altitude	<= 3280.84 ft (1000 m) without derating
IP degree of protection	IP20

Ordering and shipping details

Category	11300-MISC. ITEMS
Discount Schedule	NET
GTIN	3606480190384
Returnability	No

Packing Units

Unit Type of Package 1	PCE
Number of Units in Package 1	1
Package 1 Height	3.54 in (9 cm)
Package 1 Width	5.28 in (13.4 cm)
Package 1 Length	7.76 in (19.7 cm)
Package 1 Weight	16.86 oz (478 g)

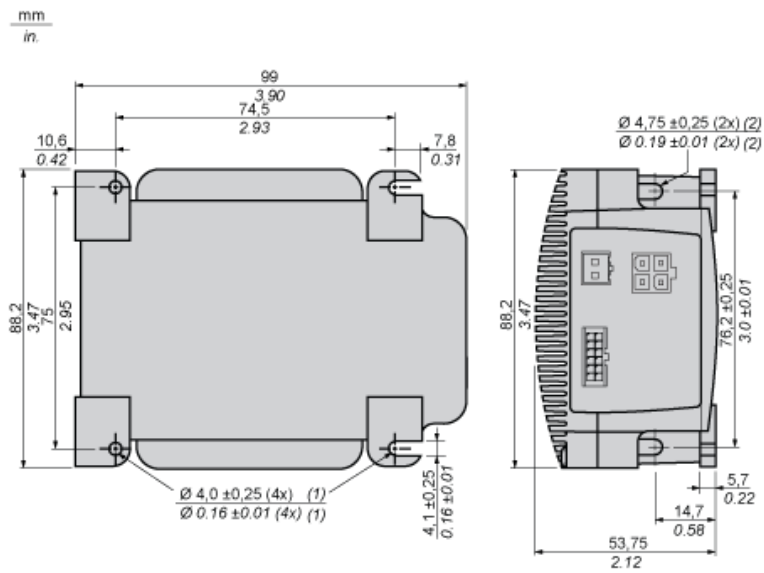
Offer Sustainability

California proposition 65	WARNING: This product can expose you to chemicals including: Lead and lead compounds, which is known to the State of California to cause cancer and birth defects or other reproductive harm. For more information go to www.P65Warnings.ca.gov
REACH Regulation	 REACH Declaration
EU RoHS Directive	Pro-active compliance (Product out of EU RoHS legal scope)
Mercury free	Yes
China RoHS Regulation	 China RoHS Declaration
RoHS exemption information	 Yes
PVC free	Yes

Contractual warranty

Warranty	18 months
----------	-----------

Dimensions



- (1) M3.5 screws for flat mount.
- (2) M4 screws for end mount.