

## Main

|                           |                                            |
|---------------------------|--------------------------------------------|
| Range of Product          | Lexium integrated drive                    |
| Product or Component Type | Motion integrated drive                    |
| Device short name         | ILS                                        |
| Motor Type                | 3-phase stepper motor                      |
| Number of motor poles     | 6                                          |
| Phase                     | Single phase                               |
| [Us] rated supply voltage | 36 V<br>24 V                               |
| Network type              | DC                                         |
| Communication interface   | I/O for motion sequence, Integrated        |
| Length                    | 5.47 in (138.9 mm)                         |
| Winding type              | Medium speed of rotation and medium torque |
| Electrical Connection     | Printed circuit board connector            |
| Holding brake             | Without                                    |
| Gear box type             | Without                                    |
| Nominal speed             | 200 rpm 24 V<br>500 rpm 36 V               |
| Nominal torque            | 13.28 lbf.in (1.5 N.m)                     |
| Holding torque            | 15.05 lbf.in (1.7 N.m)                     |

## Complementary

|                                       |                                                                                                                  |
|---------------------------------------|------------------------------------------------------------------------------------------------------------------|
| Transmission Rate                     | 9.6, 19.2 and 38.4 kbauds                                                                                        |
| Mounting Support                      | Flange                                                                                                           |
| Motor flange size                     | 2.24 in (57 mm)                                                                                                  |
| Number of motor stacks                | 3                                                                                                                |
| Centring collar diameter              | 1.50 in (38.1 mm)                                                                                                |
| Centring collar depth                 | 0.06 in (1.6 mm)                                                                                                 |
| Number of mounting holes              | 4                                                                                                                |
| Mounting holes diameter               | 0.20 in (5.2 mm)                                                                                                 |
| Circle diameter of the mounting holes | 2.62 in (66.6 mm)                                                                                                |
| Feedback type                         | Index pulse                                                                                                      |
| Shaft end                             | Untapped                                                                                                         |
| Second shaft                          | Without second shaft end                                                                                         |
| Shaft diameter                        | 0.31 in (8 mm)                                                                                                   |
| Shaft length                          | 0.83 in (21 mm)                                                                                                  |
| Supply voltage limits                 | 18...40 V                                                                                                        |
| Current consumption                   | 3500 mA maximum continuous                                                                                       |
| Associated fuse rating                | 10 A                                                                                                             |
| Commissioning interface               | RS485 9.6, 19.2 and 38.4 kbauds)                                                                                 |
| Input/output type                     | 4 signals (each be used as input or output)                                                                      |
| Voltage state 0 guaranteed            | -3...4.5 V                                                                                                       |
| Voltage state 1 guaranteed            | 15...30 V                                                                                                        |
| Discrete input current                | 10 MA at 24 V on/STO_A safety input<br>3 MA at 24 V on/STO_B safety input<br>10 mA at 24 V 24 V signal interface |
| Discrete output voltage               | 10...30 V                                                                                                        |

|                           |                                                                                      |
|---------------------------|--------------------------------------------------------------------------------------|
| Maximum switching current | 100 MA per output<br>200 mA total                                                    |
| Protection Type           | Overload of output voltage<br>Short circuit of the output voltage<br>Safe torque off |
| Peak stall torque         | 13.28 lbf.in (1.5 N.m)                                                               |
| Continuous stall torque   | 13.28 lbf.in (1.5 N.m)                                                               |
| Speed feedback resolution | 20000 points/turn                                                                    |
| Accuracy error            | +/- 6 arc min                                                                        |
| Rotor inertia             | 0.38 kg.cm <sup>2</sup>                                                              |
| Maximum mechanical speed  | 3000 rpm                                                                             |
| Maximum radial force Fr   | 50 N                                                                                 |
| Maximum axial force Fa    | 100 N tensile force)<br>8.4 N force pressure)                                        |
| Service life in hours     | 20000 h bearing                                                                      |
| Marking                   | CE                                                                                   |
| Type of cooling           | Natural convection                                                                   |
| Net Weight                | 4.41 lb(US) (2 kg)                                                                   |

## Environment

|                                                       |                                                                                                                                          |
|-------------------------------------------------------|------------------------------------------------------------------------------------------------------------------------------------------|
| Standards                                             | EN 61800-3 : 2001-02<br>EN 61800-3:2001, second environment<br>IEC 61800-3<br>IEC 60072-1<br>IEC 50347<br>IEC 50178<br>IEC 61800-3, Ed 2 |
| Product Certifications                                | UL[RETURN]TÜV[RETURN]cUL                                                                                                                 |
| Ambient air temperature for operation                 | 122...149 °F (50...65 °C) with power derating of 2 % per °C)<br>32...122 °F (0...50 °C) without derating)                                |
| Permissible ambient air temperature around the device | 230 °F (110 °C) motor                                                                                                                    |
| Ambient Air Temperature for Storage                   | -13...158 °F (-25...70 °C)                                                                                                               |
| Operating altitude                                    | <= 3280.84 ft (1000 m) without derating                                                                                                  |
| Relative humidity                                     | 15...85 % without condensation                                                                                                           |
| Vibration resistance                                  | 20 m/s <sup>2</sup> 10...500 Hz) 10 cycles IEC 60068-2-6                                                                                 |
| Shock resistance                                      | 150 m/s <sup>2</sup> 1000 shocks IEC 60068-2-29                                                                                          |
| IP degree of protection                               | Shaft bushing IP41 IEC 60034-5<br>Total except shaft bushing IP54 IEC 60034-5                                                            |

## Ordering and shipping details

|                   |                                   |
|-------------------|-----------------------------------|
| Category          | 18288-LEXIUM INTEGRATED DRIVES II |
| Discount Schedule | PC56                              |
| GTIN              | 3389119227285                     |
| Returnability     | No                                |
| Country of origin | DE                                |

## Packing Units

|                              |                      |
|------------------------------|----------------------|
| Unit Type of Package 1       | PCE                  |
| Number of Units in Package 1 | 1                    |
| Package 1 Height             | 4.13 in (10.5 cm)    |
| Package 1 Width              | 7.48 in (19.0 cm)    |
| Package 1 Length             | 15.35 in (39.0 cm)   |
| Package 1 Weight             | 6.17 lb(US) (2.8 kg) |

## Offer Sustainability

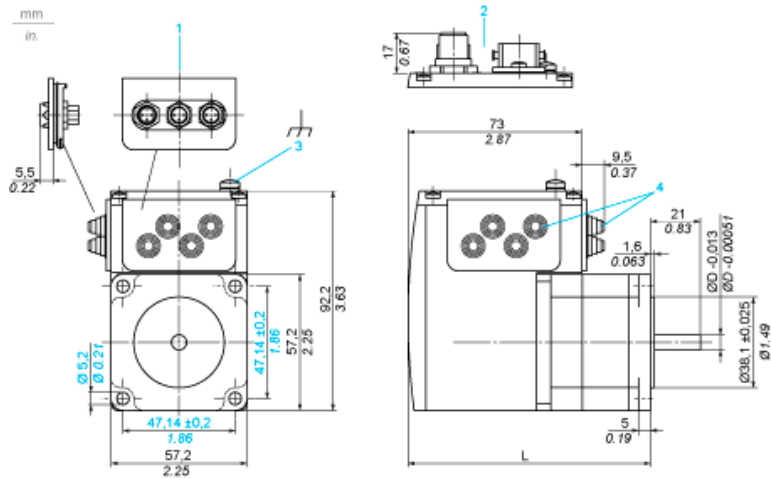
|                            |                                                                                                                                                                                                                                                                                             |
|----------------------------|---------------------------------------------------------------------------------------------------------------------------------------------------------------------------------------------------------------------------------------------------------------------------------------------|
| Sustainable offer status   | Green Premium product                                                                                                                                                                                                                                                                       |
| California proposition 65  | WARNING: This product can expose you to chemicals including: Lead and lead compounds, which is known to the State of California to cause cancer and birth defects or other reproductive harm. For more information go to <a href="http://www.P65Warnings.ca.gov">www.P65Warnings.ca.gov</a> |
| REACH Regulation           | <a href="#">REACH Declaration</a>                                                                                                                                                                                                                                                           |
| EU RoHS Directive          | Pro-active compliance (Product out of EU RoHS legal scope)                                                                                                                                                                                                                                  |
| Mercury free               | Yes                                                                                                                                                                                                                                                                                         |
| China RoHS Regulation      | <a href="#">China RoHS Declaration</a>                                                                                                                                                                                                                                                      |
| RoHS exemption information | <a href="#">Yes</a>                                                                                                                                                                                                                                                                         |
| Environmental Disclosure   | <a href="#">Product Environmental Profile</a>                                                                                                                                                                                                                                               |
| Circularity Profile        | <a href="#">End Of Life Information</a>                                                                                                                                                                                                                                                     |
| WEEE                       | The product must be disposed on European Union markets following specific waste collection and never end up in rubbish bins.                                                                                                                                                                |
| PVC free                   | Yes                                                                                                                                                                                                                                                                                         |

## Contractual warranty

|          |           |
|----------|-----------|
| Warranty | 18 months |
|----------|-----------|

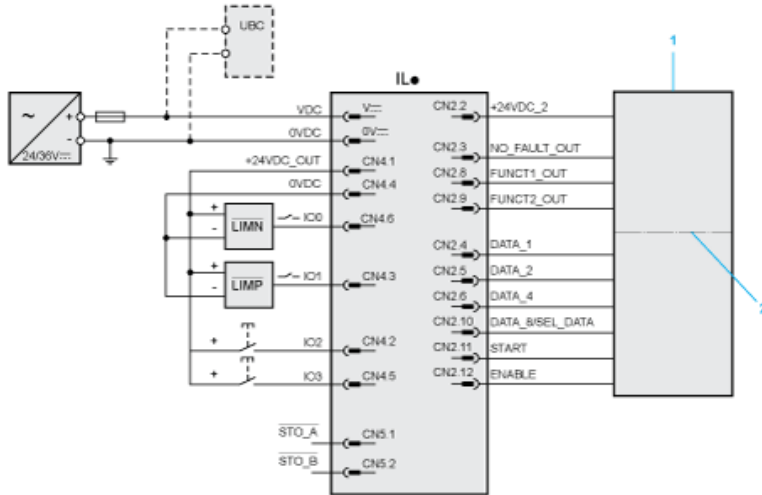
Integrated Drive

Dimensions



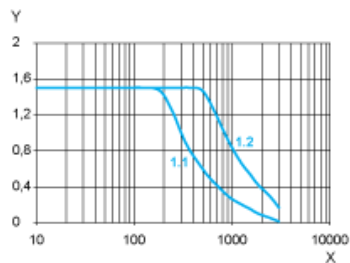
- 1 Accessories: I/O signal insert with industrial connectors
- 2 Option: industrial connectors
- 3 Earth (ground) terminal
- 4 Accessories: cable entries  $\varnothing = 3 \dots 9 \text{ mm} / 0.12 \dots 0.35 \text{ in.}$
- L 138.9 mm / 5.47 in.
- D 8.00 mm / 0.31 in.

Connection Example with 4 I/O Signals



- 1 PLC
- 2 Galvanic isolation

Torque Characteristics



X Speed of rotation in rpm

Y Torque in Nm

1.1 Max. torque at 24 V

1.2 Max. torque at 36 V