



Main

Range of Product	Modicon STB distributed I/O solution
Product or Component Type	Basic analog input kit
Kit composition	STBXTS1100, 6-terminal screw type connector STBXBA1000 base STBXTS2100, 6-terminal spring clamp connector STBACI1225 module
Analogue input type	Current 4...20 mA
Analogue input number	2
Analogue input resolution	10 bits
Type of filter	Single low pass input filter 25 Hz

Complementary

Absolute maximum input	25 mA/50 V DC
Response Time	5 ms
Cold swapping	Yes
Hot swapping fallback	No for basic NIMs
Data format	EN 61131-2 IEC 61131-2
Update time	10 ms
Integral linearity	+/- 0.2 %FS
Differential linearity	Monotonic
Input impedance	<= 300 Ohm
Maximum supply current for sensors	100 mA per input channels
Absolute accuracy error	+/- 0.5 % of full scale 25 °C
Temperature Drift	+/-0.01 %/°C
Insulation between channels and logic bus	1500 V for 1 minute
Insulation between channels and sensor bus	30 V
Addressing requirement	2 input words
Product Compatibility	Mounting base STBXBA1000 Power distribution module STBPDT3100/3105
[Us] rated supply voltage	24 V DC
Supply	Power distribution module
Current consumption	30 mA 5 V DC logic bus
Marking	CE
Overvoltage category	II
Status LED	1 LED (Green) module status (RDY)
Depth	2.76 in (70 mm)
Height	0.55 in (13.9 mm)
Width	5.05 in (128.3 mm)

Environment

Product Certifications	C-tick[RETURN]UL[RETURN]CSA[RETURN]FM Class 1 Division 2[RETURN]ATEX Cat 3G
Pollution degree	2 IEC 60664-1
Operating altitude	<= 6561.68 ft (2000 m)
IP degree of protection	IP20 conforming to IEC 61131-2 class 1
Ambient Air Temperature for Operation	32...140 °F (0...60 °C)

Ambient air temperature for operation	32...140 °F without derating
Ambient air temperature for storage	-40...185 °F (-40...85 °C) without derating
Ambient air temperature for storage	-40...185 °F without derating
Relative humidity	95 % 140 °F (60 °C) without condensation
Vibration resistance	+/-0.35 mm 10...58 Hz 3 gn 58...150 Hz 35 x 7.5 mm symmetrical DIN rail 5 gn 58...150 Hz 35 x 15 mm symmetrical DIN rail
Shock resistance	30 gn 11 ms IEC 88 reference 2-27

Ordering and shipping details

Category	18215-ADVANTYS STB I/O
Discount Schedule	PC32
GTIN	3595863948387
Returnability	Yes
Country of origin	ID

Packing Units

Unit Type of Package 1	PCE
Number of Units in Package 1	1
Package 1 Height	1.10 in (2.79 cm)
Package 1 Width	3.20 in (8.13 cm)
Package 1 Length	5.20 in (13.21 cm)
Package 1 Weight	4.94 oz (140 g)
Unit Type of Package 2	S02
Number of Units in Package 2	28
Package 2 Height	5.91 in (15 cm)
Package 2 Width	11.81 in (30 cm)
Package 2 Length	15.75 in (40 cm)
Package 2 Weight	9.40 lb(US) (4.262 kg)
Unit Type of Package 3	P06
Number of Units in Package 3	448
Package 3 Height	29.53 in (75.0 cm)
Package 3 Width	15.75 in (40.0 cm)
Package 3 Length	31.50 in (80.0 cm)
Package 3 Weight	189.44 lb(US) (85.928 kg)

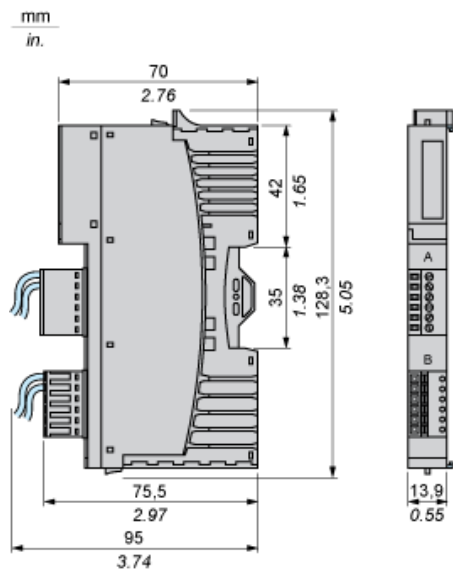
Offer Sustainability

California proposition 65	WARNING: This product can expose you to chemicals including: Lead and lead compounds, which is known to the State of California to cause cancer and birth defects or other reproductive harm. For more information go to www.P65Warnings.ca.gov
REACH Regulation	 REACH Declaration
EU RoHS Directive	Pro-active compliance (Product out of EU RoHS legal scope)
Mercury free	Yes
China RoHS Regulation	 China RoHS Declaration
RoHS exemption information	 Yes
WEEE	The product must be disposed on European Union markets following specific waste collection and never end up in rubbish bins.

Contractual warranty

Warranty	18 months
----------	-----------

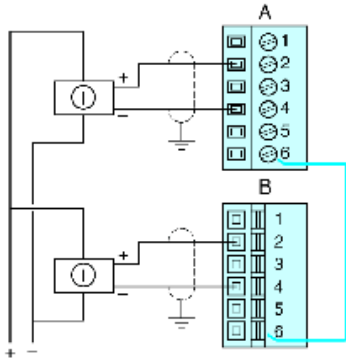
Dimensions



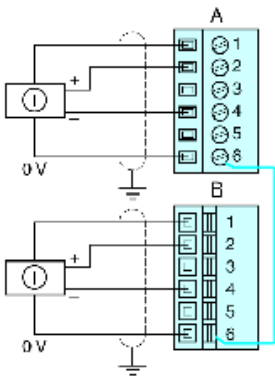
Wiring Diagrams

Examples

2 isolated analog sensors, external 24 VDC power supply



2 non-isolated analog sensors, 24 VDC supplied by the PDM



Pin	Top Connections	Bottom Connections
1	+24 VDC from field power bus for field device accessories	+24 VDC from field power bus for field device accessories
2	input from sensor 1	input from sensor 2
3	no connection	no connection
4	analog input return	analog input return
5	no connection	no connection
6	field power return (to the module)	field power return (to the module)