



## Main

Range of Product	Harmony SCU
Product or Component Type	Small touchscreen display HMI
Display size	5.7 inch
Pixel resolution	320 x 240 pixels QVGA

## Complementary

Display type	Backlit LED colour TFT LCD
Touch panel	Analogue
Backlight lifespan	50000 hours 65536 colours
Brightness	16 levels via touch panel
View angle horiz x vert	60° left 60° right 40° top 60° bottom
Character font	Korean Chinese (simplified Chinese) ASCII Taiwanese (traditional Chinese) Japanese (ANK, Kanji)
Height	5.08 in (129.15 mm)
Width	6.42 in (163 mm)
Depth	5.09 in (129.4 mm)
Net Weight	0.89 lb(US) (0.405 kg)

## Environment

Product Certifications	UKCA
------------------------	------

## Ordering and shipping details

Category	22569-MAGELIS XBT-GT (AND XBT-G)
Discount Schedule	MC2
GTIN	3595864149059
Returnability	Yes
Country of origin	CN

The information provided in this documentation contains general descriptions and/or technical characteristics of the performance of the products contained herein. This documentation is not intended as a substitute for and is not to be used for determining suitability or reliability of these products for specific user applications. It is the duty of any such user or integrator to perform the appropriate and complete risk analysis, evaluation and testing of the products with respect to the relevant specific application or use thereof. Neither Schneider Electric Industries SAS nor any of its affiliates or subsidiaries shall be responsible or liable for misuse of the information contained herein.

## Packing Units

Unit Type of Package 1	PCE
Number of Units in Package 1	1
Package 1 Height	7.24 in (18.4 cm)
Package 1 Width	2.20 in (5.6 cm)
Package 1 Length	10.51 in (26.7 cm)
Package 1 Weight	23.28 oz (660 g)

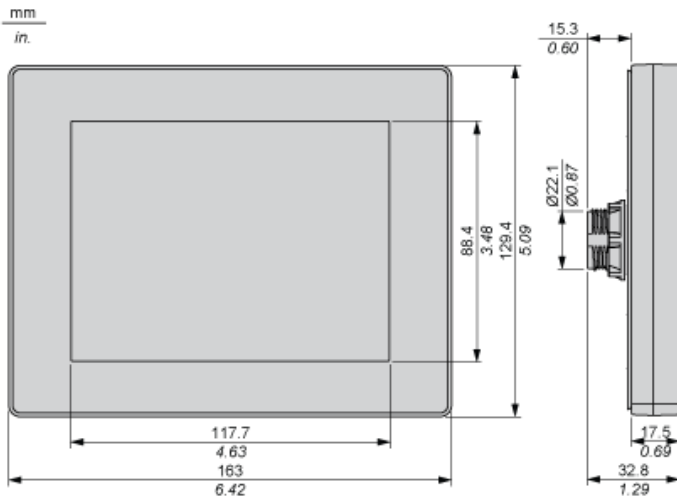
## Offer Sustainability

Sustainable offer status	Green Premium product
California proposition 65	WARNING: This product can expose you to chemicals including: Lead and lead compounds, which is known to the State of California to cause cancer and birth defects or other reproductive harm. For more information go to <a href="http://www.P65Warnings.ca.gov">www.P65Warnings.ca.gov</a>
REACH Regulation	<a href="#">REACH Declaration</a>
EU RoHS Directive	Pro-active compliance (Product out of EU RoHS legal scope)
Mercury free	Yes
China RoHS Regulation	<a href="#">China RoHS Declaration</a>
RoHS exemption information	<a href="#">Yes</a>
Environmental Disclosure	<a href="#">Product Environmental Profile</a>
Circularity Profile	<a href="#">End Of Life Information</a>
WEEE	The product must be disposed on European Union markets following specific waste collection and never end up in rubbish bins.
Upgradeability	Upgradeable through digital modules and upgraded components

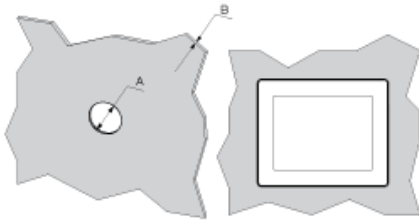
## Contractual warranty

Warranty	18 months
----------	-----------

## Dimensions of 5.7-inches Display Module

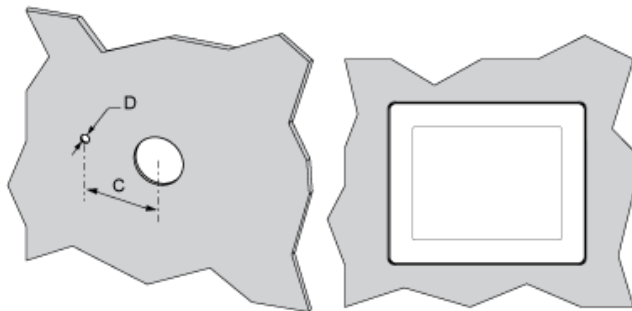


Mounting Without an Anti-Rotation Tee



A	B (1)	B (2)
22.50 <sup>0/-0.30</sup> mm (0.88 <sup>0/-0.01</sup> in.)	1.5...6 mm (0.06...0.23 in.)	3...6 mm (0.11...0.23 in.)

Mounting With an Anti-Rotation Tee



C	D
30 <sup>0/-0.20</sup> mm (1.18 <sup>0/-0.0007</sup> in.)	4 <sup>0/-0.20</sup> mm (0.15 <sup>0/-0.0007</sup> in.)