

## Main

|                           |  |
|---------------------------|--|
| Range of Product          | Lexium integrated drive                  |
| Product or Component Type | Motion integrated drive                  |
| Device short name         | ILA                                      |
| Motor Type                | AC Synchronous Servo Motor               |
| Number of motor poles     | 6  |
| Phase                     | Single phase                             |
| [Us] rated supply voltage | 36 V<br>24 V                             |
| Network type              | DC                                       |
| Communication interface   | CANopen DS301, Integrated                |
| Length                    | 7.51 in (190.8 mm)                       |
| Winding type              | High speed of rotation and medium torque |
| Electrical Connection     | Printed circuit board connector          |
| Holding brake             | With                                     |
| Gear box type             | Without                                  |
| Nominal speed             | 5100 rpm 24 V<br>7500 rpm 36 V           |
| Nominal torque            | 2.30 lbf.in (0.26 N.m)                   |
| Holding torque            | 10.62 lbf.in (1.2 N.m) holding brake     |

## Complementary

|                                       |   |
|---------------------------------------|---|
| Transmission Rate                     | 50, 100, 125, 250, 500, 800 and 1000 kbauds   |
| Mounting Support                      | Flange  |
| Motor flange size                     | 2.24 in (57 mm)   |
| Number of motor stacks                | 1   |
| Centring collar diameter              | 1.97 in (50 mm)   |
| Centring collar depth                 | 0.06 in (1.6 mm)  |
| Number of mounting holes              | 4   |
| Mounting holes diameter               | 0.20 in (5.2 mm)  |
| Circle diameter of the mounting holes | 2.62 in (66.6 mm)   |
| Feedback type                         | Single turn encoder   |
| Shaft end                             | Untapped  |
| Second shaft                          | Without second shaft end  |
| Shaft diameter                        | 0.35 in (9 mm)  |
| Shaft length                          | 0.79 in (20 mm)   |
| Supply voltage limits                 | 18...40 V   |
| Current consumption                   | 11000 mA peak<br>7500 mA maximum continuous   |
| Associated fuse rating                | 10 A  |
| Input/output type                     | 4 signals (each be used as input or output)   |
| Voltage state 0 guaranteed            | -3...4.5 V  |
| Voltage state 1 guaranteed            | 15...30 V   |
| Discrete input current                | 10 MA at 24 V on/STO_A safety input<br>3 MA at 24 V on/STO_B safety input<br>2 mA at 24 V 24 V signal interface |
| Discrete output voltage               | 23...25 V   |

|                           |  |
|---------------------------|--|
| Maximum switching current | 100 MA per output<br>200 mA total  |
| Protection Type           | Overload of output voltage<br>Safe torque off<br>Short circuit of the output voltage |
| Peak stall torque         | 3.81 lbf.in (0.43 N.m)   |
| Continuous stall torque   | 2.30 lbf.in (0.26 N.m)   |
| Speed feedback resolution | 16384 points/turn x 4096 turns   |
| Accuracy error            | +/- 0.05 °   |
| Rotor inertia             | 0.17 kg.cm <sup>2</sup>  |
| Maximum radial force Fr   | 89 N   |
| Maximum axial force Fa    | 104 N force pressure)<br>104 N tensile force)  |
| Service life in hours     | 20000 h bearing  |
| Brake pull-in power       | 10 W   |
| Brake release time        | 14 ms  |
| Brake application time    | 13 ms  |
| Marking                   | CE   |
| Type of cooling           | Natural convection   |
| Net Weight                | 3.09 lb(US) (1.4 kg)   |

## Environment

|   |   |
|---|---|
| Standards   | EN 61800-3 : 2001-02<br>IEC 60072-1<br>IEC 61800-3, Ed 2<br>EN 61800-3:2001, second environment<br>EN 50347<br>EN/IEC 50178<br>EN/IEC 61800-3 |
| Product Certifications                                | UL[RETURN]TÜV[RETURN]cUL  |
| Ambient air temperature for operation                 | 122...149 °F (50...65 °C) with power derating of 2 % per °C)<br>32...122 °F (0...50 °C) without derating)                                     |
| Permissible ambient air temperature around the device | 221 °F (105 °C) power amplifier<br>230 °F (110 °C) motor  |
| Ambient Air Temperature for Storage                   | -13...158 °F (-25...70 °C)  |
| Operating altitude                                    | <= 3280.84 ft (1000 m) without derating   |
| Relative humidity                                     | 15...85 % without condensation  |
| Vibration resistance                                  | 20 m/s <sup>2</sup> 10...500 Hz) 10 cycles EN/IEC 60068-2-6   |
| Shock resistance                                      | 150 m/s <sup>2</sup> 1000 shocks EN/IEC 60068-2-29  |
| IP degree of protection                               | Shaft bushing IP41 EN/IEC 60034-5<br>Total except shaft bushing IP54 EN/IEC 60034-5   |

## Ordering and shipping details

|                   |                                   |
|-------------------|-----------------------------------|
| Category          | 18288-LEXIUM INTEGRATED DRIVES II |
| Discount Schedule | PC56                              |
| GTIN              | 3389119225458                     |
| Returnability     | No                                |
| Country of origin | DE                                |

## Packing Units

|                              |                        |
|------------------------------|------------------------|
| Unit Type of Package 1       | PCE                    |
| Number of Units in Package 1 | 1                      |
| Package 1 Height             | 4.53 in (11.5 cm)      |
| Package 1 Width              | 7.48 in (19 cm)        |
| Package 1 Length             | 15.55 in (39.5 cm)     |
| Package 1 Weight             | 5.12 lb(US) (2.322 kg) |
| Unit Type of Package 2       | S04                    |
| Number of Units in Package 2 | 8                      |
| Package 2 Height             | 11.81 in (30 cm)       |

|                              |                          |
|------------------------------|--------------------------|
| Package 2 Width              | 15.75 in (40 cm)         |
| Package 2 Length             | 23.62 in (60 cm)         |
| Package 2 Weight             | 43.71 lb(US) (19.828 kg) |
| Unit Type of Package 3       | S06                      |
| Number of Units in Package 3 | 10                       |
| Package 3 Height             | 28.94 in (73.5 cm)       |
| Package 3 Width              | 23.62 in (60 cm)         |
| Package 3 Length             | 31.50 in (80 cm)         |
| Package 3 Weight             | 79.85 lb(US) (36.22 kg)  |

### Offer Sustainability

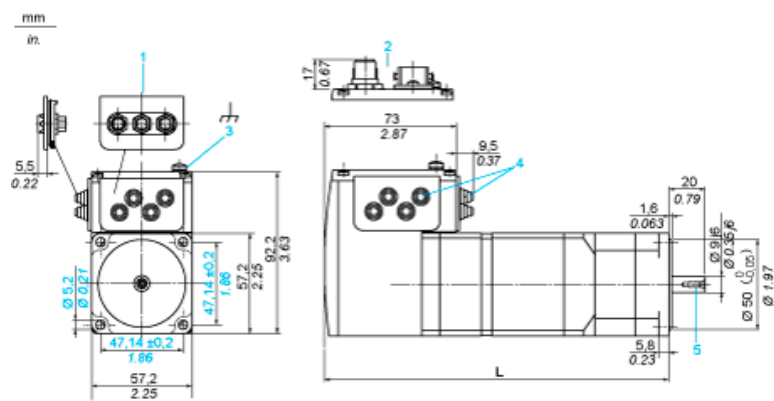
|                            |   |
|----------------------------|---|
| Sustainable offer status   | Green Premium product   |
| California proposition 65  | WARNING: This product can expose you to chemicals including: Lead and lead compounds, which is known to the State of California to cause cancer and birth defects or other reproductive harm. For more information go to <a href="http://www.P65Warnings.ca.gov">www.P65Warnings.ca.gov</a> |
| REACH Regulation           | <a href="#">REACH Declaration</a>   |
| EU RoHS Directive          | Pro-active compliance (Product out of EU RoHS legal scope)  |
| Mercury free               | Yes   |
| China RoHS Regulation      | <a href="#">China RoHS Declaration</a>  |
| RoHS exemption information | <a href="#">Yes</a>   |
| Environmental Disclosure   | <a href="#">Product Environmental Profile</a>   |
| Circularity Profile        | <a href="#">End Of Life Information</a>   |
| WEEE                       | The product must be disposed on European Union markets following specific waste collection and never end up in rubbish bins.  |
| PVC free                   | Yes   |

### Contractual warranty

|          |           |
|----------|-----------|
| Warranty | 18 months |
|----------|-----------|

Integrated Drive with Holding Brake

Dimensions



- 1 Accessories: I/O signal insert with industrial connectors
- 2 Option: industrial connectors
- 3 Earth (ground) terminal
- 4 Accessories: cable entries  $\varnothing = 3 \dots 9 \text{ mm} / 0.12 \dots 0.35 \text{ in.}$
- 5 Centring hole DIN 332 - DS M3
- L 190.8 mm / 7.51 in.

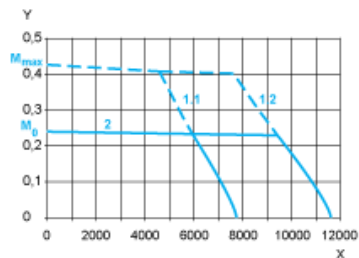
Connection Example with 4 I/O Signals



---

Torque Characteristics

---



- X Speed of rotation in rpm  
Y Torque in Nm  
1.1 Max. torque at 24 V  
1.2 Max. torque at 36 V  
2 Continuous torque