



Main

Range of Product	Modicon TM5
Product or Component Type	Sercos III communication module
Physical interface	RJ45

Complementary

Range Compatibility	Modicon LMC078
Product Compatibility	Motion controller
Integrated connection type	Ethernet/IP, 2 RJ45 connectors Sercos, 100 Mbit/s
Current consumption	350 mA 5 V DC, base
Device composition	Interface module Bus base ordered separately Power supply ordered separately Terminal block ordered separately
Maximum power dissipation in W	1.75 W
Color	White
Local signalling	1 LED green/red STAT 1 LED green/red Sercos III 1 LED green Sercos III port 1 1 LED green Sercos III port 2
Net Weight	0.07 lb(US) (0.03 kg)

Environment

Resistance to electrostatic discharge	4 kV on contact IEC 61000-4-2 8 kV in air IEC 61000-4-2
Resistance to electromagnetic fields	0.91 V/m (1 V/m) 2...2.7 GHz IEC 61000-4-3 9.14 V/m (10 V/m) 80 MHz...2 GHz IEC 61000-4-3
Resistance to fast transients	1 kV IEC 61000-4-4 I/O) 1 kV IEC 61000-4-4 shielded cable) 2 kV IEC 61000-4-4 power lines)
Surge withstand	0.5 kV differential mode IEC 61000-4-5 1 kV common mode IEC 61000-4-5
Electromagnetic compatibility	EN/IEC 61000-4-6
Disturbance radiated/conducted	CISPR 11

Ordering and shipping details

Category	18296-PACDRIVE-3 PRODUCTS
Discount Schedule	PC51
GTIN	3595864109091
Returnability	Yes
Country of origin	AT

Packing Units

Unit Type of Package 1	PCE
Number of Units in Package 1	1
Package 1 Height	1.18 in (3.000 cm)
Package 1 Width	2.36 in (6.000 cm)
Package 1 Length	4.13 in (10.500 cm)
Package 1 Weight	2.54 oz (72.000 g)
Unit Type of Package 2	S02
Number of Units in Package 2	50
Package 2 Height	5.91 in (15.000 cm)
Package 2 Width	11.81 in (30.000 cm)
Package 2 Length	15.75 in (40.000 cm)
Package 2 Weight	8.49 lb(US) (3.852 kg)

Offer Sustainability

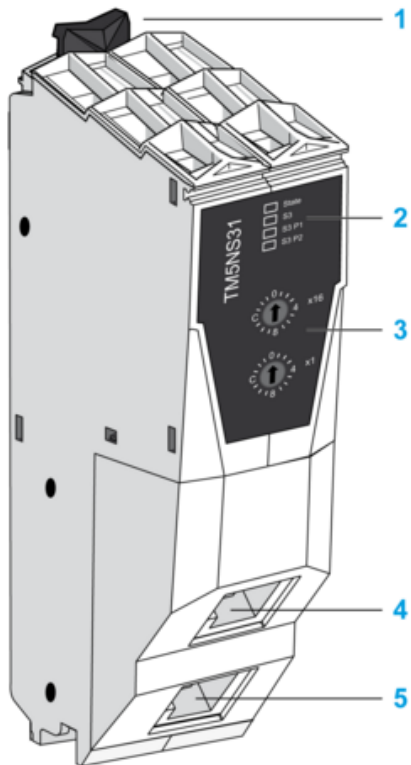
Sustainable offer status	Green Premium product
California proposition 65	WARNING: This product can expose you to chemicals including: Lead and lead compounds, which is known to the State of California to cause cancer and birth defects or other reproductive harm. For more information go to www.P65Warnings.ca.gov
REACH Regulation	REACH Declaration
EU RoHS Directive	Pro-active compliance (Product out of EU RoHS legal scope)
Toxic heavy metal free	Yes
Mercury free	Yes
China RoHS Regulation	China RoHS Declaration
RoHS exemption information	Yes
Environmental Disclosure	Product Environmental Profile
Circularity Profile	End Of Life Information
WEEE	The product must be disposed on European Union markets following specific waste collection and never end up in rubbish bins.
PVC free	Yes

Contractual warranty

Warranty	18 months
----------	-----------

Presentation

Sercos fieldbus interface module

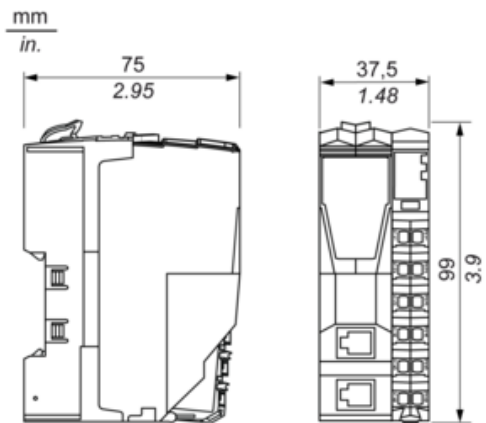


- 1 Locking clip
- 2 Status LEDs
- 3 Sercos III address setting rotary switches
- 4 Sercos III Port 1 connector (RJ45)
- 5 Sercos III Port 2 connector (RJ45)

Dimensions and Schema

Sercos Fieldbus Interface Module

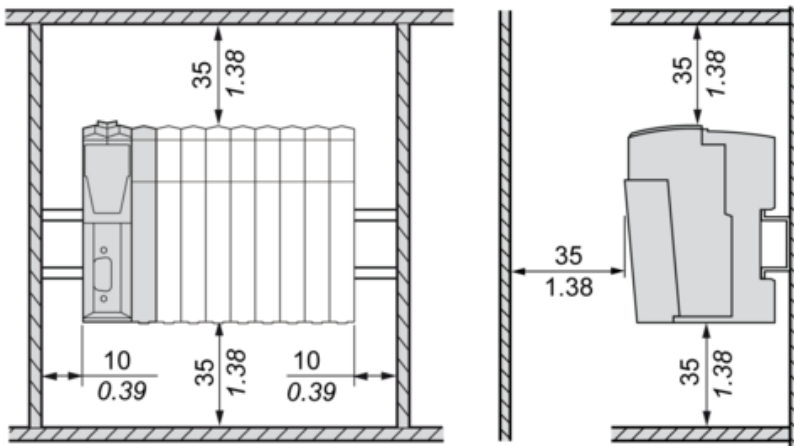
Dimensions



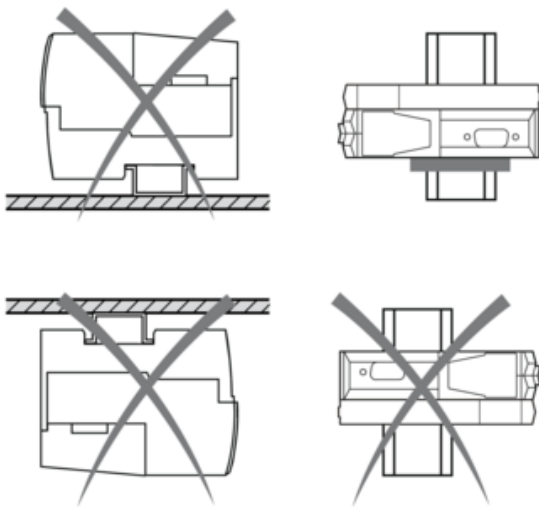
TM5 System

Spacing Requirements

mm
in.

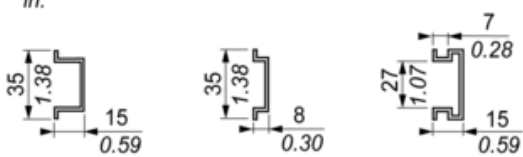


Mounting Position



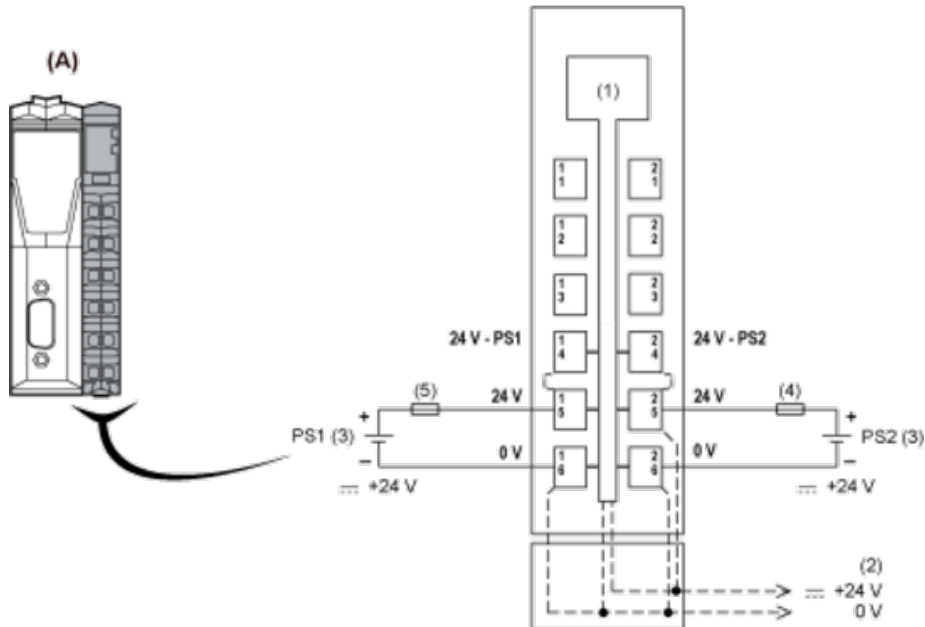
Mounting on a Din Rail

mm
in.



Connections and Schema

Wiring Diagram



- (A) Interface Power Distribution Module (IPDM)
- (1) Internal electronics
- (2) 24 Vdc I/O power segment integrated in the bus bases
- (3) PS1/PS2: External isolated power supply 24 Vdc
- (4) External fuse, Type T slow blow, 10 A max., 250 V
- (5) External fuse, Type T slow blow, 1 A, 250 V