

ORDERING INFORMATION

Order code: 10476
 Description: E221T5PS120-277/N
 UPC: 69549104761



SPECIFICATIONS

Ballast type: Electronic
Starting method: Program Start
Lamp connection: Series
Input voltage (V): 120-277 V
Input frequency (Hz): 60 HZ
Max. case temperature: 75 °C
Thermal protection: Class P

Type: 1 Outdoor
Contains PCBs: No
Sound rating: A
Open current voltage (OCV) (V): 550
Inherent thermal protection: Yes
Lamp protection circuit: Yes
ICES-005 Compliant: Class A RFLD
End of life (EoL) protection: Yes
Auto-restrike: Yes



Lamp type	Number of lamps	Rated lamp watts	Min. start temp. (°F / °C)	Input current (A)	Input power (ANSI watts)	Ballast factor	Max THD (%)	Power factor	Max. lamp current crest factor	B.E.F.
120 VOLTS										
F21T5 (21W)	2	21	-4 /-20	0.40	47	1.00	10	0.99	1.7	2.13
F14T5 (14W)	2	14	-4 /-20	0.28	33	1.03	10	0.99	1.7	3.12
F21T5 (21W)	1	21	-4 /-20	0.20	24	1.02	10	0.99	1.7	4.25
F14T5 (14W)	1	14	-4 /-20	0.15	17	1.05	10	0.99	1.7	6.18
230 VOLTS										
F21T5 (21W)	2	21	-4 /-20	0.20	47	1.00	10	0.99	1.7	2.13
F14T5 (14W)	2	14	-4 /-20	0.15	34	1.03	10	0.99	1.7	3.03
F21T5 (21W)	1	21	-4 /-20	0.10	24	1.02	15	0.99	1.7	4.25
F14T5 (14W)	1	14	-4 /-20	0.08	18	1.05	15	0.99	1.7	5.83
277 VOLTS										
F21T5 (21W)	2	21	-4 /-20	0.17	48	1.02	10	0.99	1.7	2.13
F14T5 (14W)	2	14	-4 /-20	0.13	34	1.05	15	0.99	1.7	3.09
F21T5 (21W)	1	21	-4 /-20	0.09	25	1.03	20	0.97	1.7	4.12
F14T5 (14W)	1	14	-4 /-20	0.07	18	1.06	20	0.95	1.7	5.89

WARRANTY:

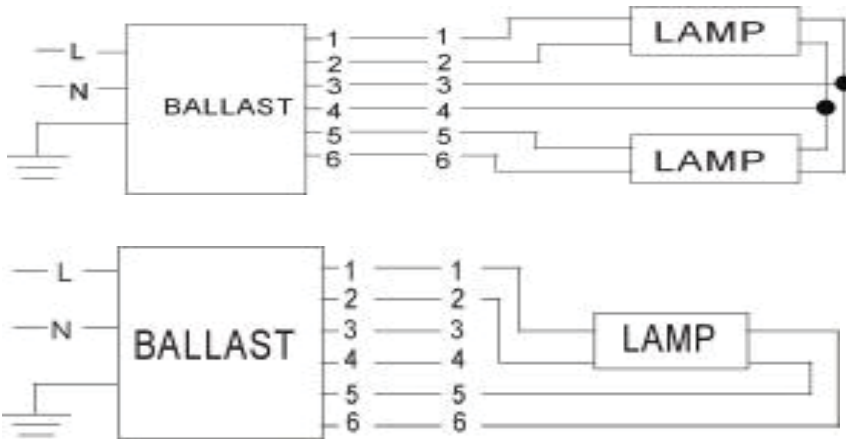
Ballast warranty of 5 years for electronic ballast 75 °C. Ballast warranty of 3 years for electronic ballast 90 °C. For more information visit our website.

Data is based upon tests performed in a controlled environment and representative of relative performance. Actual performance can vary depending on operating conditions. Specifications are subject to change without notice.
 March 9, 2015

ORDERING INFORMATION

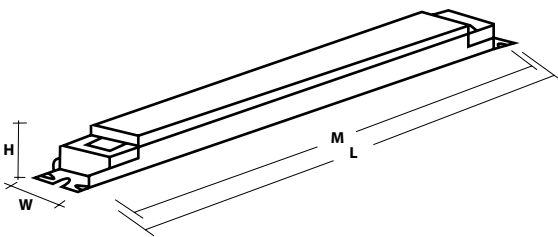
Order code: 10476
 Description: E221T5PS120-277/N
 UPC: 69549104761

WIRING DIAGRAM



BALLAST DIMENSIONS

Length (L):	11.50" (29.2 cm)
Width (W):	1.34" (3.4 cm)
Height (H):	1.06" (2.7 cm)
Mounting (M):	11.14" (28.3 cm)



WARRANTY:

Ballast warranty of 5 years for electronic ballast 75 °C. Ballast warranty of 3 years for electronic ballast 90 °C.
 For more information visit our website.

Data is based upon tests performed in a controlled environment and representative of relative performance.
 Actual performance can vary depending on operating conditions. Specifications are subject to change without notice.
 March 9, 2015