

# TM5SDO4RK

Discrete output module, Modicon TM5,  
Composition kit of I/O(TM5SDO4R) + term.  
block(TM5ACTB32) + bus base(TM5ACBM12)



## Main

Range of Product	Modicon TM5
Product or Component Type	Discrete output module
Discrete output number	4
Discrete output type	Relay
Output voltage	230 V AC 30 V DC

## Complementary

Device composition	Bus sub-base TM5ACBM12 Terminal block TM5ACTB32 I/O module TM5SDO4R
Range Compatibility	Modicon LMC058 Modicon M258
Product Compatibility	Motion controller Logic controller
Output voltage limits	184...276 V AC 24...36 V DC
Discrete output function	4 NO
Current per channel	5 A
Maximum current per output common	10 A
Color	Black
Response time	<= 10 ms from state 0 to state 1 output <= 10 ms from state 1 to state 0 output
Short-circuit protection	Without
Overload protection	Without
Reverse polarity protection	With
Isolation	500 Vrms AC insulation between channel and bus No insulation between channels
Mechanical durability	20000000 cycles
Electrical durability	500000 cycles 5 A
Current consumption	160 mA 5 V DC bus
Maximum power dissipation in W	2.3 W
Marking	CE
Net Weight	0.15 lb(US) (0.07 kg)

The information provided in this documentation contains general descriptions and/or technical characteristics of the performance of the products contained herein. This documentation is not intended as a substitute for and is not to be used for determining suitability or reliability of these products for specific user applications. It is the duty of any such user or integrator to perform the appropriate and complete risk analysis, evaluation and testing of the products with respect to the relevant specific application or use thereof. Neither Schneider Electric Industries SAS nor any of its affiliates or subsidiaries shall be responsible or liable for misuse of the information contained herein.

## Environment

Standards	CSA C22.2 No 213 IEC 61131-2 CSA C22.2 No 142 UL 508
Product Certifications	GOST-R[RETURN]C-tick[RETURN]cULus[RETURN]CSA
Ambient air temperature for operation	32...131 °F (0...55 °C) without derating horizontal installation) 32...140 °F (0...60 °C) with derating factor horizontal installation) 32...122 °F (0...50 °C) vertical installation)
Ambient Air Temperature for Storage	-13...158 °F (-25...70 °C)
Relative Humidity	5...95 % without condensation
IP degree of protection	IP20IEC 61131-2
Pollution degree	2 IEC 60664
Operating altitude	0...6561.68 ft (0...2000 m)
Storage altitude	0.00...9842.52 ft (0...3000 m)
Vibration resistance	1 gn 8.4...150 Hz DIN rail 3.5 mm 5...8.4 Hz DIN rail
Shock resistance	15 gn 11 ms
Resistance to electrostatic discharge	4 kV on contact EN/IEC 61000-4-2 8 kV in air EN/IEC 61000-4-2
Resistance to electromagnetic fields	0.91 V/m (1 V/m) 2...2.7 GHz EN/IEC 61000-4-3 9.14 V/m (10 V/m) 80...2000 MHz EN/IEC 61000-4-3
Resistance to fast transients	1 kV EN/IEC 61000-4-4 I/O) 1 kV EN/IEC 61000-4-4 shielded cable) 2 kV EN/IEC 61000-4-4 power lines)
Surge withstand	0.5 kV differential mode EN/IEC 61000-4-5 1 kV common mode EN/IEC 61000-4-5
Electromagnetic compatibility	EN/IEC 61000-4-6
Disturbance radiated/conducted	CISPR 11

## Packing Units

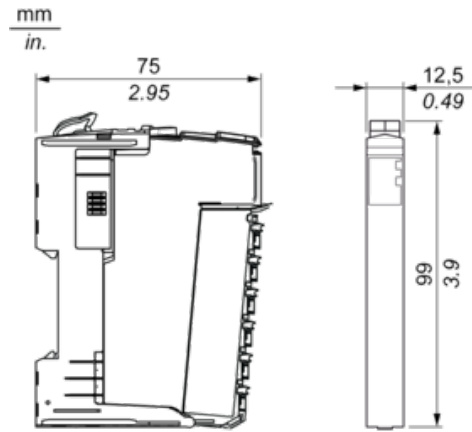
Unit Type of Package 1	PCE
Number of Units in Package 1	1
Package 1 Height	2.76 in (7.000 cm)
Package 1 Width	3.54 in (9.000 cm)
Package 1 Length	4.33 in (11.000 cm)
Package 1 Weight	4.13 oz (117.000 g)
Unit Type of Package 2	S02
Number of Units in Package 2	15
Package 2 Height	5.91 in (15.000 cm)
Package 2 Width	11.81 in (30.000 cm)
Package 2 Length	15.75 in (40.000 cm)
Package 2 Weight	4.03 lb(US) (1.830 kg)

---

TM5 Slice

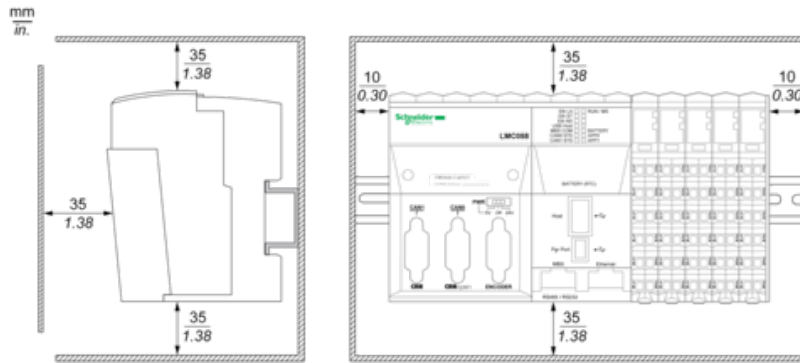
---

Dimensions



TM5 System

Spacing Requirements



Mounting on a DIN Rail

