

TSXDSY16T2

Discrete output module, Modicon Premium, 16 outputs, 1.1W, overvoltage protection by transil diode



Main

Range of Product	Modicon Premium Automation platform
Product or Component Type	Discrete output module
Discrete output number	16
Discrete output type	Solid state protected
Discrete output voltage	24 V DC positive EN/IEC 61131-2 19...30 V
Discrete output current	0.5 A

Complementary

Current per channel	0.625 A
Maximum current per module	7 A
Maximum leakage current	0.5 mA at state 0
[Ures] residual voltage	1.2 V
Response time	1.2 ms
Switching frequency	0.5/LI ² Hz
Output overvoltage protection	By transil diode
Reverse polarity protection	Reverse mounted diode
Output overload protection	Electronic tripping on reactivation
Short-circuit protection	Electronic tripping on reactivation
Preactuator voltage detection threshold	16 V
Minimum load impedance	48 W
Isolation resistance	> 10 MOhm 500 V
Power dissipation	(1.1 W + 0.75 W x No of outputs x current per module)
Marking	CE
Electrical connection	Screw terminal block
Current consumption	80 mA 5 V DC
Module format	Standard
Net Weight	0.75 lb(US) (0.34 kg)

Environment

Dielectric strength	1500 V 50/60 Hz 60 s
Standards	CSA C22.2 No 213 Class I Division 2 Group C CSA C22.2 No 142 93/68/EEC CSA C22.2 No 213 Class I Division 2 Group D 89/336/EEC CSA C22.2 No 213 Class I Division 2 Group A UL 508 IEC 61131-2 CSA C22.2 No 213 Class I Division 2 Group B 73/23/EEC 92/31/EEC
Product Certifications	DNV[RETURN]RMRS[RETURN]GL[RETURN]BV[RETURN]ABS[RETURN]RINA[RETURN]LR
Ambient Air Temperature for Operation	32...140 °F (0...60 °C)
Ambient Air Temperature for Storage	-13...158 °F (-25...70 °C)

The information provided in this documentation contains general descriptions and/or technical characteristics of the performance of the products contained herein. This documentation is not intended as a substitute for and is not to be used for determining suitability or reliability of these products for specific user applications. It is the duty of any such user or integrator to perform the appropriate and complete risk analysis, evaluation and testing of the products with respect to the relevant specific application or use thereof. Neither Schneider Electric Industries SAS nor any of its affiliates or subsidiaries shall be responsible or liable for misuse of the information contained herein.

Relative Humidity	10...95 % without condensation for operation 5...95 % without condensation for storage
Operating altitude	0...6561.68 ft (0...2000 m)
Protective treatment	TC
IP Degree of Protection	IP20
Pollution degree	2

Ordering and shipping details

Category	22558-TSX PREMIUM, ATRIUM & PL7 PRO
Discount Schedule	PC22
GTIN	3389110717600
Returnability	No
Country of origin	FR

Packing Units

Unit Type of Package 1	PCE
Number of Units in Package 1	1
Package 1 Height	2.17 in (5.5 cm)
Package 1 Width	7.09 in (18.0 cm)
Package 1 Length	10.24 in (26.0 cm)
Package 1 Weight	15.98 oz (453.0 g)
Unit Type of Package 2	S03
Number of Units in Package 2	8
Package 2 Height	11.81 in (30.0 cm)
Package 2 Width	11.81 in (30.0 cm)
Package 2 Length	15.75 in (40.0 cm)
Package 2 Weight	8.77 lb(US) (3.977 kg)

Contractual warranty

Warranty	18 months
----------	-----------

Standard and Extendable Racks for Modules Mounting

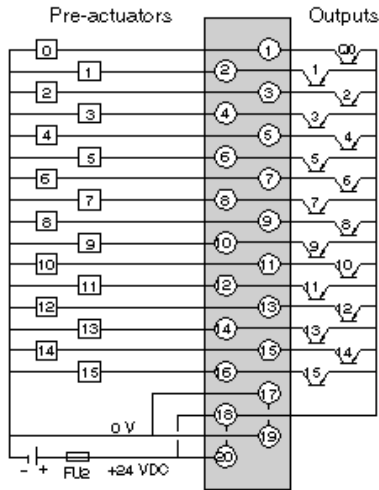
Dimensions of Modules and Racks



- (1) With screw terminal block modules.
- (2) Maximum depth for all types of modules and their associated connectors.

24 Vdc Discrete Transistor Output 16-Channel Module

Wiring Diagram



FU2 6.3 A quick-blow fuse