



Main

Range of product	Modicon ETB
Product or component type	I/O distributed module
Number of output channels	8
Module type	Modbus TCP/IP

Complementary

Input type	Contact
Input logic	Positive
Maximum delay response	2.5 ms
Output current	2 A per module 8 A per output
Output protection type	Against short-circuits
Switching frequency	200 Hz
Short-circuit current	6.5 A
[Us] rated supply voltage	24 V DC
Connector type	M12
Standards	IEC 60068-2-8 IEC 60529

Environment

IP degree of protection	IP67
Ambient air temperature for operation	-13...158 °F (-25...70 °C)
Ambient air temperature for storage	-40...185 °F (-40...85 °C)
Vibration resistance	10 gn

Ordering and shipping details

Category	18215 - ADVANTYS STB I/O
Discount Schedule	PC32
GTIN	00785901630227
Nbr. of units in pkg.	1
Package weight(Lbs)	2.21 lb(US) (1.00 kg)
Returnability	No
Country of origin	IE

Packing Units

Unit Type of Package 1	PCE
Package 1 Height	1.61 in (4.1 cm)
Package 1 width	2.44 in (6.2 cm)
Package 1 Length	8.86 in (22.5 cm)

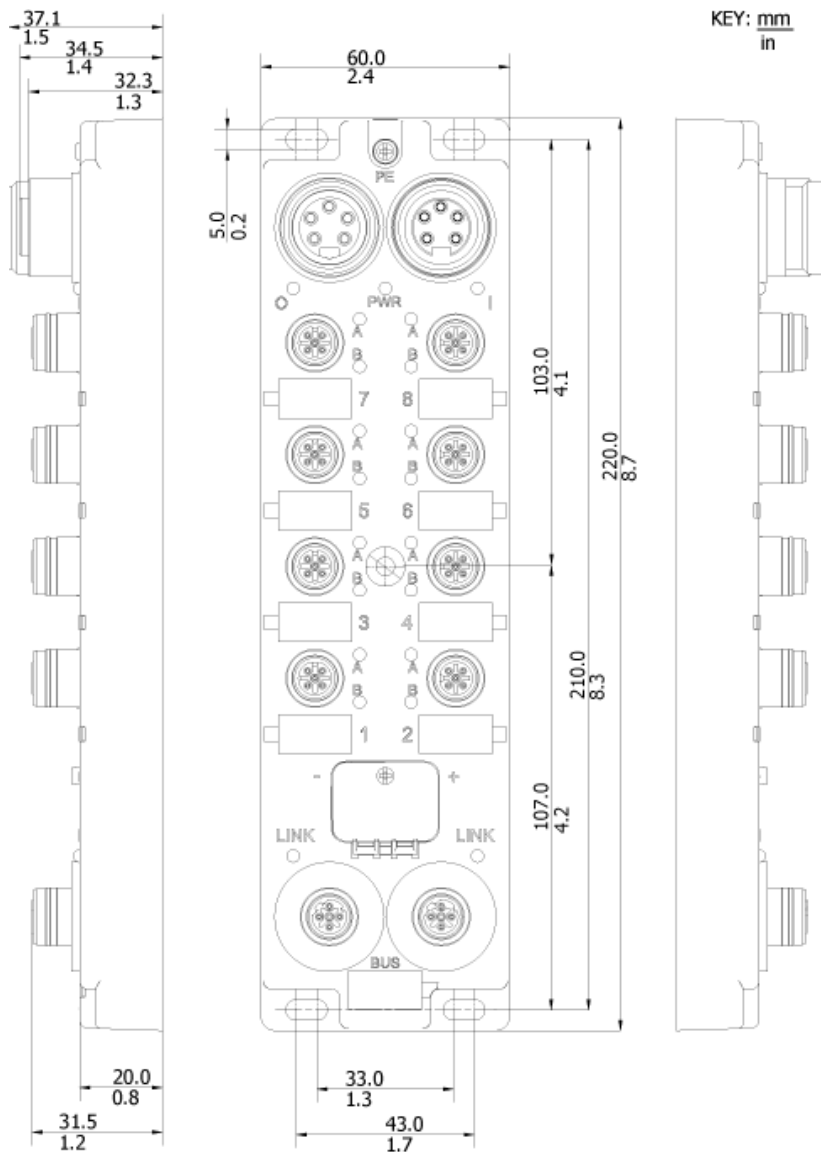
Offer Sustainability

California proposition 65	WARNING: This product can expose you to chemicals including: Lead and lead compounds, which is known to the State of California to cause cancer and birth defects or other reproductive harm. For more information go to www.P65Warnings.ca.gov
EU RoHS Directive	Pro-active compliance (Product out of EU RoHS legal scope) EU RoHS Declaration
China RoHS Regulation	China RoHS Declaration
WEEE	The product must be disposed on European Union markets following specific waste collection and never end up in rubbish bins.

Contractual warranty

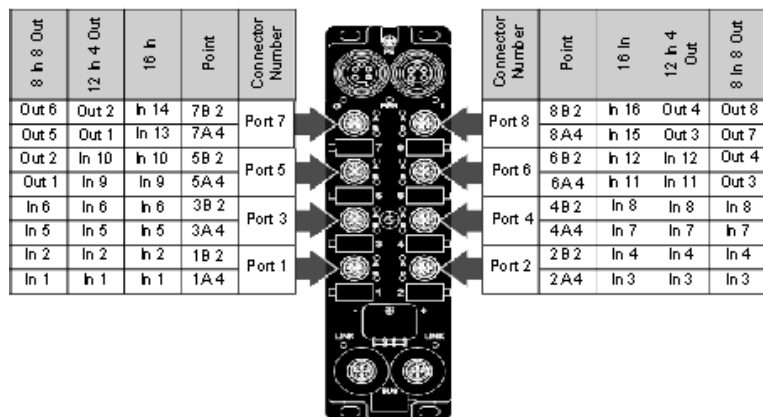
Warranty	18 months
----------	-----------

Dimensions

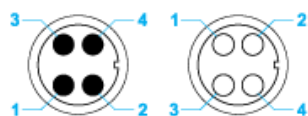


I/O Assignments

Select the number of inputs/outputs according to the product characteristics in order to get the I/O assignment.



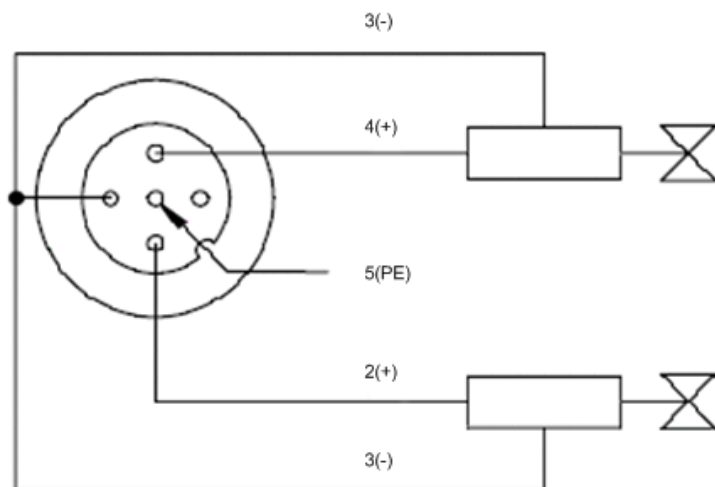
Power Connectors



- 1 output power (24V)
- 2 module/input power (24V)
- 3 module/input power (0V)
- 4 output power (0V)

2-Output Port

IEC Wiring Diagram with 2 Actuators



2-Input Port

IEC Wiring Diagram with 2 Sensors

