



Main

Range Compatibility	Lexium 62 Lexium 32i Lexium 32 Lexium ILS Lexium 52 Lexium SD3 Lexium 62 ILM
Product or Component Type	Angular planetary gearbox
Gear box type	Straight teeth
Device short name	GBY
Product compatibility	BMI 2.76 in (70 mm), 2 BMH 2.76 in (70 mm), 1 BMH 2.76 in (70 mm), 2 BMH 2.76 in (70 mm), 3 BSH 2.76 in (70 mm), 1 BSH 2.76 in (70 mm), 2 BMH 3.94 in (100 mm), 1 BSH 3.94 in (100 mm), 1 BRS3 ILS 3.35 in (85 mm), 1 ILS 3.35 in (85 mm), 2 ILS 3.35 in (85 mm), 3 SH3 MH3 ILM
Gearbox external diameter	3.15 in (80 mm)
Reduction ratio	20:1

Complementary

Maximum torsional backlash	15 arc.min
Torsional rigidity	6.5 N.m/arcmin
Housing Colour	Black
Housing material	Black anodized aluminium
Shaft material	C 45
Additional information	Lubricated for life
Service life in hours	30000 h 100 rpm 86 °F (30 °C)
Mounting position	Any position
Efficiency	92 %
Maximum radial force Fr	650 N 100 rpm, force applied at mid-distance from output shaft during 30000 hour at 30 °C
Maximum axial force Fa	1200 N 100 rpm, during 30000 hour at 30°C
Moment of inertia	0.859 kg.cm ²
Continuous output torque	1062.09 lbf.in (120 N.m) 100 rpm 86 °F (30 °C)
Maximum output torque	1699.34 lbf.in (192 N.m) 100 rpm 86 °F (30 °C)
Net Weight	11.02 lb(US) (5 kg)
Input diameter	0.75 in (19.0 mm)

Environment

Noise level	73 dB 1 m, no-load
IP Degree of Protection	Shaft output IP54
Ambient temperature for operation	-13...194 °F (-25...90 °C)

Ordering and shipping details

Category	18283-NEUGART GEARBOXES
Discount Schedule	PC53
GTIN	3606480388767
Returnability	No
Country of origin	DE

Packing Units

Unit Type of Package 1	PCE
Number of Units in Package 1	1
Package 1 Height	4.41 in (11.2 cm)
Package 1 Width	3.62 in (9.2 cm)
Package 1 Length	8.66 in (22 cm)
Package 1 Weight	9.08 lb(US) (4.118 kg)
Unit Type of Package 2	S02
Number of Units in Package 2	2
Package 2 Height	5.91 in (15 cm)
Package 2 Width	11.81 in (30 cm)
Package 2 Length	15.75 in (40 cm)
Package 2 Weight	19.16 lb(US) (8.691 kg)
Unit Type of Package 3	S03
Number of Units in Package 3	2
Package 3 Height	11.81 in (30 cm)
Package 3 Width	11.81 in (30 cm)
Package 3 Length	15.75 in (40 cm)
Package 3 Weight	19.73 lb(US) (8.949 kg)

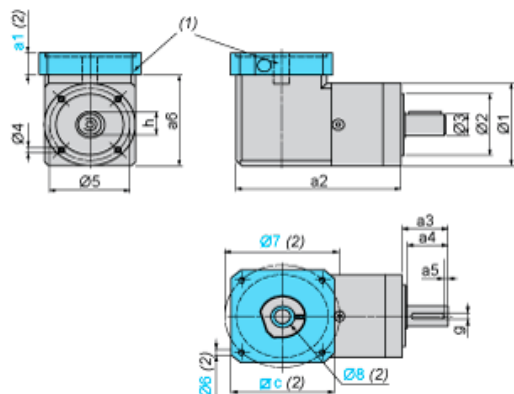
Offer Sustainability

Sustainable offer status	Green Premium product
California proposition 65	WARNING: This product can expose you to chemicals including: Lead and lead compounds, which is known to the State of California to cause cancer and birth defects or other reproductive harm. For more information go to www.P65Warnings.ca.gov
REACH Regulation	REACH Declaration
EU RoHS Directive	Pro-active compliance (Product out of EU RoHS legal scope)
Mercury free	Yes
China RoHS Regulation	China RoHS Declaration
RoHS exemption information	Yes
Environmental Disclosure	Product Environmental Profile
Circularity Profile	No need of specific recycling operations
PVC free	Yes

Contractual warranty

Warranty	18 months
----------	-----------

Dimensions with Servo Motor Adaptation Kit



- (1) GBK adaptation kit
 (2) GBK adaptation kit related dimensions a1, c, Ø6, Ø7, Ø8 depend on the gearbox and servo motor combination
 Ø8 shaft end adaptor in case motor shaft diameter is smaller than gearbox input coupling diameter

Values in mm

a2	a3	a4	a5	h	g	Ø1	Ø2	Ø3	Ø4	Ø5	a6
161.5	40	36	4	22.5	6	80	60 h7	20 h7	M6 x 10	70	88.3

Values in in.

a2	a3	a4	a5	h	g	Ø1	Ø2	Ø3	Ø4	Ø5	a6
6.36	1.57	1.42	0.15	0.88	0.19	3.15	2.36 h7	0.78 h7	M6 x 0.39	2.76	3.48