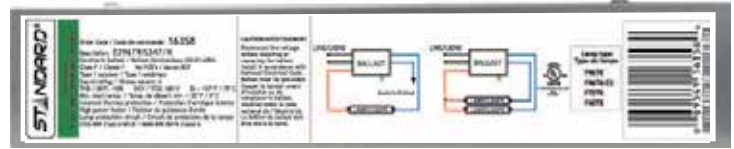


## ORDERING INFORMATION

Order code: 16358  
 Description: E296T8IS347/N  
 UPC: 69549163584



## SPECIFICATIONS

**Ballast type:** Electronic  
**Starting method:** Instant Start  
**Lamp connection:** Parallel  
**Input voltage (V):** 347  
**Input frequency (Hz):** 60  
**Max. case temperature:** 75 °C  
**Thermal protection:** Class P

**Type:** 1 Outdoor  
**Contains PCBs:** No  
**Sound rating:** A  
**Open current voltage (OCV) (V):** 600  
**Inherent thermal protection:** Yes  
**Lamp protection circuit:** Yes  
**ICES-005 Compliant:** Class A RFLD  
**Auto-restrike:** Yes



Lamp type	Number of lamps	Rated lamp watts	Min. start temp. (°F / °C)	Input current (A)	Input power (ANSI watts)	Ballast factor	Max THD (%)	Power factor	Max. lamp current crest factor	B.E.F.
<b>120 VOLTS</b>										
F96T8 (59W)	2	59	32/0	0.32	110	0.90	10	0.99	1.7	0.82
F96T8/ES (57W)	2	57	32/0	0.30	104	0.90	10	0.99	1.7	0.87
F72T8 (38W)	2	38	32/0	0.23	80	0.90	10	0.99	1.7	1.13
F40T8 (40W)	2	40	32/0	0.22	78	0.95	10	0.99	1.7	1.22
F96T8 (59W)	1	59	32/0	0.19	66	1.05	10	0.99	1.7	1.59
F96T8/ES (57W)	1	57	32/0	0.18	63	1.05	10	0.99	1.7	1.67
F72T8 (38W)	1	38	32/0	0.13	45	1.10	20	0.97	1.7	2.44
F40T8 (40W)	1	40	32/0	0.13	46	1.15	20	0.97	1.7	2.50

### WARRANTY:

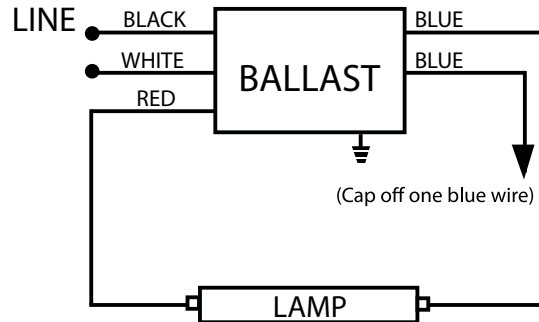
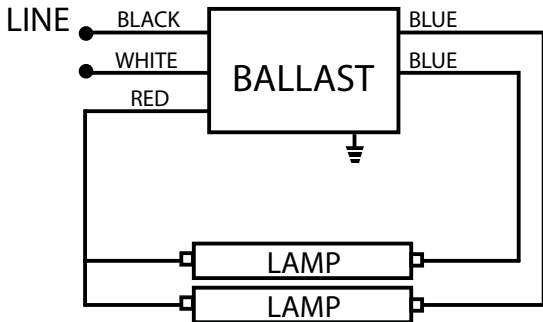
Ballast warranty of 5 years for electronic ballast 75 °C. Ballast warranty of 3 years for electronic ballast 90 °C. For more information visit our website.

Data is based upon tests performed in a controlled environment and representative of relative performance. Actual performance can vary depending on operating conditions. Specifications are subject to change without notice. March 9, 2015

## ORDERING INFORMATION

Order code: 16358  
 Description: E296T8IS347/N  
 UPC: 69549163584

## WIRING DIAGRAM

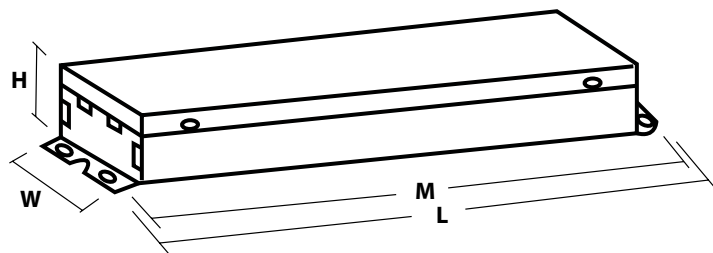


## LEADS LENGTH

Black	18.8" (48.0 cm)
White	18.8" (48.0 cm)
Blue	30.9" (78.5 cm)
Red	46.4" (118.0 cm)

## BALLAST DIMENSIONS

Length (L):	9.50" (24.1 cm)
Width (W):	1.70" (4.3 cm)
Height (H):	1.14" (2.9 cm)
Mounting (M):	8.90" (22.6 cm)



## WARRANTY:

Ballast warranty of 5 years for electronic ballast 75 °C. Ballast warranty of 3 years for electronic ballast 90 °C.  
 For more information visit our website.

Data is based upon tests performed in a controlled environment and representative of relative performance.  
 Actual performance can vary depending on operating conditions. Specifications are subject to change without notice.  
 March 9, 2015