

# XPEB310

Single foot switch, Harmony XPE, plastic, blue, with cover, 1 step, 1 contact 1NC+NO, IP66



## Main

Range of Product	Harmony XPE
Product or Component Type	Foot switch
Material	Plastic
Foot switch type	Single foot switch
Device short name	XPEB
Provided Equipment	Cover
Trigger mechanism	Without trigger mechanism
Contact operation	1 step
Contacts type and composition	1 NC + 1 NO
Color	Blue

## Complementary

Positive opening	With EN/IEC 60947-5-1 appendix K
Connections - terminals	Screw clamp terminal, $\leq 1 \times 2.5 \text{ mm}^2$ with or without cable end Screw clamp terminal, $\leq 2 \times 1.5 \text{ mm}^2$ with or without cable end
Mechanical durability	10000000 cycles
[Ie] rated operational current	3 A, 240 V, AC-15, A300 0.27 A, 250 V, DC-13, Q300 EN/IEC 60947-5-1 appendix A
[Ui] rated insulation voltage	500 V 3)EN/IEC 60947-1 500 V 3)NF C 20-040 group C 500 V 3)VDE 0110 group C 300 VUL 508 300 VCSA C22.2 No 14
[Uimp] rated impulse withstand voltage	6 kV EN/IEC 60947-1
Maximum resistance across terminals	25 MOhm IEC 60255-7 category 3 25 MOhm NF C 93-050 method A
Short-circuit protection	10 A cartridge fuse gG EN/IEC 60947-5-1 10 A cartridge fuse gG VDE 0660-200
Rated operational power in W	10 W DC-13 60 cyc/mn, 5000000 cycles, 24 V 0.5 EN/IEC 60947-5-1 appendix C 4 W DC-13 60 cyc/mn, 5000000 cycles, 120 V 0.5 EN/IEC 60947-5-1 appendix C 7 W DC-13 60 cyc/mn, 5000000 cycles, 48 V 0.5 EN/IEC 60947-5-1 appendix C
Net Weight	1.52 lb(US) (0.69 kg)

## Environment

Standards	NF E 09-031
Product Certifications	UL[RETURN]CSA
Protective treatment	TH
Ambient Air Temperature for Operation	-13...158 °F (-25...70 °C)
Ambient Air Temperature for Storage	-40...158 °F (-40...70 °C)
Vibration resistance	5 gn 10...500 Hz)IEC 60068-2-6
Shock resistance	30 gn IEC 60068-2-27
Overvoltage category	Class II EN/IEC 61140 Class II NF C 20-030
IP degree of protection	IP66 conforming to IEC 60529

The information provided in this documentation contains general descriptions and/or technical characteristics of the performance of the products contained herein. This documentation is not intended as a substitute for and is not to be used for determining suitability or reliability of these products for specific user applications. It is the duty of any such user or integrator to perform the appropriate and complete risk analysis, evaluation and testing of the products with respect to the relevant specific application or use thereof. Neither Schneider Electric Industries SAS nor any of its affiliates or subsidiaries shall be responsible or liable for misuse of the information contained herein.

## Packing Units

Unit Type of Package 1	PCE
Number of Units in Package 1	1
Package 1 Height	7.28 in (18.500 cm)
Package 1 Width	7.28 in (18.500 cm)
Package 1 Length	11.42 in (29.000 cm)
Package 1 Weight	33.93 oz (962.000 g)
Unit Type of Package 2	S04
Number of Units in Package 2	6
Package 2 Height	11.81 in (30.000 cm)
Package 2 Width	15.75 in (40.000 cm)
Package 2 Length	23.62 in (60.000 cm)
Package 2 Weight	14.54 lb(US) (6.595 kg)
Unit Type of Package 3	P06
Number of Units in Package 3	24
Package 3 Height	29.53 in (75.000 cm)
Package 3 Width	23.62 in (60.000 cm)
Package 3 Length	31.50 in (80.000 cm)
Package 3 Weight	82.00 lb(US) (37.196 kg)

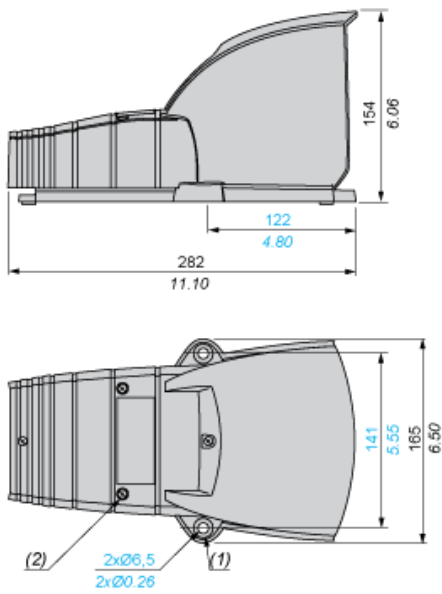
## Offer Sustainability

Sustainable offer status	Green Premium product
REACH Regulation	<a href="#">REACH Declaration</a>
EU RoHS Directive	Pro-active compliance (Product out of EU RoHS legal scope)
Mercury free	Yes
China RoHS Regulation	<a href="#">China RoHS Declaration</a>
RoHS exemption information	<a href="#">Yes</a>
Environmental Disclosure	<a href="#">Product Environmental Profile</a>
Circularity Profile	No need of specific recycling operations
WEEE	The product must be disposed on European Union markets following specific waste collection and never end up in rubbish bins.

Plastic Foot Switch with Protective Cover

Dimensions

$\frac{\text{mm}}{\text{in.}}$



- (1) Ø 16 x 4 counterbored hole.
- (2) 4 cover fixing screws: stainless steel. Tightening torque: 1 N.m.

---

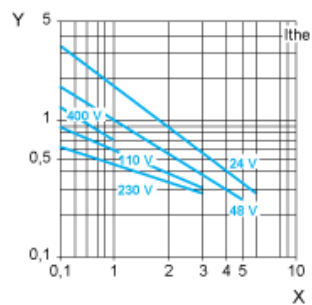
Electrical Durability of Contacts

---

AC-15 Utilization Category

Operating rate: 3600 operating cycles/hour. Load factor: 0.5.

Inductive circuit:



X Current in A

Y Millions of operating cycles

DC-13 Utilization Category

Refer to the product characteristic "Operational power in W".