

## ORDERING INFORMATION

Order code: 31526  
 Description: E22642-120-277-A-TDE FLX  
 UPC: 69549315266



## SPECIFICATIONS

Ballast type: Electronic  
 Starting method: Program Start  
 Lamp connection: Series  
 Input voltage (V): 120-277 V  
 Input frequency (Hz): 50/60 HZ  
 Max. case temperature: 90 °C  
 Thermal protection: Class P  
 Type: 1 Outdoor  
 Contains PCBs: No  
 Sound rating: A  
 Open current voltage (OCV) (V): 550  
 Inherent thermal protection: Yes  
 Lamp protection circuit: Yes  
 ICES-005 Compliant: Class A RFLD



Lamp Type:	Number of lamps	Rated lamp watts	Min. start temp. (°F / °C)	Input current (A)	Input power (ANSI watts)	Ballast factor	Max THD (%)	Power factor	Max. lamp current crest factor	B.E.F.
<b>120 VOLTS</b>										
PL42/TTT (42W)	2	42	-22/-30	0.72	88	0.92	10	0.99	1.7	1.05
PL32/TTT (32W)	2	32	-22/-30	0.55	66	0.96	10	0.99	1.7	1.45
PL26/TTT (26W)	2	26	-22/-30	0.46	56	1.07	10	0.98	1.7	1.91
PL40/TTL (40W)	2	40	-22/-30	0.66	79	0.85	10	0.99	1.7	1.08
PL39/TTL (39W)	2	39	-22/-30	0.54	64	0.67	10	0.99	1.7	1.05
PL36/TTL (36W)	2	36	-22/-30	0.51	62	0.91	10	0.99	1.7	1.47
PL27/TTL (27W)	2	27	-22/-30	0.38	47	0.98	15	0.98	1.7	2.09
PL57/TTT (57W)	1	57	-22/-30	0.49	60	0.95	10	0.99	1.7	1.58
PL42/TTT (42W)	1	42	-22/-30	0.38	45	0.99	15	0.98	1.7	2.20
PL32/TTT (32W)	1	32	-22/-30	0.30	35	0.99	20	0.98	1.7	2.83
PL26/TTT (26W)	1	26	-22/-30	0.24	28	1.00	30	0.97	1.7	3.57
PL55/TTL (55W)	1	55	-22/-30	0.36	43	0.67	20	0.98	1.7	1.56
PL50/TTL (50W)	1	50	-22/-30	0.39	47	0.88	20	0.99	1.7	1.87
PL40/TTL (40W)	1	40	-22/-30	0.36	42	0.91	20	0.98	1.7	2.17
PL39/TTL (39W)	1	39	-22/-30	0.30	35	0.67	25	0.98	1.7	1.91
PL36/TTL (36W)	1	36	-22/-30	0.28	33	0.89	25	0.98	1.7	2.70
2D (38W)	1	38	-22/-30	0.34	40	0.89	20	0.98	1.7	2.23

### WARRANTY:

Ballast warranty of 5 years for electronic ballast 70-75 °C. Ballast warranty of 3 years for electronic ballast 90 °C. For more information visit our website.

Data is based upon tests performed in a controlled environment and representative of relative performance. Actual performance can vary depending on operating conditions. Specifications are subject to change without notice. March 30, 2015

## ORDERING INFORMATION

Order code: 31526  
 Description: E22642-120-277-A-TDE FLX  
 UPC: 69549315266

Lamp Type:	Number of lamps	Rated lamp watts	Min. start temp. (°F / °C)	Input current (A)	Input power (ANSI watts)	Ballast factor	Max THD (%)	Power factor	Max. lamp current crest factor	B.E.F.
<b>230 VOLTS</b>										
PL42/TTT (42W)	2	42	-22/-30	0.38	88	0.92	10	0.98	1.7	1.05
PL32/TTT (32W)	2	32	-22/-30	0.29	67	0.96	15	0.98	1.7	1.43
PL26/TTT (26W)	2	26	-22/-30	0.25	56	1.07	20	0.97	1.7	1.91
PL40/TTL (40W)	2	40	-22/-30	0.35	80	0.85	10	0.98	1.7	1.06
PL39/TTL (39W)	2	39	-22/-30	0.29	65	0.67	15	0.98	1.7	1.03
PL36/TTL (36W)	2	36	-22/-30	0.28	63	0.91	15	0.98	1.7	1.44
PL27/TTL (27W)	2	27	-22/-30	0.16	47	0.98	20	0.97	1.7	2.09
PL57/TTT (57W)	1	57	-22/-30	0.26	60	0.95	15	0.98	1.7	1.58
PL42/TTT (42W)	1	42	-22/-30	0.20	46	0.99	20	0.97	1.7	2.15
PL32/TTT (32W)	1	32	-22/-30	0.16	36	0.99	25	0.97	1.7	2.75
PL26/TTT (26W)	1	26	-22/-30	0.14	30	1.00	25	0.97	1.7	3.33
PL55/TTL (55W)	1	55	-22/-30	0.19	44	0.67	20	0.98	1.7	1.52
PL50/TTL (50W)	1	50	-22/-30	0.21	48	0.88	20	0.98	1.7	1.83
PL40/TTL (40W)	1	40	-22/-30	0.19	43	0.91	20	0.98	1.7	2.12
PL39/TTL (39W)	1	39	-22/-30	0.16	36	0.67	25	0.97	1.7	1.86
PL36/TTL (36W)	1	36	-22/-30	0.15	34	0.89	25	0.97	1.7	2.62
2D (38W)	1	38	-22/-30	0.17	40	0.89	20	0.97	1.7	2.23
<b>277 VOLTS</b>										
PL42/TTT (42W)	2	42	-22/-30	0.31	88	0.92	15	0.98	1.7	1.05
PL32/TTT (32W)	2	32	-22/-30	0.24	66	0.96	20	0.97	1.7	1.45
PL26/TTT (26W)	2	26	-22/-30	0.21	56	1.07	20	0.97	1.7	1.91
PL40/TTL (40W)	2	40	-22/-30	0.29	80	0.85	15	0.98	1.7	1.06
PL39/TTL (39W)	2	39	-22/-30	0.24	66	0.67	20	0.97	1.7	1.02
PL36/TTL (36W)	2	36	-22/-30	0.23	64	0.91	20	0.97	1.7	1.42
PL27/TTL (27W)	2	27	-22/-30	0.15	47	0.98	30	0.96	1.7	2.09
PL57/TTT (57W)	1	57	-22/-30	0.19	60	0.95	20	0.97	1.7	1.58
PL42/TTT (42W)	1	42	-22/-30	0.18	48	0.99	30	0.96	1.7	2.06
PL32/TTT (32W)	1	32	-22/-30	0.13	36	0.99	30	0.96	1.7	2.75
PL26/TTT (26W)	1	26	-22/-30	0.13	31	1.00	35	0.95	1.7	3.23
PL55/TTL (55W)	1	55	-22/-30	0.16	44	0.67	30	0.96	1.7	1.52
PL50/TTL (50W)	1	50	-22/-30	0.18	48	0.88	30	0.96	1.7	1.83
PL40/TTL (40W)	1	40	-22/-30	0.17	44	0.91	30	0.96	1.7	2.07
PL39/TTL (39W)	1	39	-22/-30	0.14	36	0.67	35	0.95	1.7	1.86
PL36/TTL (36W)	1	36	-22/-30	0.13	35	0.89	35	0.95	1.7	2.54
2D (38W)	1	38	-22/-30	0.15	40	0.89	30	0.96	1.7	2.23

### WARRANTY:

Ballast warranty of 5 years for electronic ballast 70-75 °C. Ballast warranty of 3 years for electronic ballast 90 °C.  
 For more information visit our website.

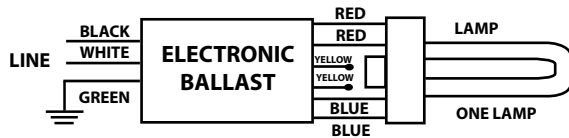
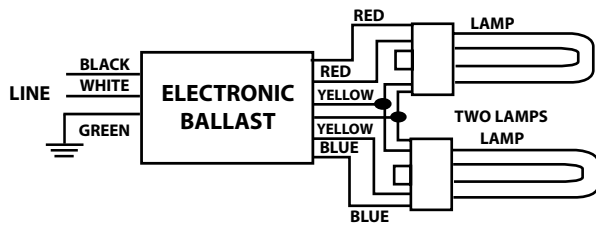
Data is based upon tests performed in a controlled environment and representative of relative performance.  
 Actual performance can vary depending on operating conditions. Specifications are subject to change without notice.

March 30, 2015

## ORDERING INFORMATION

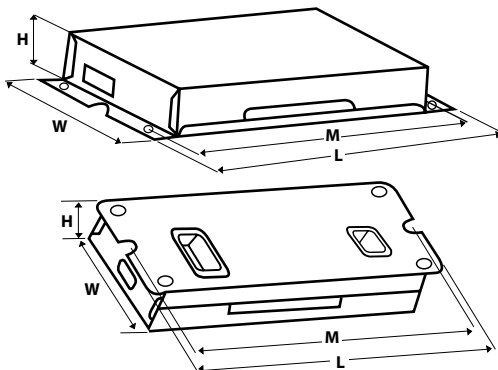
Order code: 31526  
 Description: E22642-120-277-A-TDE FLX  
 UPC: 69549315266

## WIRING DIAGRAM



## BALLAST DIMENSIONS

Length (L):	5.00" (12.7 cm)
Width (W):	3.00" (7.7 cm)
Height (H):	1.34" (3.4 cm)
Mounting (M):	4.60" (11.7 cm)



### WARRANTY:

Ballast warranty of 5 years for electronic ballast 70-75 °C. Ballast warranty of 3 years for electronic ballast 90 °C. For more information visit our website.

Data is based upon tests performed in a controlled environment and representative of relative performance. Actual performance can vary depending on operating conditions. Specifications are subject to change without notice.  
 March 30, 2015