

STBAVO1250K

analog output kit, Modicon STB, standard, +/- 10V, 2 O, 12bits



Main

Range of Product	Modicon STB distributed I/O solution
Product or Component Type	Standard analog output kit
Kit composition	STBXTS1100, 6-terminal screw type connector STBXTS2100, 6-terminal spring clamp connector STBAVO1250 module STBXBA1000 base
Analogue output type	Voltage +/- 10 V Voltage 0...10 V
Analogue output number	2
Analogue output resolution	11 bits + sign, +/- 10 V 12 bits, 0...10 V

Complementary

Analogue output current	0.005 A
Response Time	3 ms
Cold swapping	Yes
Hot swapping	Yes for standard NIMs
Fallback	State 0 basic NIMs User configurable standard NIMs
Data format	EN 61131-2 IEC 61131-2
Update time	25 ms
Protection Type	Short-circuit protection
Integral linearity	+/- 0.1 %FS
Differential linearity	Monotonic
Absolute accuracy error	+/- 0.5 % of full scale 77 °F (25 °C)
Temperature Drift	+/-0.01 %/°C
Insulation between channels and logic bus	1500 V for 1 minute
Insulation between channels and actuator bus	30 V
Addressing requirement	2 non-adjacent input bytes (module and channel status diagnostics) 2 output words
Product Compatibility	Power distribution module STBPDT3100/3105 Mounting base STBXBA1000
[Us] rated supply voltage	24 V DC
Supply	Power distribution module
Current consumption	45 mA 5 V DC logic bus
Marking	CE
Overvoltage category	II
Status LED	1 LED (Green) module status (RDY) 1 LED (Red) module error (ERR)
Depth	2.76 in (70 mm)
Height	0.55 in (13.9 mm)
Width	5.05 in (128.3 mm)
Net Weight	0.26 lb(US) (0.116 kg)

The information provided in this documentation contains general descriptions and/or technical characteristics of the performance of the products contained herein. This documentation is not intended as a substitute for and is not to be used for determining suitability or reliability of these products for specific user applications. It is the duty of any such user or integrator to perform the appropriate and complete risk analysis, evaluation and testing of the products with respect to the relevant specific application or use thereof. Neither Schneider Electric Industries SAS nor any of its affiliates or subsidiaries shall be responsible or liable for misuse of the information contained herein.

Environment

Product Certifications	UL[RETURN]CSA[RETURN]FM Class 1 Division 2
Pollution degree	2 IEC 60664-1
Operating altitude	<= 6561.68 ft (2000 m)
IP degree of protection	IP20 conforming to IEC 61131-2 class 1
Ambient air temperature for operation	32...140 °F (0...60 °C) without
Ambient air temperature for operation	32...140 °F without
Ambient air temperature for storage	-40...185 °F (-40...85 °C) without
Ambient air temperature for storage	-40...185 °F without
Relative humidity	95 % 140 °F (60 °C) without condensation
Vibration resistance	3 gn 58...150 Hz 35 x 7.5 mm symmetrical DIN rail 5 gn 58...150 Hz 35 x 15 mm symmetrical DIN rail +/-0.35 mm 10...58 Hz
Shock resistance	30 gn 11 ms IEC 88 reference 2-27

Ordering and shipping details

Category	18215-ADVANTYS STB I/O
Discount Schedule	PC32
GTIN	3595863948967
Returnability	No
Country of origin	ID

Packing Units

Unit Type of Package 1	PCE
Number of Units in Package 1	1
Package 1 Height	0.98 in (2.5 cm)
Package 1 Width	3.15 in (8.0 cm)
Package 1 Length	5.12 in (13.0 cm)
Package 1 Weight	4.83 oz (137.0 g)
Unit Type of Package 2	S02
Number of Units in Package 2	28
Package 2 Height	5.91 in (15.0 cm)
Package 2 Width	11.81 in (30.0 cm)
Package 2 Length	15.75 in (40.0 cm)
Package 2 Weight	9.40 lb(US) (4.262 kg)
Unit Type of Package 3	PAL
Number of Units in Package 3	448
Package 3 Height	23.62 in (60.0 cm)
Package 3 Width	31.50 in (80.0 cm)
Package 3 Length	176.38 in (448.0 cm)
Package 3 Weight	135.31 lb(US) (61.376 kg)

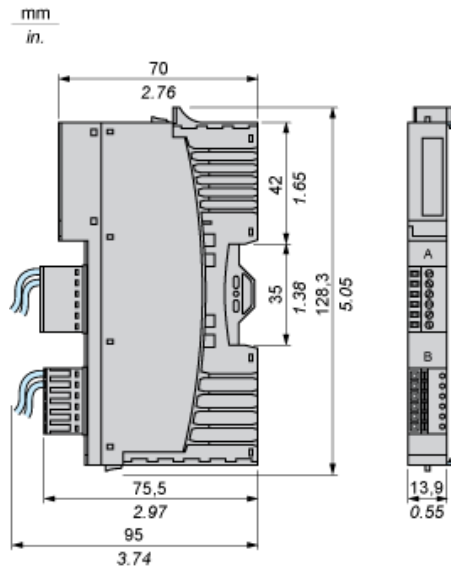
Offer Sustainability

California proposition 65	WARNING: This product can expose you to chemicals including: Lead and lead compounds, which is known to the State of California to cause cancer and birth defects or other reproductive harm. For more information go to www.P65Warnings.ca.gov
REACH Regulation	 REACH Declaration
EU RoHS Directive	Pro-active compliance (Product out of EU RoHS legal scope)
Mercury free	Yes
China RoHS Regulation	 China RoHS Declaration
RoHS exemption information	 Yes
WEEE	The product must be disposed on European Union markets following specific waste collection and never end up in rubbish bins.

Contractual warranty

Warranty	18 months
----------	-----------

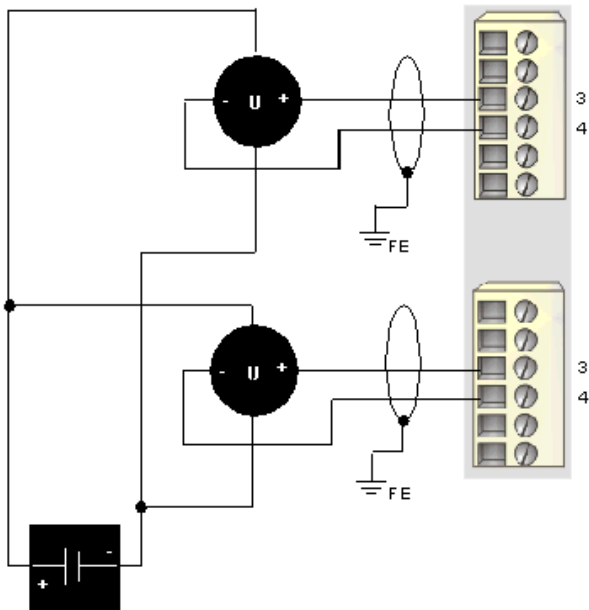
Dimensions



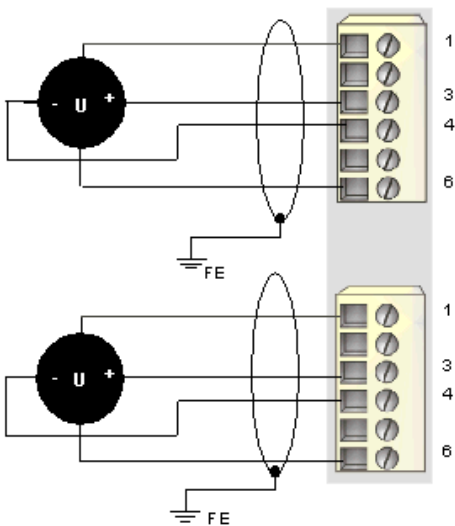
Wiring Diagrams

Examples

2 isolated analog actuators, external 24 VDC power supply



2 non-isolated analog actuators, 24 VDC supplied by the PDM



Pin	Top Connections	Bottom Connections
1	+24 VDC from the island's field power bus for field device accessories	+24 VDC from the island's field power bus for field device accessories
2	no connection	no connection
3	output to actuator 1	output to actuator 2
4	output channel return	output channel return
5	no connection	no connection
6	field power return (to the module)	field power return (to the module)