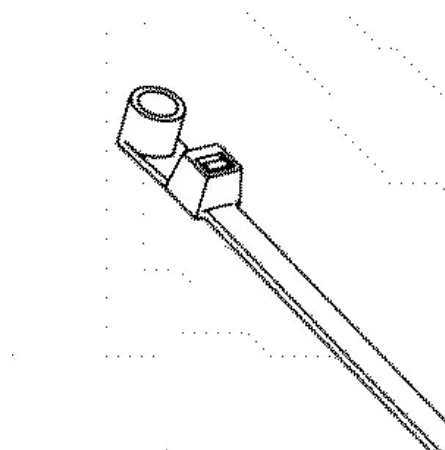




# CT50400MH10C, Cable Tie, 4" Max Bundle, 50 Lb Tensile, Natural, Screw Mount

By Burndy  
Catalog # [CT50400MH10C](#)

Nylon cable ties, Tensile strength-50 Lbs, Color- Natural, 14.50"L, 0.17"W, 04.00" Bundle Dia.



## Features

Mounting Hole

## General

Catalog Number	CT50400MH10C
Color	Natural
Material	NYLON 6/6
Mounting Method	Screw
Operating Temperature Celcius Max	85 °C
Operating Temperature Celcius Min	-40 °C
Rating - Minimum Tensile Strength lbs	50
Trade Name	UNIRAP™
UPC	781810335284

## Dimensions

Dimension - Bundle Diameter Max inch	4
Dimension - L Length Overall mm	368 mm
Dimension - Length Overall inch	14.50 in
Dimension - Screw Size inch	#10
Dimension - Width inch	0.18 in

Dimension - Width mm 5 mm

## Certifications And Compliance

Certification - 94V0 Rated	N
Certification - CSA Approved	No
Certification - ETL	No
Certification - UL Recognized	No
Certification - UV Rated	No
Certification - cULus	No
Standards - RoHS Compliance Status	CM
UL Listed	No

## Logistics

Carton Quantity	1000
Minimum Pack Quantity	1000
Packaging Type	Bag

## Product Assets

- [Catalogs - BURNDY Master Catalog - Full Line BURNDY Catalog](#)
- [Catalogs - BURNDY Master Catalog - Section G - Wire Management](#)
- [Interactive Catalog - BURNDY Full-Line Digital Catalog](#)
- [Product Cross Section Image\(s\) - BUR\\_CT\\_MH\\_UNIRAP\\_CABLE\\_TIE\\_LineArt](#)
- [Sales Drawings - 50080813](#)
- [Specifications - CT50400MH10C](#)