

IE-FCM-USB-A

Weidmüller Interface GmbH & Co. KG
Klingenbergstraße 26
D-32758 Detmold
Germany

www.weidmueller.com



Service interface FrontCom[®] Micro with USB in IP65

General ordering data

Version	FrontCom Micro USB coupling, USB 2.0, Type A
Order No.	1018840000
Type	IE-FCM-USB-A
GTIN (EAN)	4032248730094
Qty.	10 pc(s).

Creation date November 26, 2024 11:50:17 AM CET

Catalogue status 26.11.2024 / We reserve the right to make technical changes.

IE-FCM-USB-A

Weidmüller Interface GmbH & Co. KG

Klingenbergstraße 26

D-32758 Detmold

Germany

www.weidmueller.com

Technical data

Dimensions and weights

Wall thickness, min.	1 mm	Wall thickness, max.	5 mm
Net weight	16.915 g		

Temperatures

Operating temperature	-40 °C...70 °C
-----------------------	----------------

General Info

Connection 1	USB A	Connection 2	USB A
Description of article	FrontCom Micro USB coupling, USB 2.0	Wiring	Type A
Colour	black	Housing main material	PA UL 94 V0
Type of mounting	Cabinet, Distribution box	Shielding	360° shield contact
Protection degree	IP65, in closed state	Plugging cycles	≥ 1500

General standards

Certificate no. (cULus)	E316369	Connector standard	IEC 61076-3-107
-------------------------	---------	--------------------	-----------------

Classifications

ETIM 6.0	EC001031	ETIM 7.0	EC001031
ETIM 8.0	EC001031	ETIM 9.0	EC001031
ECLASS 9.0	27-18-27-02	ECLASS 9.1	27-18-27-90
ECLASS 10.0	27-18-27-02	ECLASS 11.0	27-18-27-02
ECLASS 12.0	27-18-28-92	ECLASS 13.0	27-18-28-92
ECLASS 14.0	27-18-28-92		

Environmental Product Compliance

RoHS Compliance Status	Compliant without exemption
REACH SVHC	No SVHC above 0.1 wt%

Approvals

Approvals



ROHS	Conform
UL File Number Search	UL Website
Certificate no. (cULus)	E316369

IE-FCM-USB-A

Weidmüller Interface GmbH & Co. KG
Klingenbergstraße 26
D-32758 Detmold
Germany

www.weidmueller.com

Technical data**Downloads**

Approval/Certificate/Document of Con-
formity

[DUXR.E316369](#)

Engineering Data

[CAD data – STEP](#)

Product Change Notification

[Technical change of the housing of the FrontCom® Micro](#)
[Technische Änderung des Gehäuses der FrontCom® Micro](#)

User Documentation

[MAN IE GUIDE DE](#)
[MAN IE GUIDE EN](#)
[Manual](#)

Catalogues

[Catalogues in PDF-format](#)

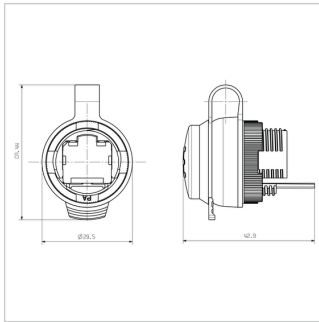
Brochures

[FL FIELDWIRING EN](#)
[PI PROFINET CABLING EN](#)
[PI PROFINET CABLING EN](#)

IE-FCM-USB-A

Weidmüller Interface GmbH & Co. KG
Klingenbergstraße 26
D-32758 Detmold
Germany

www.weidmueller.com

Drawings**Dimensioned drawing****Installation cut-out**