

Snipe Nose Side Cutting Pliers (stork beak pliers)


DIN ISO 5745



26 11 200 


polished head, plastic-coated handles



26 12 200 

polished head, handles with multi-component covers




26 18 200 US 

polished head, VDE-tested handles insulated with multi-component covers

IEC 60900DIN EN 60900



26 21 200 

polished head, plastic-coated handles



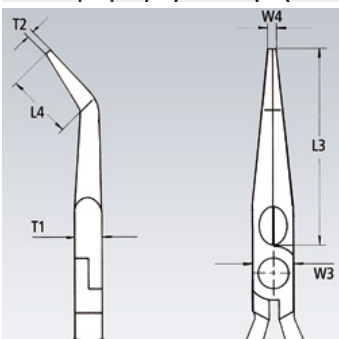
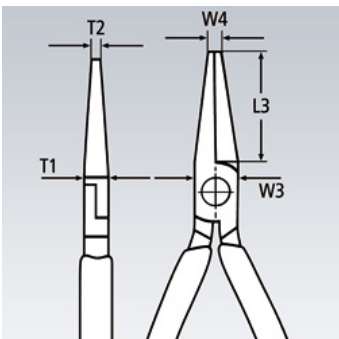
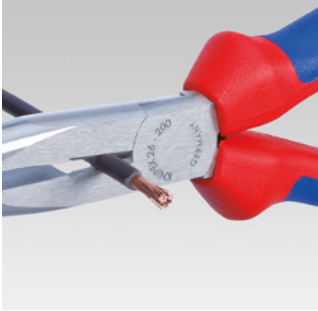
26 22 200 

polished head, handles with multi-component covers



- Description
- Applications
- Technical design

- Elastic tips: stable even when twisted
- distortion-tolerant, elastic precision tips
- half-round, long, pointed jaws
- with additionally hardened cutting edges (hardness approx. 61 HRC) for soft, medium-hard and hard wire
- Vanadium electric steel; forged, oil-hardened



Product Number	EAN 4003773-	Ø mm	Ø mm	L3 mm	L4 mm	T1 mm	W3 mm	W4 mm	T2 mm	mm	g
----------------	-----------------	------	------	----------	----------	----------	----------	----------	----------	----	---

26 11 200	022824	3,20	2,20	73,00		9,50	17,50	3,00	2,50	200	170
26 11 200 S											
26 12 200	023142	3,20	2,20	73,00		9,50	17,50	3,00	2,50	200	201
26 18 200 US	02527	3,20	2,20	73,00		9,50	17,50	3,00	2,50	200	206
26 21 200	022848	3,20	2,20	73,00	23,00	9,50	17,50	3,00	2,50	200	171
26 22 200	023135	3,20	2,20	73,00	23,00	9,50	17,50	3,00	2,50	200	197

technical change and errors excepted